

SERVICE MANUAL

AA-2D CHASSIS

<i>MODEL</i>	<i>DEST.</i>	<i>COMMANDER</i>	<i>CHASSIS NO.</i>
KV-32S42	US	RM-Y168	SCC-S07U-A
KV-32S42	CND	RM-Y168	SCC-S08R-A
KV-32S66	US	RM-Y169	SCC-S07V-A
KV-32S66	CND	RM-Y169	SCC-S08S-A
KV-32V42	US	RM-Y168	SCC-S07W-A
KV-35S42	US	RM-Y168	SCC-S07R-A
KV-35S42	CND	RM-Y168	SCC-S07P-A
KV-35S66	US	RM-Y169	SCC-S07S-A
KV-35S66	CND	RM-Y169	SCC-S08Q-A
KV-35V42	US	RM-Y168	SCC-S07T-A



KV-35V42



RM-Y168

TRINITRON® COLOR TV
SONY

SPECIFICATIONS

	KV-32S42	KV-32S66	KV-32V42	KV-35S42	KV-35S66	KV-35V42
Power requirements	120V,60Hz	120V,60Hz	120V,60Hz	120V,60Hz	120V,60Hz	120V,60Hz
Number of inputs/outputs						
Video ¹⁾	1	2	3	2	2	3
S Video ²⁾	1	1	1	1	1	2
Audio ³⁾	1	2	3	2	2	3
Audio Out ⁴⁾	1	1	1	1	1	1
Monitor Out	-	-	1	-	-	1
S-Link	-	3	-	-	3	-
Speaker output(W)	5W x 2	5W x 2	5W x 2	5W x 2	5W x 2	5W x 2
Power Consumption(W)						
In use(Max)	180W	180W	180W	210W	210W	210W
In standby	2W	2W	2W	2W	2W	2W
Dimensions(W/H/D)						
(mm)	791 x 707 x 604.5mm	791 x 707 x 604.5mm	821 x 675.3 x 587 mm	870 x 761x 653 mm	870 x 761x 653 mm	920 x 730.8x 641.8 mm
(in)	31 x 27 13/16 x 23 3/4 in	31 x 27 13/16 x 23 3/4 in	32 3/8 x 26 5/8 x 23 1/8 in	34 1/4 x 30 x 25 5/8 in	34 1/4 x 30 x 25 5/8 in	36 3/4 x 28 3/4 x 25 1/4 in
Mass						
(kg)	65 kg	65 kg	70 kg	83 kg	83 kg	90 kg
(lbs)	143 lbs	143 lbs	154 lbs	183 lbs	183 lbs	203 lbs

Television system

American TV standard, NTSC

Channel coverage

VHF:2-13/UHF:14-69/CATV:1-125

Picture tube

Trinitron® tube

Visible screen size

32-inch picture measured diagonally
(KV-32S42/32S66/32V42)

35-inch picture measured diagonally
(KV-35S42/35S66/35V42)

Actual screen size

34-inch picture measured
(KV-32S42/32S66/32V42)

37-inch picture measured
(KV-35S42/35S66/35V42)

Antenna

75 ohm external terminal for VHF/UHF

Supplied Accessories

RM-Y168 (KV-32S42/32V42/35S42/35V42)

RM-Y169 (KV-32S66/35S66)

Batteries size AA (R6) (2)

Optional Accessories

A/V Cable VMC-810/820/830HG

Audio Cable RKC-515HG

S-Link Cable RK-G69HG

S Video Cable YC-15/30HG

TV Stand SU-32A4, SU-35A4

Design and specifications are subject to change without notice.

¹⁾ 1 Vp-p 75 ohms unbalanced, sync negative

²⁾ Y: 1 Vp-p 75 ohms unbalanced, sync negative

C: 0.286 Vp-p (Burst signal), 75 ohms

³⁾ 500 mVrms (100% modulation), Impedance: 47 kilohms

⁴⁾ More than 408 mVrms at the maximum volume setting (variable)

More than 408 mVrms (fix)

Impedance (output): 2 kilohms

(●) SRS (SOUND RETRIEVAL SYSTEM)

The (●) SRS (SOUND RETRIEVAL SYSTEM) is manufactured by Sony Corporation under license from SRS Labs, Inc. It is covered by U.S. Patent No. 4,748,669. Other U.S. and foreign patents pending.

The word 'SRS' and the SRS symbol (●) are registered trademarks of SRS Labs, Inc.

BBE and BBE symbol are trademarks of BBE Sound, Inc. and are licensed by BBE Sound, Inc. under U.S. Patent No. 4,638,258 and 4,482,866.

TABLE OF CONTENTS

<i>Section</i>	<i>Title</i>	<i>Page</i>	<i>Section</i>	<i>Title</i>	<i>Page</i>
	Safety Check-Out	4	6. DIAGRAMS		
1. GENERAL			6-1. Block Diagram (KV-32S42/35S42 ONLY)		23
	Connecting and Installing the TV	5	6-2. Block Diagram		27
	Operating Video Equipment	7		(KV-32S66/32V42/35S66/35V42 ONLY)	
	Operating a Cable Box or Satellite Receiver	8	6-3. Circuit Boards Location		34
	Troubleshooting	8	6-4. Printed Wiring Boards and Schematic Diagrams		34
2. DISASSEMBLY			• A Board		35
2-1. Rear Cover Removal		9	• AV Board		48
2-2. Chassis Assembly Removal		9	• B Board		48
2-3. Service Position		10	• C Board		51
2-4. Control Switch Removal		10	• G Board		52
2-5-1. Picture Tube Removal (32")		11	• HV Board		55
2-5-2. Picture Tube Removal (35")		11	• HS Board		55
3. SET-UP ADJUSTMENTS			• P Board		56
3-1. Beam Landing		12	• WB Board		57
3-2. Convergence		13	• WA Board		58
3-3. Focus		14	• UV Board		59
3-4. Screen (G2)		14	6-5. Semiconductors		63
3-5. White Balance Adjustments		14	7. EXPLODED VIEWS		
4. SAFETY RELATED ADJUSTMENTS			7-1. Chassis (KV-32S42 ONLY)		64
4-1. <input checked="" type="checkbox"/> R530, R531 Confirmation Method		15	7-2. Chassis (KV-32S66 ONLY)		65
	(Hold-down Confirmation and Readjustments)		7-3. Chassis (KV-32V42 ONLY)		66
4-2. B+ Voltage and Confirmation Method		15	7-4. Chassis (KV-35S42 ONLY)		67
5. CIRCUIT ADJUSTMENTS		16	7-5. Chassis (KV-35S66 ONLY)		68
			7-6. Chassis (KV-35V42 ONLY)		69
			8. ELECTRICAL PARTS LIST		
			• Table of Contents for Parts List		70
			• Parts Listings		71

WARNINGS AND CAUTIONS


CAUTION

SHORT CIRCUIT THE ANODE OF THE PICTURE TUBE AND THE ANODE CAP TO THE METAL CHASSIS, CRT SHIELD, OR CARBON PAINTED ON THE CRT, AFTER REMOVING THE ANODE.

WARNING!!

AN ISOLATION TRANSFORMER SHOULD BE USED DURING ANY SERVICE TO AVOID POSSIBLE SHOCK HAZARD, BECAUSE OF LIVE CHASSIS. THE CHASSIS OF THIS RECEIVER IS DIRECTLY CONNECTED TO THE AC POWER LINE.

SAFETY-RELATED COMPONENT WARNING!!

COMPONENTS IDENTIFIED BY SHADING AND MARK  ON THE SCHEMATIC DIAGRAMS, EXPLODED VIEWS, AND IN THE PARTS LIST ARE CRITICAL FOR SAFE OPERATION. REPLACE THESE COMPONENTS WITH SONY PARTS WHOSE PART NUMBERS APPEAR AS SHOWN IN THIS MANUAL OR IN SUPPLEMENTS PUBLISHED BY SONY. CIRCUIT ADJUSTMENTS THAT ARE CRITICAL FOR SAFE OPERATION ARE IDENTIFIED IN THIS MANUAL. FOLLOW THESE PROCEDURES WHENEVER CRITICAL COMPONENTS ARE REPLACED OR IMPROPER OPERATION IS SUSPECTED.


ATTENTION!!

APRES AVOIR DECONNECTE LE CAP DE L'ANODE, COURT-CIRCUITER L'ANODE DU TUBE CATHODIQUE ET CELUI DE L'ANODE DU CAP AU CHASSIS METALLIQUE DE L'APPAREIL, OU AU COUCHE DE CARBONE PEINTE SUR LE TUBE CATHODIQUE OU AU BLINDAGE DU TUBE CATHODIQUE.

ATTENTION!!

AFIN D'EVITER TOUT RESQUE D'ELECTROCUTION PROVENANT D'UN CHÂSSIS SOUS TENSION, UN TRANSFORMATEUR D'ISOLEMENT DOIT ETRE UTILISÉ LORS DE TOUT DÉPANNAGE. LE CHÂSSIS DE CE RÉCEPTEUR EST DIRECTEMENT RACCORDÉ À L'ALIMENTATION SECTEUR.

ATTENTION AUX COMPOSANTS RELATIFS A LA SECURITE!!

LES COMPOSANTS IDENTIFIES PAR UNE TRAME ET PAR UNE MARQUE  SUR LES SCHEMAS DE PRINCIPE, LES VUES EXPLOSEES ET LES LISTES DE PIECES SONT D'UNE IMPORTANCE CRITIQUE POUR LA SECURITE DU FONCTIONNEMENT. NE LES REMPLACER QUE PAR DES COMPOSANTS SONY DONT LE NUMERO DE PIECE EST INDIQUE DANS LE PRESENT MANUEL OU DANS DES SUPPLEMENTS PUBLIES PAR SONY. LES REGLAGES DE CIRCUIT DONT L'IMPORTANCE EST CRITIQUE POUR LA SECURITE DU FONCTIONNEMENT SONT IDENTIFIES DANS LE PRESENT MANUEL. SUIVRE CES PROCEDURES LORS DE CHAQUE REMPLACEMENT DE COMPOSANTS CRITIQUES, OU LORSQU'UN MAUVAIS FONCTIONNEMENT SUSPECTE.

SAFETY CHECK-OUT

After correcting the original service problem, perform the following safety checks before releasing the set to the customer:

1. Check the area of your repair for unsoldered or poorly soldered connections. Check the entire board surface for solder splashes and bridges.
2. Check the interboard wiring to ensure that no wires are "pinched" or touching high-wattage resistors.
3. Check that all control knobs, shields, covers, ground straps, and mounting hardware have been replaced. Be absolutely certain that you have replaced all the insulators.
4. Look for unauthorized replacement parts, particularly transistors, that were installed during a previous repair. Point them out to the customer and recommend their replacement.
5. Look for parts which, though functioning, show obvious signs of deterioration. Point them out to the customer and recommend their replacement.
6. Check the line cords for cracks and abrasion. Recommend the replacement of any such line cord to the customer.
7. Check the B+ and HV to see if they are specified values. Make sure your instruments are accurate; be suspicious of your HV meter if sets always have low HV.
8. Check the antenna terminals, metal trim, "metallized" knobs, screws, and all other exposed metal parts for AC leakage. Check leakage as described below.

Leakage Test

The AC leakage from any exposed metal part to earth ground and from all exposed metal parts to any exposed metal part having a return to chassis, must not exceed 0.5 mA (500 microamperes). Leakage current can be measured by any one of three methods.

1. A commercial leakage tester, such as the Simpson 229 or RCA WT-540A. Follow the manufacturers' instructions to use these instructions.
2. A battery-operated AC milliammeter. The Data Precision 245 digital multimeter is suitable for this job.
3. Measuring the voltage drop across a resistor by means of a VOM or battery-operated AC voltmeter. The "limit" indication is 0.75 V, so analog meters must have an accurate low voltage scale. The Simpson's 250 and Sanwa SH-63Trd are examples of passive VOMs that are suitable. Nearly all battery-operated digital multimeters that have a 2 VAC range are suitable (see Figure A).

How to Find a Good Earth Ground

A cold-water pipe is a guaranteed earth ground. The cover-plate retaining screw on most AC outlet boxes is also at earth ground. If the retaining screw is to be used as your earth ground, verify that it is at ground by measuring the resistance between it and a cold-water pipe with an ohmmeter. The reading should be zero ohms. If a cold-water pipe is not accessible, connect a 60- to 100-watt trouble-light (not a neon lamp) between the hot side of the receptacle and the retaining screw. Try both slots, if necessary, to locate the hot side on the line; the lamp should light at normal brilliance if the screw is at ground potential (see Figure B).

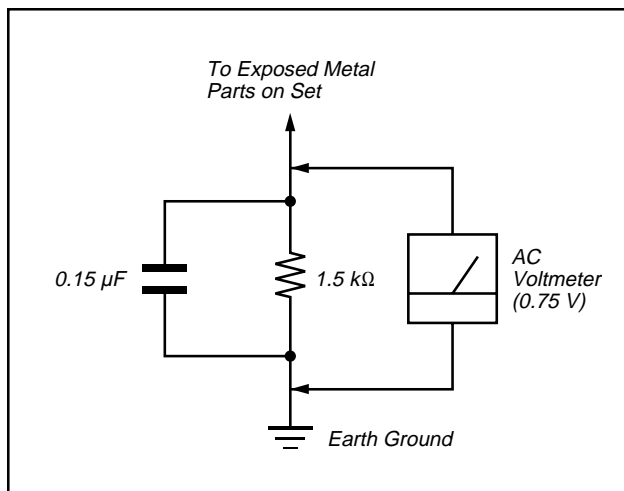


Figure A. Using an AC voltmeter to check AC leakage.

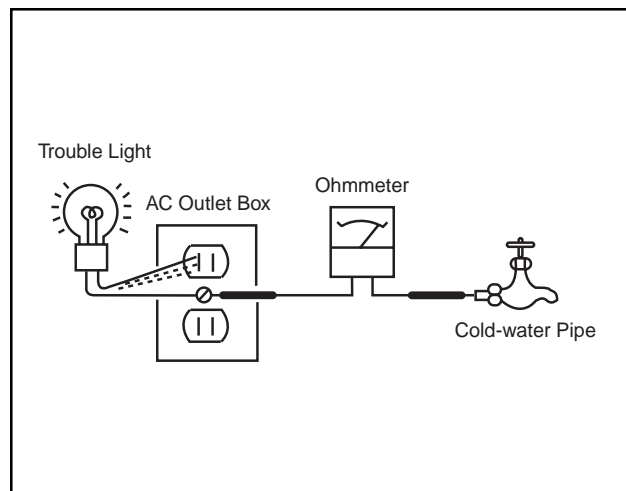


Figure B. Checking for earth ground.

SECTION 1 GENERAL

The instructions mentioned here are partial abstracts from the Operating Instruction Manual. The page numbers shown reflect those of the Operating Instruction Manual.

Welcome

Thank you for purchasing the Sony Trinitron® Color TV. Before reading, check the model number located on the front of this manual.

The menus and illustrations used in these instructions are for KV-35S66. Differences in operation or features will be indicated in the text, for example, "KV-35S86 only."

Model Number	PICTURE (PIP)	SRS	SURROUND	AUTO VOLUME CONTROL
KV-32S42	•	•	•	•
KV-32S66	•	•	•	•
KV-32V42	•	•	•	•
KV-35S42	•	•	•	•
KV-35S66	•	•	•	•
KV-35V42	•	•	•	•

Precautions

Safety

- Operate the TV only with 120 V AC.
- The plug is designed, for safety purposes, to fit in the wall outlet only one way. If you are unable to insert the plug fully into the outlet, contact your dealer.
- If any liquid or solid object should fall inside the cabinet, unplug the TV immediately and have it checked by qualified personnel before operating it further.

Installing

- To prevent internal heat build-up, do not block the ventilation openings.
- Do not install the TV in a hot or humid place, or in a place subject to excessive dust or mechanical vibration.
- The AC power cord is attached to the rear of the TV with hooks. Do not attempt to remove the cord from these hooks. Doing so could cause damage to the TV.

Using This Manual

This manual is divided into five major sections. We recommend that you review the contents before you begin to use your new TV.

- 1 Connecting and Installing the TV**
This section guides you through your initial set up. It shows how to connect your antenna or cable, and connect any accessories.
- 2 Basic Set Up**
This section teaches you the basic skills needed to operate your new TV.
- 3 Using your New TV**
This section shows the initial setup screen and how to use your remote control.
- 4 Using your Menus**
This section teaches you how to access on-screen menus and adjust your TV's settings.
- 5 Troubleshooting**
This section helps you to connect problems you may encounter with your TV.

Connecting and Installing the TV

Making Connections

Refer to the table below, it will direct you to the diagram suitable to the equipment you will be connecting.

If you will be connecting	See page
Cable or antenna only	3
Cable and antenna	3
Cable box	4
Cable box and cable to view scrambled channels	4
VCR and cable or antenna	5
VCR and cable box	5
Two VCRs for tape editing	6
Satellite Receiver	7
VCR and Satellite Receiver	7
DVD Player	8
Audio system	9
Camcorder to view tapes	9
VCR using S-Link	10
Satellite Receiver using S-Link	10

Cable or Antenna Connections Connecting directly to cable or an antenna

The connection you choose will depend on the cable found in your home. Newer homes will be equipped with standard coaxial cable (see **A**); older homes will probably have 300-ohm twin lead cable (see **B**); still other homes may contain both (see **C**).

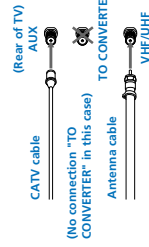
- A** VHF only or VHF/UHF or Cable
- B** VHF only or VHF/UHF
- C** VHF and UHF

Note

In order to receive channels with an antenna, you will need to turn your CABLE to OFF and perform the AUTO PROGRAM function, (see page 23).

Cable and antenna

KV-32S66, 35S66 only
If your cable provider does not feature local channels, you may find this set up convenient.



Select CABLE or antenna (ANT) mode by pressing ANT on the remote control.

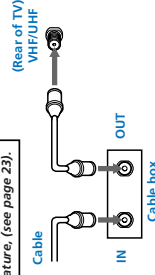
Connecting and Installing the TV (continued)

Cable Box Connections

Some pay cable TV systems use scrambled or encoded signals that require a cable box to view all channels.

Cable box

- Connect the coaxial connector from your cable to the IN on your cable box.
- Using a coaxial cable, connect OUT on your cable box to VHF/UHF on your TV.



If you will be controlling all channel selection through your cable box, you should consider using the CHANNEL FIX feature, (see page 23).

Cable box and cable

KV-32S66, 35S66 only

For this set up, you can switch between scrambled channels (through your cable box), and normal (CATV) channels by pressing ANT on your remote control.

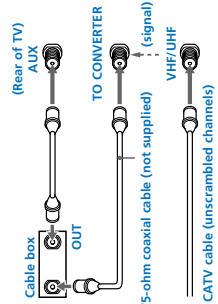
Notes

- Your Sony remote control can be programmed to operate your cable box, (see page 30).
- When using PIP, you cannot view the AUX input in the window picture.

Tip

Pressing ANT switches between these inputs.

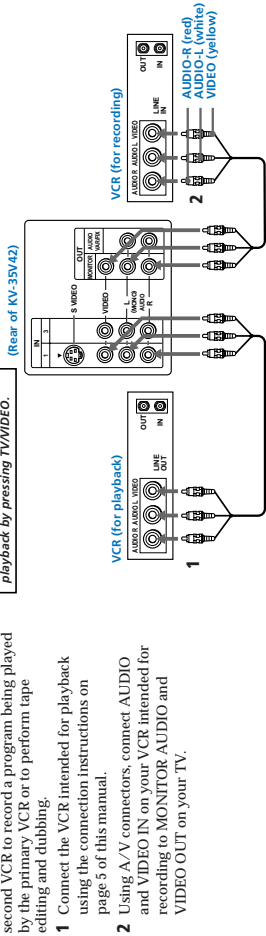
If you are connecting a cable box through the AUX input and would like to switch between the AUX and normal (CATV) input you should consider using the CHANNEL FIX feature, (see page 23).



Connecting and Installing the TV (continued)

Connecting two VCRs for tape editing

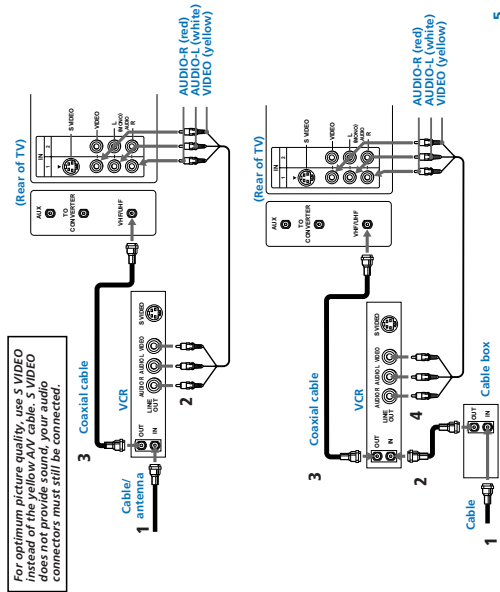
KV-32V42, 35V42 only
 MONITOR OUT gives you the ability to use a second VCR to record a program being played by the primary VCR or to perform tape editing and dubbing.



- 1 Connect the VCR intended for playback and VIDEO IN on your VCR intended for recording to MONITOR AUDIO and VIDEO OUT on your TV.
- 2 Using A/V connectors, connect AUDIO and VIDEO IN on your VCR intended for editing and dubbing.

6

For optimum picture quality, use S VIDEO instead of the yellow AV cable. S VIDEO connectors must still be connected.



- 1 Attach the coaxial connector from your cable or antenna to IN on your VCR.
- 2 Using A/V connectors, connect AUDIO and VIDEO OUT on your VCR to AUDIO and VIDEO IN on your TV.
- 3 Using a coaxial connector, connect OUT on your VCR to VHF/UHF on your TV.

Tip
 If you are connecting a monaural VCR, connect only the single white audio output to the left input on your TV.

Connecting a VCR and TV with a cable box

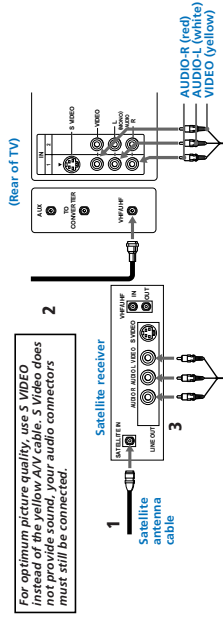
- 1 Connect the coaxial cable from the wall to IN on your cable box.
- 2 Using a coaxial connector, connect OUT on your cable box to IN on your VCR.
- 3 Connect a coaxial cable (not supplied) from the OUT jack on your VCR to VHF/UHF on your TV.
- 4 Using A/V connectors, connect AUDIO and VIDEO OUT on your VCR to AUDIO and VIDEO IN on your TV.

6

Satellite Receiver Connections

Connecting a satellite receiver

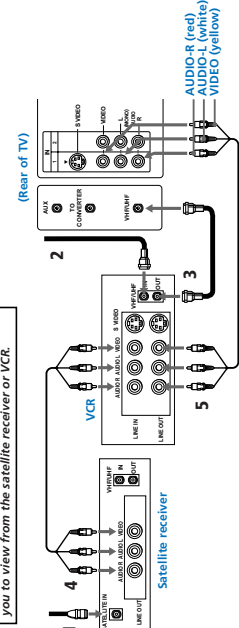
- 1 Connect the cable from your satellite antenna to SATELLITE IN on your receiver.
- 2 Attach the coaxial connector from your cable or antenna to VHF/UHF on your TV.
- 3 Using A/V connectors, connect AUDIO and VIDEO OUT on your receiver to AUDIO and VIDEO IN on your TV.



Connecting a satellite receiver and a VCR

- 1 Connect the cable from your satellite antenna to SATELLITE IN on your receiver.
- 2 Attach the coaxial connector from your cable or antenna to IN on your VCR.
- 3 Using a coaxial connector, connect OUT on your VCR to VHF/UHF on your TV.
- 4 Using A/V connectors, connect AUDIO and VIDEO OUT on your receiver to AUDIO and VIDEO IN on your VCR.
- 5 Using A/V connectors, connect AUDIO and VIDEO OUT on your VCR to AUDIO and VIDEO IN on your TV.

Pressing TV/VIDEO on the remote control will allow you to view from the satellite receiver or VCR.



7

Connecting and Installing the TV (continued)

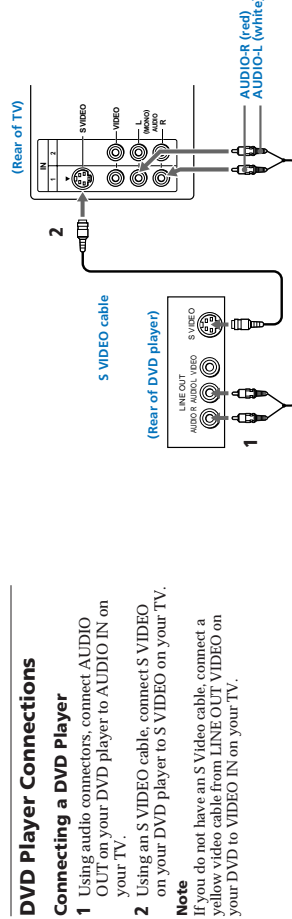
DVD Player Connections

Connecting a DVD Player

- 1 Using audio connectors, connect AUDIO OUT on your DVD player to AUDIO IN on your TV.
- 2 Using an S VIDEO cable, connect S VIDEO on your DVD player to S VIDEO on your TV.

Note

If you do not have an S Video cable, connect a yellow video cable from LINE OUT VIDEO on your DVD to VIDEO IN on your TV.



8

Connecting and installing the TV (continued)

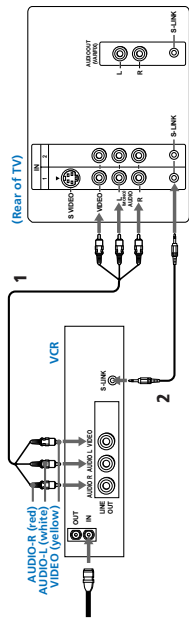
Using Special Sony Features

KV-32S66, 35S66 only

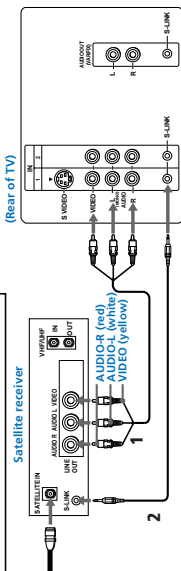
Connecting S-Link to a VCR

S-Link automatically powers on the TV and switches to the correct video input when a tape is inserted in the VCR.

- Using A/V connectors, connect AUDIO and VIDEO OUT on your VCR to AUDIO and VIDEO IN on your TV.
- Using an S-Link connector (mono mini plug), connect S-LINK on your VCR to S-LINK/CONTROL S-OUT in the same VIDEO IN column on your TV.



The S-Link connector must be in the same VIDEO-IN column as the connected A/V cables.



Connecting S-Link to a satellite receiver

When you power on the satellite receiver, S-Link automatically powers on the TV and switches to the correct video input.

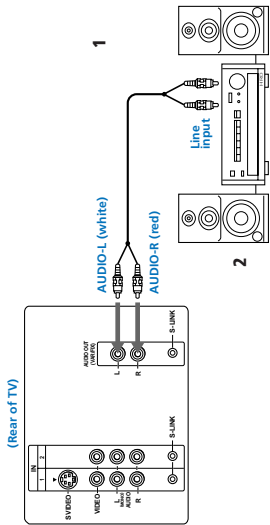
- Using A/V connectors, connect AUDIO and VIDEO OUT on your satellite receiver to AUDIO and VIDEO IN on your TV.
- Using an S-Link connector (mono mini plug), connect S-LINK on your satellite receiver to S-LINK/CONTROL S-OUT in the same VIDEO IN column on your TV.

Note
The S-Link feature will override the "SKIP" VIDEO LABEL input. (see page 21).

Additional Connections

Connecting an audio system
For an enhanced sound, connect your audio system to your TV.

- Using AUDIO connectors, connect AUDIO OUT on your TV to one of the unused Line inputs (e.g. Tape-2, AUX1, etc.) on your stereo.
- Set your stereo to the chosen Line input and use the AUDIO \blacktriangleright menu to set your audio output. (see page 19).



Connecting a camcorder

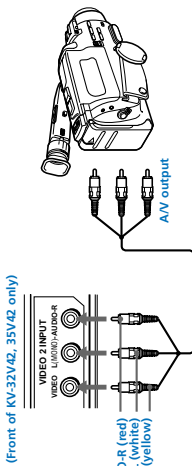
This connection is convenient for viewing a picture directly from your camcorder.

Using A/V connectors, connect AUDIO and VIDEO OUT on your camcorder to AUDIO and VIDEO IN on your TV.

Connection can also be made directly to the A/V input located on the rear of the TV.

Tip

If you are connecting a monaural camcorder, connect only the single white audio output to the left input on your TV.



Programming the remote

You can use the supplied remote control to operate Sony or non-Sony video equipment.

- Press CODE SET.
- Press VTR/DVD (FUNCTION).
- Use the 0-9 buttons to key in the manufacturer's code number from the following chart.
- Press ENTER.

VCR code numbers

Manufacturer	Code
Sony	301, 302, 303
Admiral (M. Ward)	301, 302, 303
Aiwa	338, 344
Audio Dynamic	314, 337
Beiosonic	319, 317
Canon	309, 308
Chang	302, 332
Cineiron	302, 332
Curtis Mathes	304, 338, 309
Daewoo	341, 312, 309
DBX	314, 336, 337
Edison	319, 317
Fisher	338, 327
General	319, 320, 316, 317, 318, 341
Funai	330, 335
Funai Electric	329, 304, 309
Go Video	322, 339, 340
Goldstar	322, 339, 340

Operating a VCR

Hitachi	314, 336, 337
Instant Replay	309, 305, 304
JC Penney	309, 305, 304
K. Wood	314, 336, 337
KX	314, 336, 337
LXI (Seasox)	332, 302, 303, 305, 338
Magnavox	308, 309, 310
Marantz	314, 336, 337
Marta	309, 305
Memorex	309, 305
Mitsubishi	323, 324, 325, 326
MitsubishiMGA	325, 338, 321
Multitech	314, 336, 337
NEC	309, 308
Olympic	308, 309, 308
Optimus	308, 309, 305, 304
Panasonic	308, 309, 305, 304
Philco	308, 309, 310
Philips	308, 309, 310
Pioneer	308, 309, 308
Quasar	308, 309, 306
RCA/PROSCAN	304, 305, 308, 309, 311, 309, 330, 326, 365, 324, 314
Realistic	309, 330, 326, 365, 324, 314
Sansui	322, 313, 321
Sanyo	308, 330, 335
Sanyo	308, 330, 335
Scott	312, 313, 321, 335, 323, 324, 325, 326
Sharp	327, 328
Shinano	327, 328
Signature 2000 (M. Ward)	338, 327
Signature 2000 (M. Ward)	338, 338
Sylvania	308, 309, 338, 310
Symphonic	308, 309, 338, 310
Tashiro	308, 309, 338, 310
Taung	314, 336, 337

Buttons on the remote control

To turn on or off	Press VTR/DVD (POWER).
To select a channel directly	Press the 0-9 buttons.
To change channels	Press CH \blacktriangleleft or \blacktriangleright .
To record	Press \blacktriangleright and \bullet simultaneously.
To play	Press \blacktriangleright .
To stop	Press \blacksquare .
To fast forward	Press $\blacktriangleright\blacktriangleright$.
To rewind the tape	Press $\blacktriangleleft\blacktriangleleft$.
To pause	Press II.
To resume normal playback,	Press \blacktriangleright or \blacktriangleleft during playback.
To scan	Press \blacktriangleright or \blacktriangleleft during playback.
To change input mode	Press TV/VTR.

Lasersc

- In some rare cases, you may not be able to operate your non-Sony video equipment with the supplied remote control. In this case, please use the equipment's own remote control.
- When you remove the batteries, the code number may revert to the factory setting.
- The code numbers for Sony VCRs are assigned at the factory as follows.

VHS VCR	Code
To turn on or off	301
To play	301
To stop	301
To pause	302
To scan	303

8 mm VCR

To resume normal playback,	Press \blacktriangleright or \blacktriangleleft during playback.
To scan	Press \blacktriangleright or \blacktriangleleft during playback.
To search the backward	Press CH \blacktriangleleft .

Beta, ED Beta VCRs

To resume normal playback,	Press \blacktriangleright or \blacktriangleleft during playback.
To scan	Press \blacktriangleright or \blacktriangleleft during playback.
To search the backward	Press CH \blacktriangleleft .

Tip

If you will not be programming a satellite receiver or cable box into the SAT/CABLE function of your remote, you can use it to program other video equipment (e.g. DVD, MDP, or second VCR).

DVD (Digital Versatile Disc)

code numbers	Manufacturer	Code
751	Sony	751
753	Panasonic	753
752	Pioneer	752
755	RCA	755
754	Toshiba	754

Buttons on the remote control

To turn on or off	Press VTR/DVD (POWER).
To play	Press \blacktriangleright .
To stop	Press \blacksquare .
To pause	Press II.
To scan	Press \blacktriangleright or \blacktriangleleft during playback.
To search the backward	Press CH \blacktriangleleft .
To search the chapter forward or backward	Press \blacktriangleright or \blacktriangleleft during playback.
To select chapters directly	Press \blacktriangleright or \blacktriangleleft during playback.
To move cursor in menu	Use your arrow buttons \blacktriangle , \blacktriangleleft , \blacktriangleright , \blacktriangledown .

Operating Video Equipment

Programming the remote

You can use the supplied remote control to operate Sony or non-Sony video equipment.

- Press CODE SET.
- Press VTR/DVD (FUNCTION).
- Use the 0-9 buttons to key in the manufacturer's code number from the following chart.
- Press ENTER.

VCR code numbers

Manufacturer	Code
Sony	301, 302, 303
Admiral (M. Ward)	301, 302, 303
Aiwa	338, 344
Audio Dynamic	314, 337
Beiosonic	319, 317
Canon	309, 308
Chang	302, 332
Cineiron	302, 332
Curtis Mathes	304, 338, 309
Daewoo	341, 312, 309
DBX	314, 336, 337
Edison	319, 317
Fisher	338, 327
General	319, 320, 316, 317, 318, 341
Funai	330, 335
Funai Electric	329, 304, 309
Go Video	322, 339, 340
Goldstar	322, 339, 340

Troubleshooting

Consult the table below; it suggests solutions to specific problems.

Problem	What it could be	What you can do
You want to restore the TV's factory settings		<ul style="list-style-type: none"> First, turn the TV on. Then while pressing the RESET button on the remote control, press the POWER button on the TV. The TV will turn itself off and then back on. When the TV turns on again, all settings will be reset, and the initial setup screen will appear. Call your local Sony service center.
A red light keeps flashing on the TV for more than a few seconds	<ul style="list-style-type: none"> Your TV may need service. 	
TV makes a noise when turned on	<ul style="list-style-type: none"> This is a normal function of your TV. 	
Screen is not lit and there is no sound	<ul style="list-style-type: none"> Power cord may not be plugged in. Remote control batteries may not be inserted correctly. TV/VIDEO setting may be incorrect. Current program may exceed PARENTAL CONTROL settings. 	<ul style="list-style-type: none"> Check your power cord. Re-insert the batteries in your remote control. Press TV/VIDEO until you receive a channel. Check your PARENTAL CONTROL settings. (page 27).
Poor or no picture (screen lit), good sound	<ul style="list-style-type: none"> VIDEO menu settings may not be adjusted correctly. Antenna/cable connections may be incorrect. VIDEO LABEL inputs may be set to WEB. (This label darkens the screen for ideal WebTV viewing) 	<ul style="list-style-type: none"> Readjust your VIDEO menu settings. (page 18). Check your VIDEO LABEL settings. (page 21).
Good picture, no sound	<ul style="list-style-type: none"> Sound may be set to MUTING. Your TV may be set to SAP. SPEAKER may not be set correctly. 	<ul style="list-style-type: none"> Press MUTING. Check the MTS setting in the AUDIO menu. (page 19). Check your SPEAKER settings. (page 19).
No color	<ul style="list-style-type: none"> Color settings may not be adjusted correctly. 	<ul style="list-style-type: none"> Adjust the COLOR settings in the VIDEO menu. (page 18).
Only snow and noise appear on the screen	<ul style="list-style-type: none"> CABLE may not be set correctly in the CHANNEL SET UP menu. Antenna/cable connections may not be correct. TV may be set to AUX mode. 	<ul style="list-style-type: none"> Ensure that you have selected the correct CABLE mode in the CHANNEL SET UP menu. (page 23). Press ANT on your remote control to change the input mode. (page 14).

Operating a Cable Box or Satellite Receiver

Programming the remote control

You can program the supplied remote control to operate a cable box or satellite receiver.

1 Press CODE SET.

Press **SAT/CABLE** (FUNCTION).

Use the **0-9** buttons to key in the manufacturer's code number from the following chart.

Press **ENTER**.

For more details on operating the cable box or satellite receiver

Refer to the operating instructions that were supplied with the equipment.

If the remote control doesn't work

First, try repeating the setup procedures using the other codes listed for your equipment.

Tips

- If more than one code number is listed, try entering them one by one until you come to the correct code for your equipment.
- In some rare cases, you may not be able to operate your equipment with the supplied remote control. In this case, use the equipment's supplied remote control.
- Whenever you remove the batteries, the code numbers may revert to the factory setting.

Cable box code numbers

Manufacturer	Code
Harris/Regal	222, 223, 224, 225, 226
Jerrald/G. I.	201, 202, 203, 204, 205
Panasonic	206, 207, 208, 218
Pioneer	219, 220, 221
Scientific Atlanta	214, 215
Socoin	209, 210, 211
Zenith	216, 217, 218, 219, 213

Satellite receiver code numbers

Manufacturer	Code
Sony	801 (preset code for remote control)
Genesic Electric	805
Hirsch	804
Hughes	806
Panasonic	803
RCA/PROSCAN	802, 808
Toshiba	806, 807

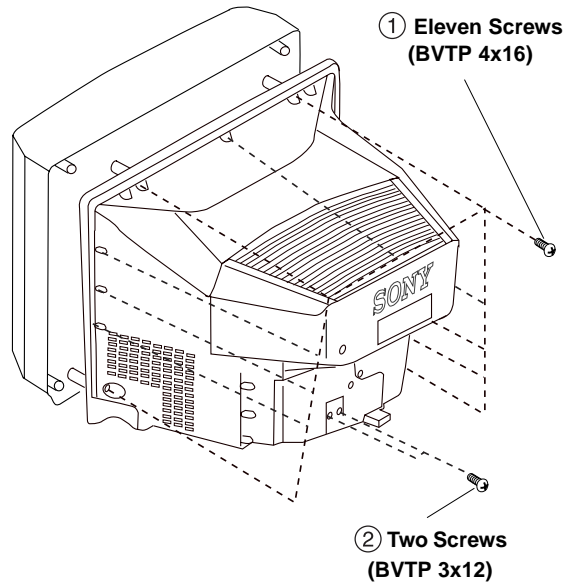
Problem	What it could be	What you can do
Cannot receive upper channels (UHF) when using an antenna	<ul style="list-style-type: none"> CABLE setting may not be correct in the CHANNEL SET UP menu. 	<ul style="list-style-type: none"> Ensure that CABLE is set to OFF in the CHANNEL SET UP menu. (page 23). Use AUTO PROGRAM to add receivable channels that are not presently in TV memory. (page 23).
Cannot receive any channels when using cable	<ul style="list-style-type: none"> CABLE setting may not be correct in the CHANNEL SET UP menu. 	<ul style="list-style-type: none"> Ensure that CABLE is set to OFF in the CHANNEL SET UP menu. (page 23). Use AUTO PROGRAM to add receivable channels that are not presently in TV memory. (page 23).
Cannot gain enough volume when using a cable box	<ul style="list-style-type: none"> Volume may not be adjusted on your cable box. 	<ul style="list-style-type: none"> Use the remote control supplied with the cable box.
TV is fixed to one channel	<ul style="list-style-type: none"> CHANNEL FIX settings may not be correct. 	<ul style="list-style-type: none"> Check your CHANNEL FIX settings. (page 23).
Lost password for PARENTAL CONTROL		<ul style="list-style-type: none"> In the password screen, enter the following master password: 4357. The master password cannot be used to unlock currently blocked channels.

If, after reading these operating instructions, you have additional questions related to the use of your Sony television, please call our Direct Response Center at 1-800-222-SONY (7669)/(U.S. residents only) or (416) 499-SONY (7669)/(Canadian residents only).

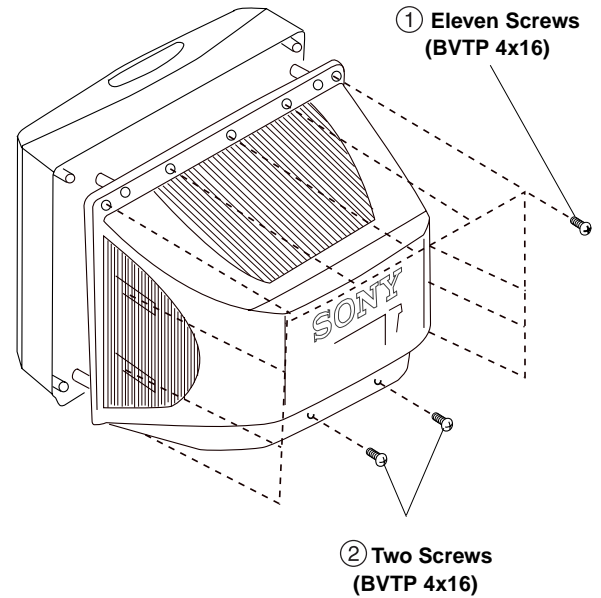
SECTION 2 DISASSEMBLY

2-1. REAR COVER REMOVAL

(KV-32S42/32V42/32S66)

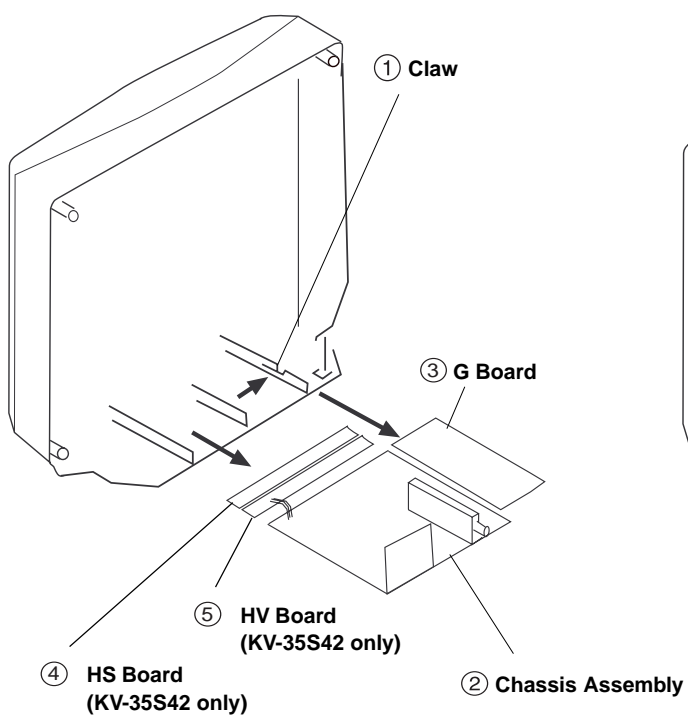


(KV-35S42/35V42/35S66)

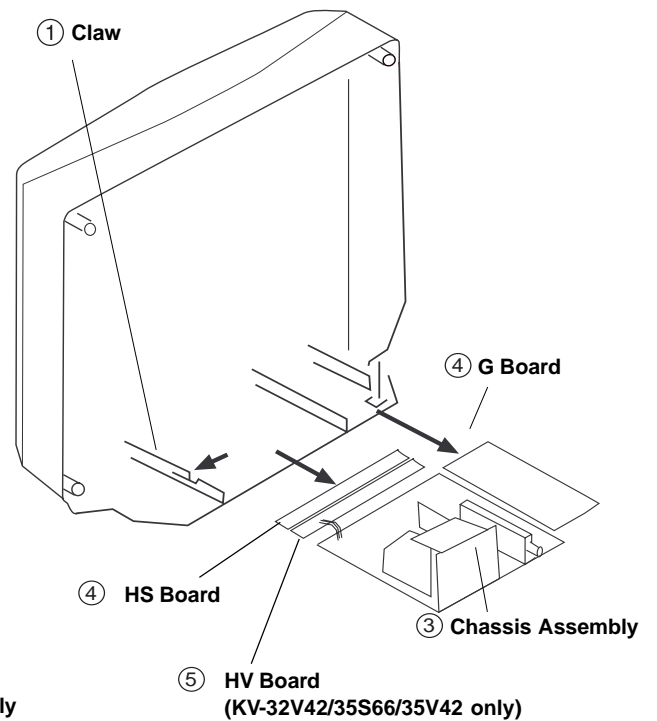


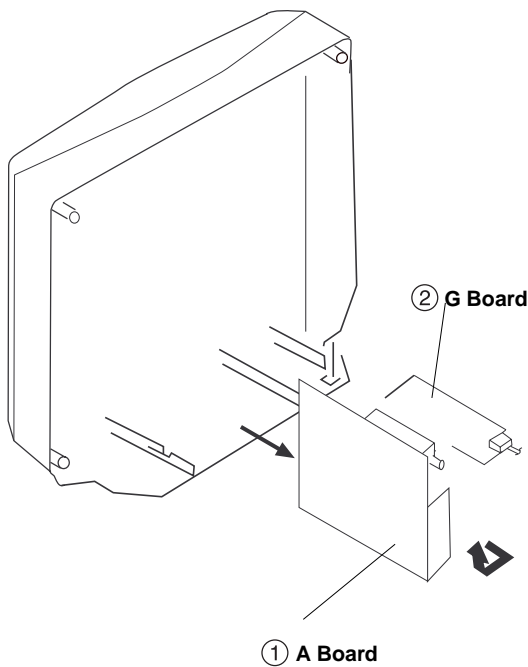
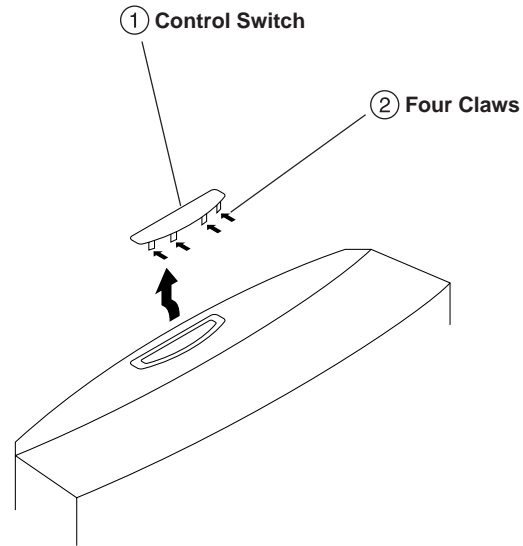
2-2. CHASSIS ASSEMBLY REMOVAL

(KV-32S42/35S42)



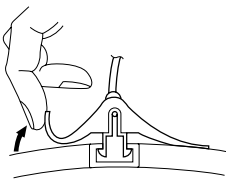
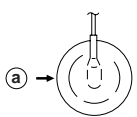
(KV-32S66/32V42/35S66/35V42)



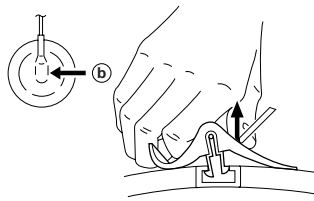
2-3. SERVICE POSITION**2-4. CONTROL SWITCH REMOVAL**
(KV-32V42/35V42 only)**ANODE CAP REMOVAL**

WARNING: High voltage remains in the CRT even after the power is disconnected. To avoid electrical shock, discharge the CRT **before** attempting to remove the anode cap. Short between anode and coated earth ground strap of CRT.

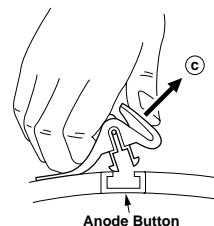
NOTE: After removing the anode, short circuit the anode of the picture tube and the anode cap to either the metal chassis, CRT shield, or carbon painted on the CRT.

REMOVAL PROCEDURES

- ① Turn up one side of the rubber cap in the direction indicated by arrow (a).



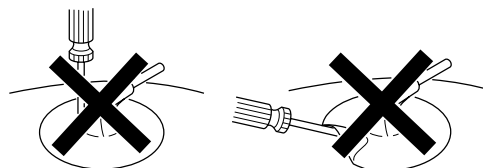
- ② Use your thumb to pull the rubber cap firmly in the direction indicated by arrow (b).



- ③ When one side of the rubber cap separates from the anode button, the anode cap can be removed by turning the rubber cap and pulling it in the direction of arrow (c).

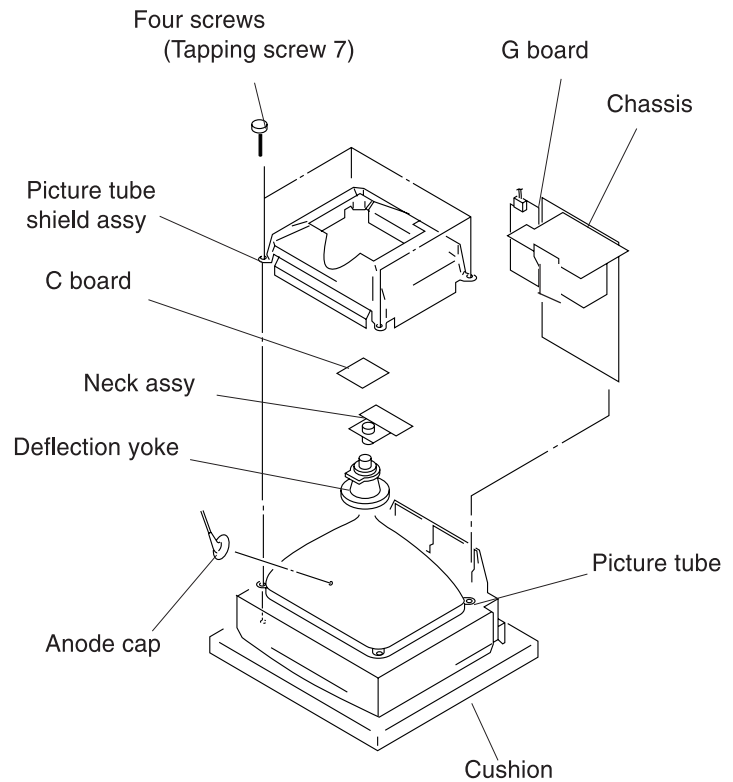
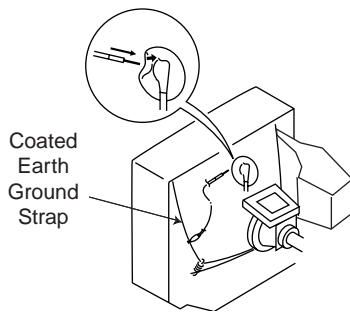
HOW TO HANDLE AN ANODE CAP

- ① Do not use sharp objects which may cause damage to the surface of the anode cap.
- ② To avoid damaging the anode cap, do not squeeze the rubber covering too hard. A material fitting called a shatter-hook terminal is built into the rubber.
- ③ Do not force turn the foot of the rubber cover. This may cause the shatter-hook terminal to protrude and damage the rubber.

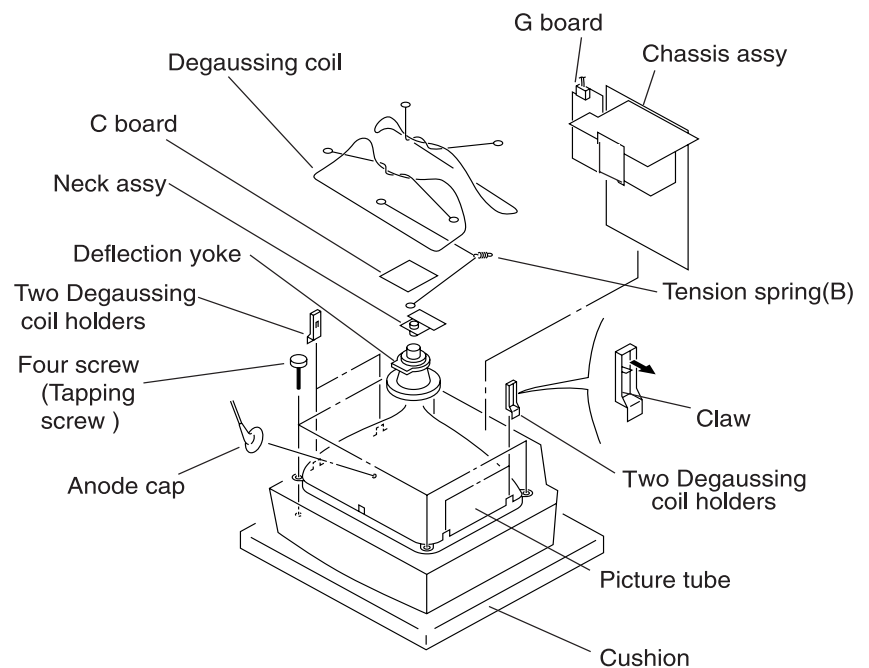
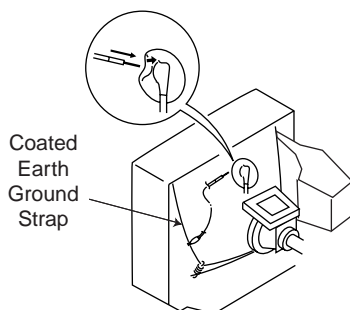


2-5-1. PICTURE TUBE REMOVAL (KV-32S42/32V42/32S66)**WARNING:
BEFORE REMOVING
THE ANODE CAP**

High voltage remains in the CRT even after the power is disconnected. To avoid electric shock, discharge CRT *before* attempting to remove the anode cap. Short between anode and CRT coated earth ground strap.

**2-5-2. PICTURE TUBE REMOVAL (KV-35S42/35V42/35S66)****WARNING:
BEFORE REMOVING
THE ANODE CAP**

High voltage remains in the CRT even after the power is disconnected. To avoid electric shock, discharge CRT *before* attempting to remove the anode cap. Short between anode and CRT coated earth ground strap.



SECTION 3 SET-UP ADJUSTMENTS

The following adjustments should be made when a complete realignment is required or a new picture tube is installed.

These adjustments should be performed with rated power supply voltage unless otherwise noted.

The controls and switch should be set as follows unless otherwise noted:

PICTURE control normal
BRIGHTNESS control normal

Perform the adjustments in order as follows:

1. Beam Landing
2. Convergence
3. Focus
4. Screen (G2)/White Balance

Note: Test Equipment Required

1. Color Bar Pattern Generator
2. Degausser
3. DC Power Supply
4. Digital Multimeter

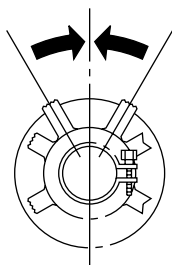
3-1. BEAM LANDING

Preparation:

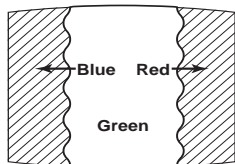
- Input a white pattern signal.
- Face the picture tube in an East or West direction to reduce the influence of geomagnetism.

NOTE: Do not use the hand degausser because it magnetizes the CRT .

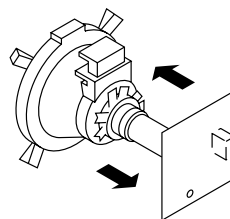
1. Input white pattern from pattern generator.
2. Loosen the deflection yoke mounting screw, and set the purity control to the center as shown below:



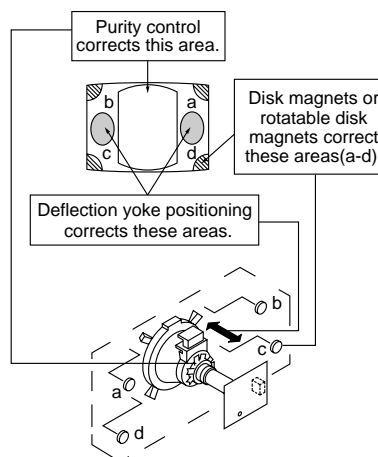
3. Input green pattern from pattern generator.
4. Move the deflection yoke backward, and adjust with the purity control so that green is in the center and red and blue are even on both sides.



5. Move the deflection yoke forward, and adjust so that the entire screen becomes green.



6. Switch over the raster signal to red and blue and confirm the condition.
7. When the position of the deflection yoke is determined, tighten it with the deflection yoke mounting screw.
8. When landing at the corner is not right, adjust by using the disk magnets.



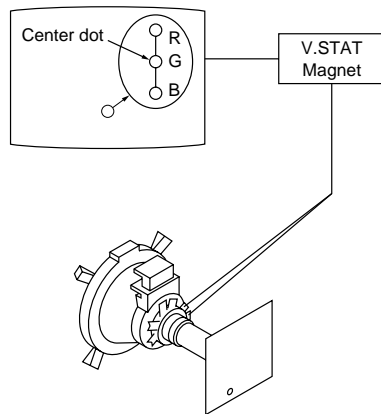
3-2. CONVERGENCE

Before starting convergence adjustments:

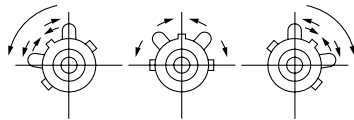
1. Perform FOCUS, V. LIN and V. SIZE adjustments.
2. Set BRIGHTNESS control to minimum.
3. Input dot pattern.

Vertical and Horizontal Static Convergence

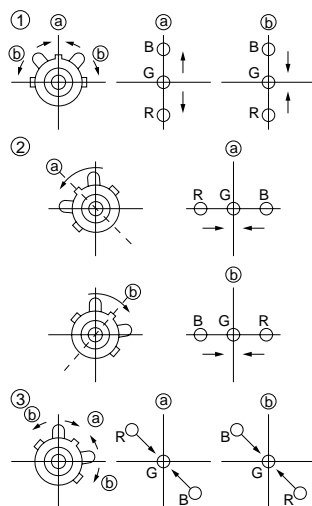
1. Adjust V. STAT magnet to converge red, green and blue dots in the center of the screen. (Vertical movement)



Tilt the V. STAT magnet and adjust static convergence to open or close the V. STAT magnet.



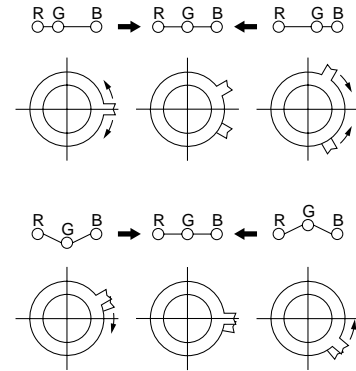
2. When the V. STAT magnet is moved in the direction of arrow a and b, red, green, and blue dots move as shown below:



Operation of BMC (Hexapole) Magnet

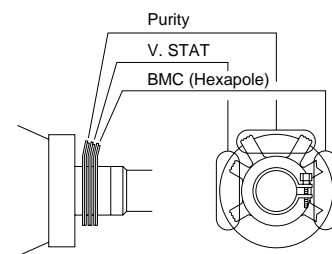
The respective dot positions resulting from moving each magnet interact, so perform adjustment while tracking.

Use the VSTAT tabs to adjust the red, green, and blue dots so they line up at the center of the screen (move the dots in a horizontal direction.)



Y Separation Axis Correction Magnet Adjustment

1. Input cross-hatch pattern, adjust PICTURE to minimum and BRIGHTNESS to normal.
2. Adjust the deflection yoke upright so it touches the CRT.
3. Adjust so that the Y separation axis correction magnet on the neck assembly is symmetrical from top to bottom (open state).

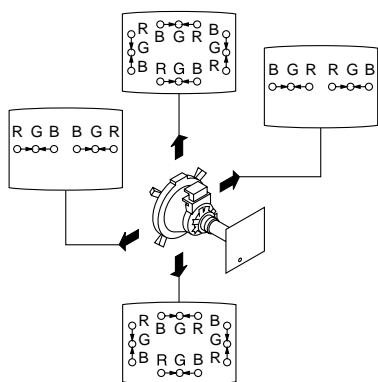


4. Return the deflection yoke to its original position.

Dynamic Convergence Adjustment

Before starting, perform Horizontal and Vertical Static Convergence Adjustment.

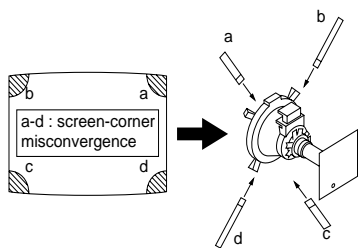
1. Slightly loosen deflection yoke screw.
2. Remove deflection yoke spacers.
3. Move the deflection yoke for best convergence as shown below:



4. Tighten the deflection yoke screw.
5. Install the deflection yoke spacers.

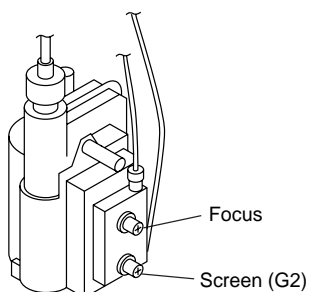
Screen-corner Convergence

Affix a permalloy assembly corresponding to the misconverged areas:



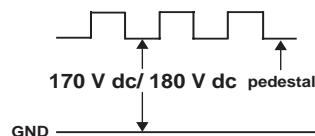
3-3. FOCUS

Adjust FOCUS control for best picture.



3-4. SCREEN (G2)

1. Input dot pattern from the pattern generator.
2. Set the PICTURE and BRIGHT controls at normal.
3. Adjust S BRT, G CUT, B CUT in service mode with an oscilloscope so that voltages on the red, green, and blue cathodes are $170\text{Vdc} \pm 2.0\text{Vdc}$ for 35" and $180\text{Vdc} \pm 2.0\text{Vdc}$ for 32".
4. Observe the screen and adjust SCREEN (G2) VR to obtain the faintly visible background of dot signal.



3-5. WHITE BALANCE ADJUSTMENTS

NO.	Disp.	Item	Avg/32"	Avg/35"
16	GDRV	Green Drive	33	45
17	BDRV	Blue Drive	33	45
18	GCUT	Green Cut-off	3	6
19	BCUT	Blue Cut-off	2	6
23	SBRT	Sub Bright	14	10

1. Input an entire white signal.
2. Set to Service adjustment Mode.
3. Set DCOL to "0"
4. Set the PICTURE and BRIGHT to minimum.
5. Adjust with SBRT if necessary.
6. Select GCUT and BCUT with 1 and 4 .
7. Adjust with 3 and 6 for the best white balance.
8. Set the PICTURE and BRIGHT to maximum.
9. Select GDRV and BDRV with 1 and 4 .
10. Adjust with 3 and 6 for the best white balance.
11. Reset DCOL to "1".
12. Write into the memory by pressing **MUTING** then **ENTER****.

SECTION 4 SAFETY RELATED ADJUSTMENTS

4-1. X R530, R531 CONFIRMATION METHOD (HOLD-DOWN CONFIRMATION) AND READJUSTMENTS

Always perform the following adjustments when replacing the following components marked with a X mark on the schematic diagram:

A BOARD: IC351, IC501, D519, D520, D521, C531, C532, R387, R529, R530, R531, R532, R533, R550, T503

G BOARD: IC643, R661

Step 1 Preparation before Confirmation

Turn the POWER switch ON.

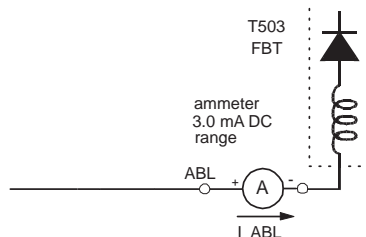
Input a white signal and set the PICTURE and BRIGHT controls to maximum.

Confirm that the voltage of more than 18.0 VDC appears between TP85 and ground on the A Board at AC Input: 120.0 ± 0.2 VAC.

Step 2

Input a white signal and verify that IABL is within the specified range: $2160 \pm 100 \mu\text{A}$ (KV-35S42/S66/V42) or $2000 \pm 100 \mu\text{A}$ (KV-32S42/S66/V42).

At AC input: 120.0 ± 2.0 VAC



Step 3

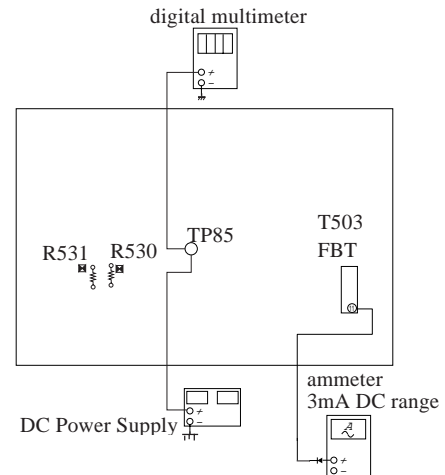
Record the voltage between TP85 and ground.

Step 4

Using an external DC power supply, apply voltage between TP85 and ground.

Increase the voltage gradually and confirm that the holddown works (raster disappears) at lower than the voltage recorded in Step 3.

Lower than $22.05 +0.0/-0.1$ VDC (KV-35S42/S66/V42) or $26.95 +0.0/-0.1$ VDC (KV-32S42/S66/V42) at AC input: 120.0 ± 2.0 VAC.



A BOARD - CONDUCTOR SIDE

Step 5

Confirm that a voltage of more than 18.0 VDC (KV-35S42/S66/V42) or 21.5 VDC (KV-32S42/S66/V42) appears between TP85 and ground at AC input: 120.0 ± 2.0 VAC

4-2. B+ VOLTAGE CONFIRMATION AND ADJUSTMENT

Always perform the following adjustments when replacing the following components marked with X on the schematic diagram:

G BOARD: IC643, R661

1. Using a Variac, apply AC input voltage: 130 ± 2.0 VAC
2. Input a monoscope signal.
3. Set the PICTURE control and the BRIGHT control to initial reset value.
4. Confirm the voltage of G BOARD CN641 between pin ① to ground is less than 136.5 VDC.
5. If step 4 is not satisfied, replace the R661 and repeat the above steps.

SECTION 5 CIRCUIT ADJUSTMENTS

ELECTRICAL ADJUSTMENTS BY REMOTE COMMANDER

Use the Remote Commander (RM-Y168) to perform the circuit adjustments in this section.

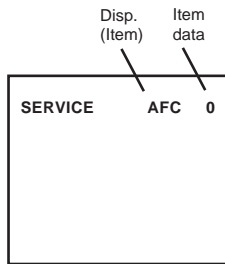
NOTE: Test Equipment Required:

- Pattern generator
- Frequency counter
- Digital multimeter
- Audio oscillator

5-1. Setting the Service Adjustment Mode

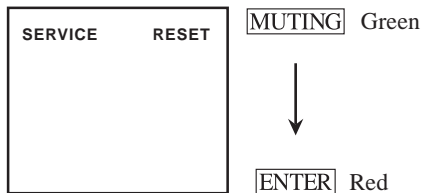
1. Standby mode. (Power off)
2. [Display] → Channel [5] → Sound volume [+] → Power on the Remote Commander. (Press each button within a second.)

Service Adjustment Mode In

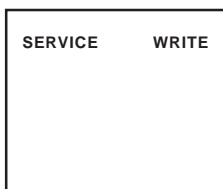


3. The CRT displays the item being adjusted.
4. Press [1] or [4] on the Remote Commander to select the item.
5. Press [3] or [6] on the Remote Commander to change the data.
6. Press [MUTING] then [ENTER] to write into memory**.

Service Adjustment Mode Memory



7. Press [8] then [ENTER] on the Remote Commander to initialize.



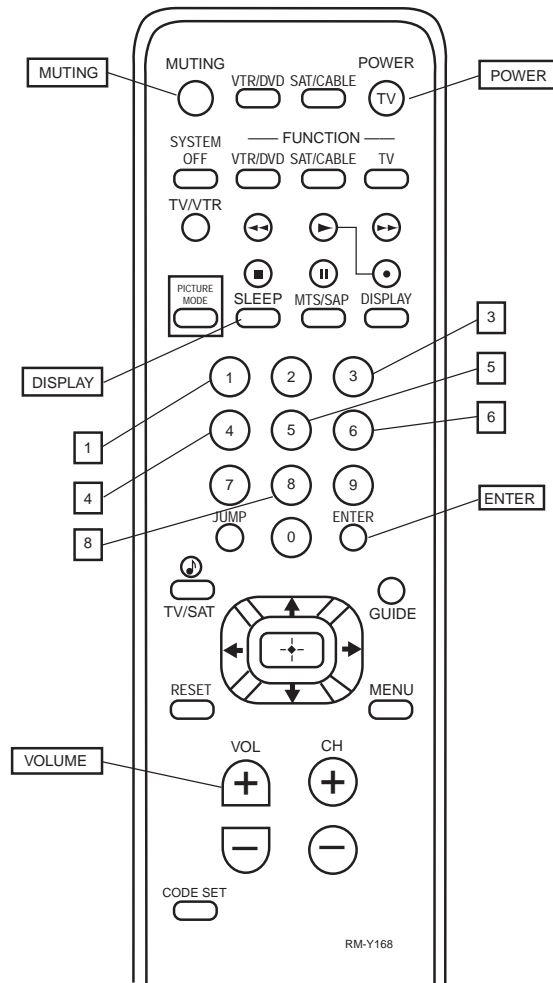
Carry out step 7 when adjusting IDs 0 to 4 and when replacing and adjusting IC002.

8. Turn set off and on to exit. * CAUTION: Wait at least 10 seconds before turning off set.

5-2. Memory Write Confirmation Method

1. After adjustment, pull out the plug from the AC outlet, then replace the plug in the AC outlet again.
2. Turn the power switch ON and set to Service Mode.
3. Call the adjusted items again to confirm they were adjusted.

5-3. Adjust Buttons and Indicator



RM-Y168

**WARNING: Do NOT turn off the power or AC immediately after pressing [MUTING] then [ENTER]. Wait at least 10 seconds.

5-4. Adjustment Items

No.	Register Name	Description	Data Range	Adj/Fix	Initial Data	Average Data**					Comments
						32"		35"			
						A	C	D	G	I	
VP CXA2095S											
1	VPOS	V-Position	0-63	Adj	20	23		33			0:Down, 63:Up
2	VSIZ	V-Size	0-63	Adj	20	27		52			0:Min, 63:Max
3	VCOM	V-Compensation	0-3	Fix	1			1			0:Min, 3:Max
4	VLIN	V-Linearity	0-15	Adj	7			9			0:Min, 15:Max
5	VSCO	S-Correction	0-15	Adj	7	6		9			0:Min, 15:Max
6	HPOS	H-Position	0-15	Adj	7	11		10			0:Right, 15:Left
7	HSIZ	H-Size	0-63	Adj	20	23		39			0:Min, 63:Max
8	PAMP	Pin Compensation	0-63	Adj	31	27		19			0:Min, 63:Max
9	UPIN	Upper Corner Pin	0-15	Adj	7	4		7			0:Min, 15:Max
10	LPIN	Lower Corner Pin	0-15	Adj	7	6		10			0:Min, 15:Max
11	PPHA	Pin Phase	0-15	Adj	7	4		5			0:Min(small picture), 15:Max
12	AFC	AFC	0-3	Fix	2			2			0:Freerun, 1:Min, 3:Max
13	VBOW	AFC Bow	0-15	Adj	7	6		5			0:Right, 15:Left
14	VANG	AFC Angle	0-15	Adj	7	6		4			0:Right, 15:Left
15	REF	Reference Line	0-3	Fix	2			2			0:22H(Rch), 3:16H(Rch)
16	GDRV	Green Drive	0-63	Adj	31	22		35			0:Min, 63:Max
17	BDRV	Blue Drive	0-63	Adj	31	30		26			0:Min, 63:Max
18	GCUT	Green Cutoff	0-15	Adj	7	5		8			0:Min, 15:Max
19	BCUT	Blue Cutoff	0-15	Adj	7	7		6			0:Min, 15:Max
20	SCON	Sub Contrast	0-15	Adj	7	10		8			0:Min, 15:Max
21	SHUE	Sub Hue (RF only)	0-15	Adj	7	7(adjust flat - 1 step)					0:+10deg, 15:-10deg
22	1SHU	Sub Hue (composite & S-video)	0-15	Adj	7	7 (same as SHUE adjusted value)					0:+10deg, 15:-10deg
23	SCOL	Sub Color (RF only)	0-15	Adj	7	11 (adjust flat + 2 steps)					0:Min, 15:Max
24	1SCO	Sub Color (composite & S-video)	0-15	Adj	7	9 (SCOL adjusted flat, no offset)					0:Min, 15:Max
25	SBRT	Sub Brightness	0-63	Adj	31			26			0:Min, 63:Max
26	SSHP	Sub Sharpness (RF & Composite video)	0-15	Fix by model	7	10		10			0:Min, 15:Max
27	1SSP	Sub Sharpness (S-video only)	0-15	Fix by model	7	10		10			0:Min, 15:Max
28	GMMA	Gamma Correction	0-3	Fix by model	1	0		0			0:Off, 1:Min, 3:Max
29	CDM2	Countdown Mode 2	0-1	Fix	0			0			0: Normal 1: High Speed Countdown Response
30	EYSW	External Y Switch	0-1	Fix	0			0			0: Normal 1: EYin disabled
31	DPIX	Dynamic Picture	0,1	Fix	1			1			0:Off, 1:On
32	Y-DC	DC Transmission Ratio	0,1	Fix	1			1			0:100%, 1:82%
33	ABLM	ABL Mode	0,1	Fix	1			1			0:PictureABL, 1:Picture/BrightnessABL
34	AXIS	Color Demodulation Axis	0,1	Fix	1			0			0:Japan, 1:US
35	NOTC	Chroma Trap Filter	0,1	Fix	0			0			0:Off, 1:On
36	CROM	Chroma Trap Adjust	0-15	Fix	7			7			0:+300kHz, 1:-300kHz
37	TOT	TOT Filter (RF only)	0,1	Fix	1			1			0:Off, 1:On
38	1TOT	TOT Filter (Composite & S-video)	0,1	Fix	1			0			0:Off, 1:On
39	PREL	Pre/Overshoot Ratio (RF & Composite)	0-3	Fix by model	3			1			0: 2:1, 3: 5:1
40	1PRE	Pre/Overshoot Ratio (S-video only)	0-3	Fix by model	3			3			0: 2:1, 3: 5:1
41	SHPF	Sharpness fo (RF & Composite)	0-3	Fix by model	2			1			0:2.5MHz, 3:4.0MHz
42	1SPF	Sharpness fo (S-video only)	0-3	Fix by model	2			3			0:2.5MHz, 3:4.0MHz
43	RON	Red Off	0,1	Fix	1			1			0:Off, 1:On
44	GON	Green Off	0,1	Fix	1			1			0:Off, 1:On
45	BON	Blue Off	0,1	Fix	1			1			0:Off, 1:On
46	DCOL	Dynamic Color	0,1	Fix	0	1 (adjusted @ 0, but shipped as 1)					0:Off, 1:On
47	CDMD	V Countdown Mode	0,1	Fix	0			0			0:Auto, 1:Fix
48	HBSW	H Blanking Switch	0,1	Fix	0			0			0:Off, 1:On
49	LBLK	Left Blanking	0-15	Fix	0			7			0:Min, 15:Max
50	RBLK	Right Blanking	0-15	Fix	0			7			0:Min, 15:Max
AP CXA2021											
51	SVOL	Sub Volume	0-15	Fix	0			6			0:-0 Volume steps, 15:-15 Volume steps
52	SBAL	Sub Balance	0-15	Fix	7			7			0: +Right, 15:+Left
53	SBAS	Sub Bass	0-15	Fix by model	7	8	7	8	10		0:-7 Steps, 15: +8 steps
54	STRE	Sub Treble	0-15	Fix by model	7	10	7	10	7		0:-7 Steps, 15: +8 steps
MM1311/1313											
55	AUSW	Audio Att Sw	0,1	Fix	1			1			0:-6dB, 1:0dB (Only for VIDEO input)

**AVERAGE DATA MODEL GROUPINGS:

32" A: KV-32S42 C: KV-32S66 D: KV-32V42	35" G: KV-35S42 I: KV-35S66 L: KV-35V42
---	---

Adjustment Items (cont.)

No.	Register Name	Description	Data Range	Adj/Fix	Initial Data	Average Data**					Comments
						32"		35"			
						A	C	D	G	I	
PI SDA9288											
56	PYSD	Select Delay	0-15	Fix by P-bd				3			0:Right, 15:Left
57	PIPH	PIP H-position	0-127	Fix	78			78			0:Right, 127:Left
58	PIPV	PIP V-position	0-63	Fix	18			18			0:Up, 63:Down
59	PYDL	PIP Y-delay	0-7	Fix	0			0			0:Right, 7:Left
60	PHDL	H-pulse delay	0-15	Fix by P-bd	3			0			0:Right, 15:Left
61	PMVD	Main V-pulse delay	0-31	Fix	16			16			7-21: Available (1-6/22-31 Not Avail)
62	PIVD	Inset V-pulse delay	0-31	Fix	22			22			16-28 Available (1-15/29-31 Not Avail)
63	PCON	Inset Contrast	0-15	Fix	7			6			0:Min, 15:Max
64	FRMY	Frame Y	0-15	Fix	7			7			0:Dark, 15:Bright
65	CHRI	Input Polarity	0,1	Fix by P-bd	1			1			0:+(B-Y)+(R-Y), 1:-(B-Y)-(R-Y)
66	CHRO	Output Polarity	0,1	Fix	1			1			0:+(B-Y)+(R-Y), 1:-(B-Y)-(R-Y)
67	IPER	Inset Pedestal R-Y	0-15	Fix	0			0			0:Center, 7:Max, 8:Min
68	IPEB	Inset Pedestal B-Y	0-15	Fix	0			0			0:Center, 7:Max, 8:Min
69	PCPS	CLPS Bit Control	0,1	Fix	0			0			0:Depend on HSIDEL, 1:Not depend
70	PCPF	CLPFIX Bit Control	0,1	Fix	0			0			0: 3Clamp line, 1: 2Clamp line
71	PSEL	SELDOWN Bit Control	0,1	Fix by P-bd	1			1			0:Open out, 1:TTL out
72	PPLL	PLL Filter Bits	0-3	Fix	0			0			Fixed value only
73	PVNR	VSPISQ VSP NR	0-1	Fix	0			1			SDA9288 IC bypass use 1
IC CXA2019											
74	ISCO	CDec Sub Contrast	0-15	Fix	7			15			PIP sub contrast
75	ISHP	CDec Sharpness	0-15	Fix	7			8			PIP sharpness
76	ISCL	CDec Sub Color	0-15	Fix	7			9			PIP sub color
77	ISHU	CDec Sub Hue	0-15	Fix	7			6			PIP sub hue
78	ITOT	CDec TOT on	0,1	Fix	0			1			PIP TOT 0:Off, 1:On
79	IAFC	CDec AFC	0-3	Fix	2			2			0:Max, 2:Min, 3:Freerun
80	ICD2	CDec Countdown Mode2	0,1	Fix	0			0			0:Standard, 1:Fast
81	IYDR	CDec Y drive	0-31	Fix	15			7			PIP Y-drive gain
82	IVPE	CDec V pedestal	0-15	Fix	7			6			PIP V-ped DC
83	IUPE	CDec U pedestal	0-15	Fix	7			6			PIP U-ped DC
84	IRVP	CDec RV pedestal	0-15	Fix	7			6			PIP V-ped DC (re-input)
85	IRUP	CDec RU pedestal	0-15	Fix	7			6			PIP U-ped DC (re-input)
86	IDCT	CDec DC transfer	0-7	Fix	2			0			PIP DC transfer 0:Max, 7:Min
87	IRYD	CDec RY drive	0-31	Fix	15			20			PIP RY Drive (re-input)
88	IABO	CDec ABL off	0,1	Fix	1			1			PIP ABL (RY-OUT) 0:On, 1:Off
89	IPRE	CDec Pre/Over shoot	0-3	Fix	3			3			PIP Pre/over shoot 0: 1:1, 1: 4:1
90	IRUD	CDec RU Drive	0-31	Fix	15			20			PIP RU-gain out 0:-6dB, 31:+3.3dB
91	IABL	CDec ABL	0,1	Fix	1			1			PIP ABL gain 0:Std, 1:Min
92	IABC	CDec ABL Cent	0-3	Fix	1			1			PIP ABL Center 0:Min, 1:Max
93	IRVD	CDec RV drive	0-31	Fix	15			17			PIP RY Drive (re-input)
94	IDLY	CDec Delay	0-3	Fix	0			0			PIP Y-delay 0:0ns, 1:60ns, 2:120ns, 3:180ns
95	ISCR	CDec SCP BGR	0-3	Fix	0			0			PIP SCP riseup phase 0:+0.4us, 1:cent, 2:-0.8us
96	ISCF	CDec SCP BGF	0-3	Fix	0			0			PIP SCP falldown phase 0:+0.4us, 1:cent, 2:-0.8us
PI + CD + PiP + Vchip											
97	PFRN	VCXO Oscillation	0,1	Fix	0			0			0: Lock 1: Free Run...FREE_RUN
98	PRVS	HD/VD Input Synchronous Mode Selection	0,1	Fix	0			0			0: Sync 1: Async...RVS
99	PCON	Sub-Contrast	0-127	Fix	32			40			0: Min 127: Max...CONTRAST
100	PUCO	Sub U Level Control	0-15	Fix	7			7			0: Min 15: Max...calculated
101	PVCO	Sub V Level Control	0-15	Fix	7			7			0: Min 15: Max...calculated
102	PHUE	Hue	0-31	Fix	15			11			0: Red 31: Green...calculated
103	PKIL	Color Killer	0,1	Fix	0			0			0: Enable 1: Disable...KILLER
104	PSEP	C-Sync Sep Input Selection	0-3	Fix	2			2			0: Digital 1:23pin in 2:ext 18p 3:int analog...EXT SC_SEL
105	PDCO	Digital Sync Sep Threshold Setting	0-3	Fix	0			0			Threshold Setting...DCOUNT
106	PEXP	Ext Port Setting	0-3	Fix	2			2			0/1: Sub BGP 2: "0" out 3: "1" out...EXPORT
107	PBGS	BGP Position Setting	0-63	Fix	14			14			Sub Picture BGP Position...BG_START
108	PYDL	Y/C Delay Adjust	0-15	Fix	7			7			Sub Picture Y/C Delay...YDL
109	PBRT	Y Brightness	0-31	Fix	25			25			Sub Picture Y Bright Control...Y_OFFSET
110	PVPE	V Pedestal Level	0-15	Fix	0			0			V Pedestal Level (2's comp)...PEDESTV
111	PUPE	U Pedestal Level	0-15	Fix	0			0			U Pedestal Level (2's comp)...PEDESTU
112	PACS	0Dh/0Eh Setting Mode	0,1	Fix	1			1			
113	PSDL	Sync Delay	0-3	Fix	0			0			
114	PMVP	Macrovision Mode Selection	0-3	Fix	0			0			
115	PCGA	Chrome Gain Mode	0,1	Fix	1			1			
116	PBIT	Y Clamp Time Constant	0,1	Fix	0			0			
117	PAFC	AFC Time Constant	0,1	Fix	0			0			

**AVERAGE DATA MODEL GROUPINGS:

32" A: KV-32S42
C: KV-32S66
D: KV-32V42

35" G: KV-35S42
I: KV-35S66
L: KV-35V42

Adjustment Items (cont.)

No.	Register Name	Description	Data Range	Adj/Fix	Initial Data	Average Data**					Comments
						32"			35"		
						A,C	D	G	I	L	
118	PACC	Color Decoder Amplitude	0-63	Fix	15			15			
119	PBUR	VCO Mode Selection	0,1	Fix	0			0			
120	PEVE	Main Picture PAL-N	0,1	Fix	0			0			
121	PINW	Invert Sub Picture Field Definition	0,1	Fix	0			0			
122	PINR	Invert Main Picture Field Definition	0,1	Fix	0			0			
123	PREF	Main Picture Field Fix	0,1	Fix	0			0			
124	PARE	Auto 50/60 Hz Detection	0,1	Fix	1			1			
125	PAVE	Sub Picture Decode Mode	0,1	Fix	0			0			
126	PFRA	Freq Adj for Free Run Mode	0-15	Fix	0			0			
127	PPAL	Parameter Setting for PAL-M Judgement	0-255	Fix	0			0			
128	PHPO	Sub Picture H Position	0-31	Fix	6			15			
129	PVPO	Sub Picture V Position	0-31	Fix	22			22			
130	PHTI	Display Timing Adjustment	0-15	Fix	10			10			
131	PHAJ	Main/Sub Switch Delay Control	0-15	Fix	2			2			
132	PBGY	Background Y Level Setting	0-15	Fix	0			0			
133	PCRO	Sub Picture Read Mode	0,1	Fix	0			0			
134	PPAR	Threshold Control For Ident Judge of Subject	0-63	Fix	2			2			
135	PHPF	Y Output HPF	0,1	Fix	1			0			
136	PVCH	15h, 16h, 17h Setting Mode	0,1	Fix	0			0			
137	PVON	Sub V-Chip Decode Mode	0,1	Fix	1			1			
138	PVLN	Sub V-Chip Slicer Line Select	0-31	Fix	17			17			
139	PVSB	Sub V-Chip Slicer Start Bit Detect Param	0-255	Fix	64			64			
140	PVLV	Sub V-Chip Data Slicer Level Param	0-255	Fix	130			130			
No.	Register Name	Description	Data Range	Adj/Fix	Initial Data	Average Data**					Comments
CC CXP85840a-011s											
141	CRIL	CC CRI count low	0-15	Fix	2			2			7 Clock Run-In Lower Limit (field 1)
142	CFLD	CC Caption Fixed Field Count	0-15	Fix	5			5			Fixed value only
143	CCDI	CC CCD int	0-7	Fix	3			3			Fixed value only
144	CRIP	CC CRI & polarity	0-7	Fix	4			4			Fixed value only
145	CRIT	CC CRI time constant	0-3	Fix	1			1			Fixed value only
146	CSB1	CC Sync Slice Bias 1	0-3	Fix	3			3			Fixed value only
147	CSB2	CC Synce Slice Bias 2	0-7	Fix	4			4			Fixed value only
148	CREP	CC CRI signal end position	0-255	Fix	142			142			Fixed value only
149	CDSD	CC Data start delay	0-31	Fix	8			8			Fixed value only
150	CCDS	CC Caption data threshold	0-31	Fix	9			9			Fixed value only
151	CHMK	CC P8_HMASK	0-63	Fix	42			42			Hmask
152	CHSY	CC P8_HSYC	0-255	Fix	136			136			Hsync
153	DISP	TV OSD H Position	0-63	Adj	1			23			0:Off, 1:Left, 63: Right
154	RTCO	Rotation Coil	0-63	Fix	32			32			Fixed value only
ID MAP											
155	ID-0	ID-0 (Language/Color Systems)	0-255	Fix by model	89						See ID map
156	ID-1	ID-1 (Input/Output Configuration)	0-255	Fix by model	55						See ID map
157	ID-2	ID-2 (Audio)	0-255	Fix by model	175						See ID map
158	ID-3	ID-3 (OSD/Timer/V-chip/Ch Fix)	0-255	Fix by model	0						See ID map
159	ID-4	ID-4 (CC/Spot Killer/etc)	0-255	Fix by model	155						See ID map
160	ID-5	ID-5 (V-series Features/etc)	0-255	Fix by model	141						See ID map
161	ID-6	ID-6 (PiP/Ant Sw related)	0-255	Fix by model	6						See ID map
162	ID-7	ID-7 (Special Models/etc)	0-255	Fix by model	0						See ID map

**AVERAGE DATA MODEL GROUPINGS:

32" A: KV-32S42 C: KV-32S66 D: KV-32V42	35" G: KV-35S42 I: KV-35S66 L: KV-35V42
---	---

SERVICE IDO 25

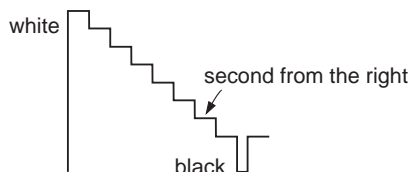
Note: Items 1-162 show adjustment order

5-5. Feature ID Map

	Destination	ID-0	ID-1	ID-2	ID-3	ID-4	ID-5	ID-6	ID-7
KV-32S42	(US)	25	17	31	106	11	129	0	0
KV-32S42	(CND)	89	17	31	58	11	129	0	0
KV-32S66	(US)	25	21	31	106	11	133	6	0
KV-32S66	(CND)	89	21	31	58	11	133	6	0
KV-32V42	(US)	25	23	175	106	11	129	0	0
KV-35S42	(US)	25	17	31	106	139	129	0	0
KV-35S42	(CND)	89	17	31	58	139	129	0	0
KV-35S66	(US)	25	21	31	106	139	133	6	0
KV-35S66	(CND)	89	21	31	58	139	133	6	0
KV-35V42	(US)	25	23	175	106	139	129	0	0

SUB BRIGHT ADJUSTMENT (SBRT)

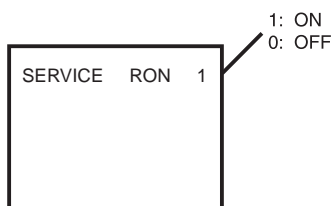
1. Set to Service adjustment Mode.
2. Input a gray scale pattern signal.
3. Set the PICTURE to minimum, and BRIGHT to normal.
4. Select SBRT with **[1]** and **[4]**.
5. Adjust SUB BRIGHT level with **[3]** and **[6]** so that the stripe second from the right is faintly visible.
6. Write into the memory by pressing **[MUTING]** then **[ENTER]****.



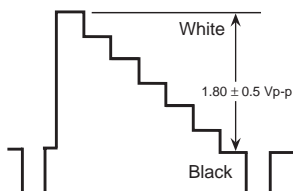
SUB CONTRAST ADJUSTMENT (SCON)

1. Input a color-bar signal.
2. Set to Service adjustment Mode.
3. Select the item DCOL to "0" level.
4. Set the conditions as follows.

PICTURE MAX
 COLOR MIN
 BRIGHT CENTER
 R ON ON (1)
 G ON OFF (0)
 B ON OFF (0)



5. Connect an oscilloscope probe to C Board, CN1761 pin 1 (RED OUT).
6. Select SCON with **[1]** and **[4]**.
7. Adjust with **[3]** and **[6]** for: 1.80 ± 0.05 Vp-p.



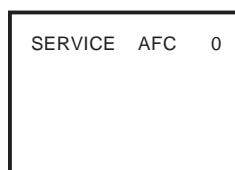
8. Reset the item DCOL to "1" level.
9. Write the memory by pressing **[MUTING]** then **[ENTER]****.

10. Return the following back to normal after adjustment.

PICTURE MAX
 COLOR MIN
 BRIGHT CENTER
 R ON ON (1)
 G ON ON (1)
 B ON ON (1)

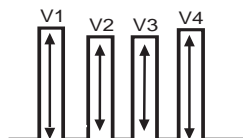
DISPLAY POSITION ADJUSTMENT (DISP)

1. Input a color-bar signal.
2. Set to Service adjustment Mode.
3. Select DISP with **[1]** and **[4]**.
4. Adjust with **[3]** and **[6]** for adjustment of characters to center.
5. Write the memory by pressing **[MUTING]** then **[ENTER]****.



SUB HUE, SUB COLOR ADJUSTMENT (SHUE, SCOL)

1. Input a color-bar signal.
2. Set to Service adjustment Mode.
3. Connect oscilloscope probe to C Board, CN1761 Pin3 (BLUE OUT).
4. Select SHUE and SCOL with **[1]** and **[4]**.
5. Adjust with **[3]** and **[6]** for the $V1 = V4 \pm 0.1$ Vp-p (SCOL) and $V2 = V3 \pm 0.1$ Vp-p (SHUE).



6. Change data according to the following table:

	SCOL	SHUE
32"	+2 steps	-1 steps
35"	+2 steps	-1 steps

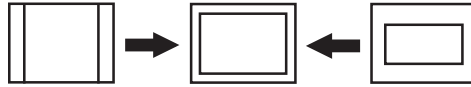
7. Write into the memory by pressing **[MUTING]** then **[ENTER]****.

****WARNING:** Do NOT turn off the power or AC immediately after pressing **[MUTING]** then **[ENTER]**. Wait at least 10 seconds.

V. SIZE ADJUSTMENT (VSIZ)

1. Input a cross-hatch signal.
2. Set to Service Adjustment mode.
3. Select VSIZ with **[1]** and **[4]**.
4. Adjust with **[3]** and **[6]** for the best vertical size.

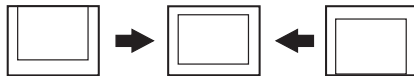
V SIZE



V. POSITION ADJUSTMENT (VPOS)

1. Input a cross-hatch signal.
2. Set to Service Adjustment Mode.
3. Select VPOS with **[1]** and **[4]**.
4. Adjust with **[3]** and **[6]** for the best vertical center.
5. Write into the memory by pressing **[MUTING]** then **[ENTER]****.

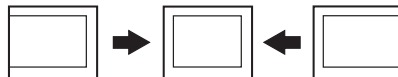
V POSITION



H. POSITION ADJUSTMENT (HPOS)

1. Input a cross-hatch signal.
2. Set the Service Adjustment Mode.
3. Select HPOS with **[1]** and **[4]**.
4. Adjust with **[3]** and **[6]** for the best horizontal center.
5. Write into the memory by pressing **[MUTING]** then **[ENTER]****.

H. POSITION



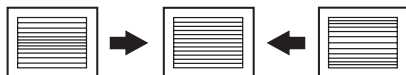
V LINEARITY (VLIN), V CORRECTION (VSCO), PIN AMP (PAMP) AND PIN PHASE (PPHA) ADJUSTMENTS

1. Input a cross-hatch signal.
2. Set to Service Adjustment Mode.
3. Select VLIN, VSCO, PAMP, and PPHA with **[1]** and **[4]**.
4. Adjust with **[3]** and **[6]** for the best picture.
5. Write the memory by Pressing **[MUTING]** then **[ENTER]****.

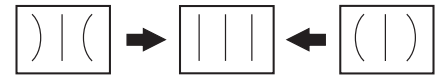
V LINEARITY(VLIN)



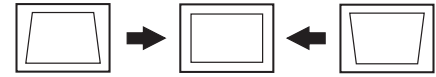
VS CORRECTION (VSCO)



PIN AMP (PAMP)



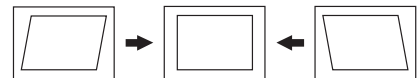
PIN PHASE (PPHA)



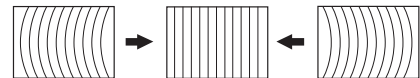
V ANGLE (VANG), V BOW (VBOW), UPPER PIN (UPIN) AND LOW PIN (LPIN) ADJUSTMENTS

1. Input a cross hatch signal.
2. Set to Service adjustment Mode.
3. Select VVANG, VBOW, UPIN, and LPIN with **[1]** and **[4]**.
4. Adjust with **[3]** and **[6]** for the best picture.
5. Write the memory by Pressing **[MUTING]** then **[ENTER]****.

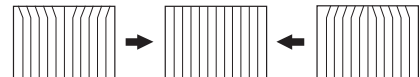
V ANGLE (VANG)



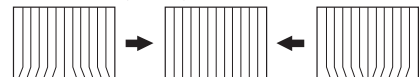
V BOW (VBOW)



UPPER PIN (UPIN)



LOW PIN (LPIN)



P BOARD ADJUSTMENTS

PIP V. POSITION (PIPV), PIP H. POSITION (PIPH)

1. Input a color bar signal.
2. Set to service adjustment mode.
3. Select PHOP with **[1]** and **[4]**.
4. Adjust with **[3]** and **[6]** for the best balanced position at four corner P in P display position.
5. Adjust P in P put at lower right position.
6. Write the memory by Pressing **[MUTING]** then **[ENTER]****.

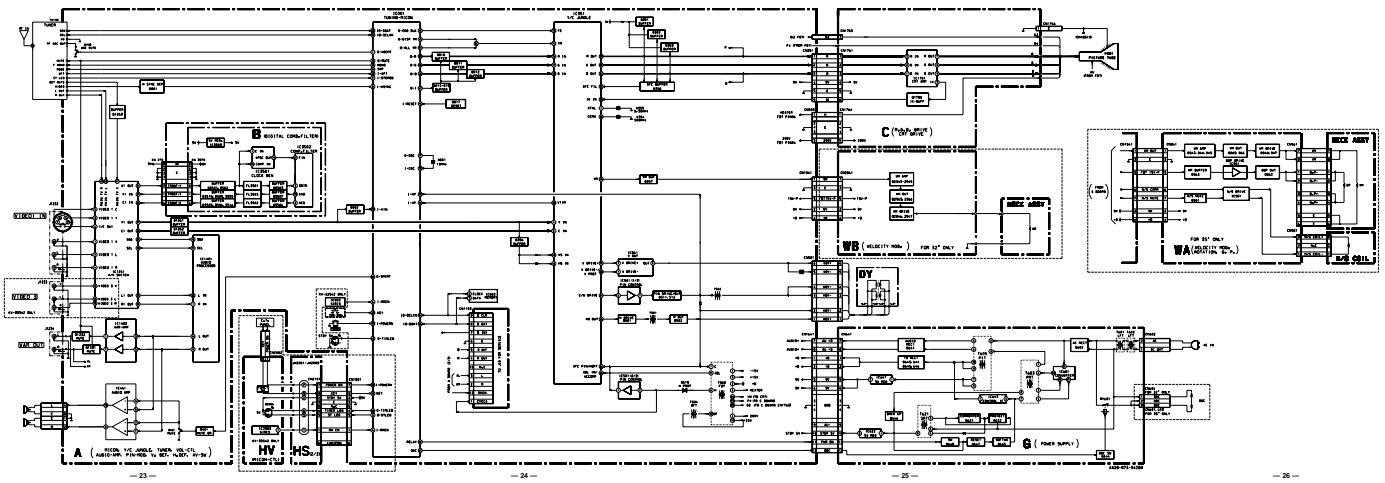
WARNING: Do NOT turn off the power or AC immediately after pressing **[MUTING] then **[ENTER]**. Wait at least 10 seconds.

6.1 BLOCK DIAGRAM (1/1)
(KY-3284235842 ONLY)

SECTION 6
DIAGRAMS



KY-3284235842/4235542/3258612042



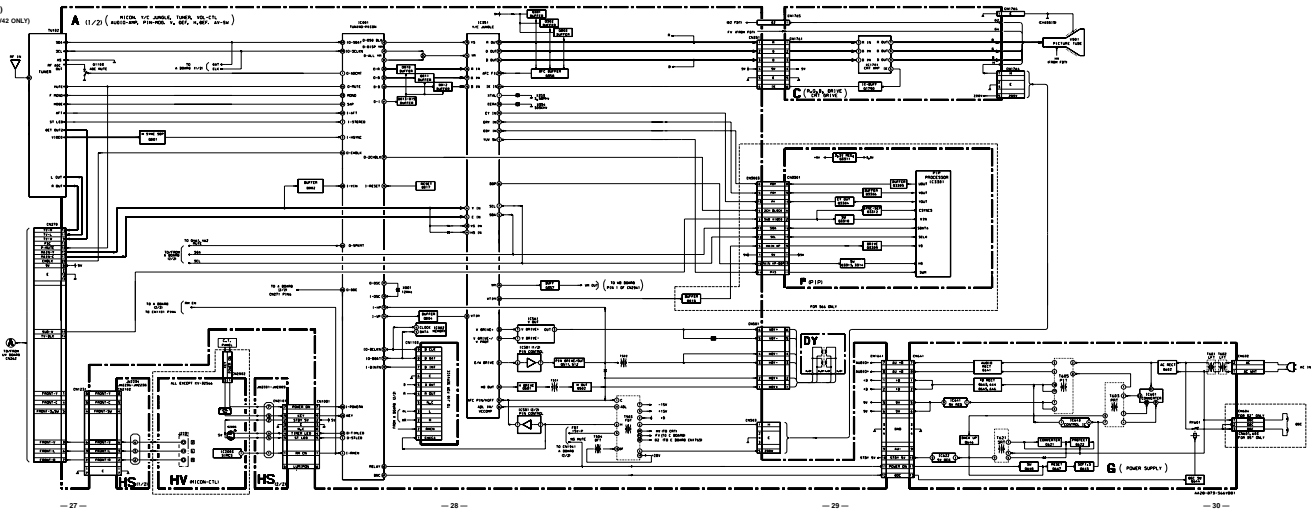
- 23 -

- 24 -

- 25 -

- 26 -

6.2.1 BLOCK DIAGRAM (1/2)
(KV-3256632V4232542355423556635V42 ONLY)



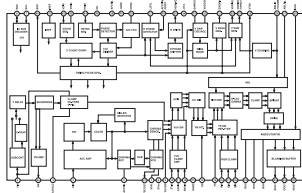
— 27 —

— 28 —

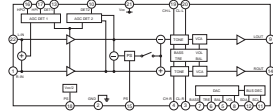
— 29 —

— 30 —

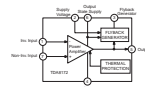
A BOARD: IC351 CXA2055S



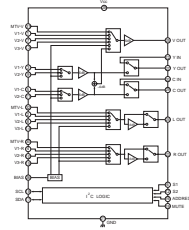
A BOARD: IC1401 CXA2021S



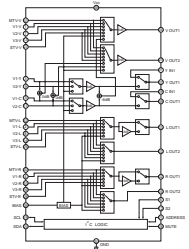
A BOARD: IC561 TDA8172



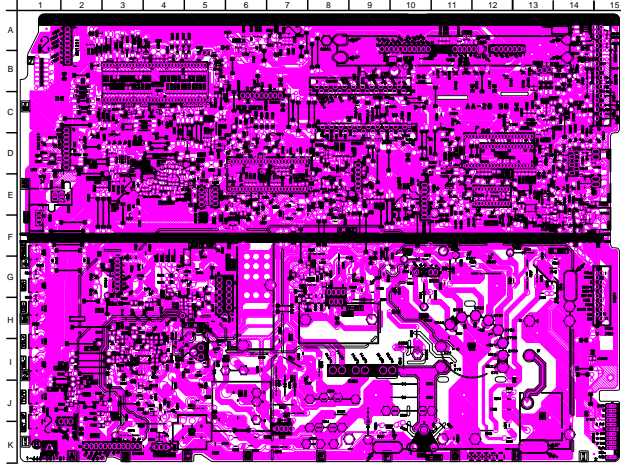
A BOARD: IC1261 MM1311AD



A BOARD: IC1261 MM1313AD



A [MICRO, VIDEO, TUNER, VOL-CTL, AUDIO AMP, PIN-MOD, V-DEF, H-DEF, AV-SIG] (KV-35423582V ONLY)

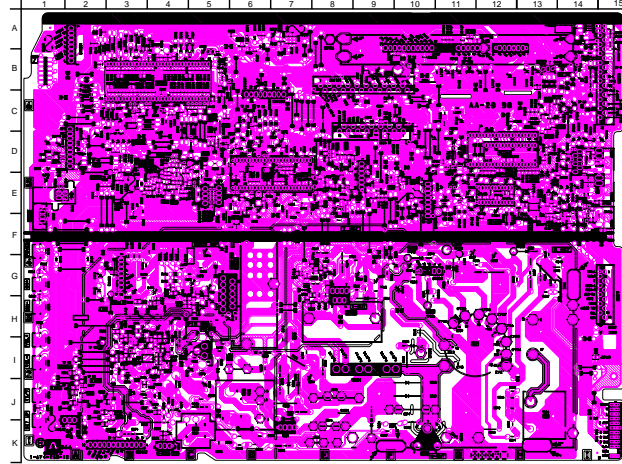


A BOARD LOCATOR LIST (PAGE 39 ONLY)

LOC	TRANSISTOR
A1	2N3858
A2	2N3858
A3	2N3858
A4	2N3858
A5	2N3858
A6	2N3858
A7	2N3858
A8	2N3858
A9	2N3858
A10	2N3858
A11	2N3858
A12	2N3858
A13	2N3858
A14	2N3858
A15	2N3858
A16	2N3858
A17	2N3858
A18	2N3858
A19	2N3858
A20	2N3858
A21	2N3858
A22	2N3858
A23	2N3858
A24	2N3858
A25	2N3858
A26	2N3858
A27	2N3858
A28	2N3858
A29	2N3858
A30	2N3858
A31	2N3858
A32	2N3858
A33	2N3858
A34	2N3858
A35	2N3858
A36	2N3858
A37	2N3858
A38	2N3858
A39	2N3858
A40	2N3858
A41	2N3858
A42	2N3858
A43	2N3858
A44	2N3858
A45	2N3858
A46	2N3858
A47	2N3858
A48	2N3858
A49	2N3858
A50	2N3858
A51	2N3858
A52	2N3858
A53	2N3858
A54	2N3858
A55	2N3858
A56	2N3858
A57	2N3858
A58	2N3858
A59	2N3858
A60	2N3858
A61	2N3858
A62	2N3858
A63	2N3858
A64	2N3858
A65	2N3858
A66	2N3858
A67	2N3858
A68	2N3858
A69	2N3858
A70	2N3858
A71	2N3858
A72	2N3858
A73	2N3858
A74	2N3858
A75	2N3858
A76	2N3858
A77	2N3858
A78	2N3858
A79	2N3858
A80	2N3858
A81	2N3858
A82	2N3858
A83	2N3858
A84	2N3858
A85	2N3858
A86	2N3858
A87	2N3858
A88	2N3858
A89	2N3858
A90	2N3858
A91	2N3858
A92	2N3858
A93	2N3858
A94	2N3858
A95	2N3858
A96	2N3858
A97	2N3858
A98	2N3858
A99	2N3858
A100	2N3858

NOTE: Positions of the circuit marked on above are high +80µg error. Use care to prevent electric shocks during inspection or repair.

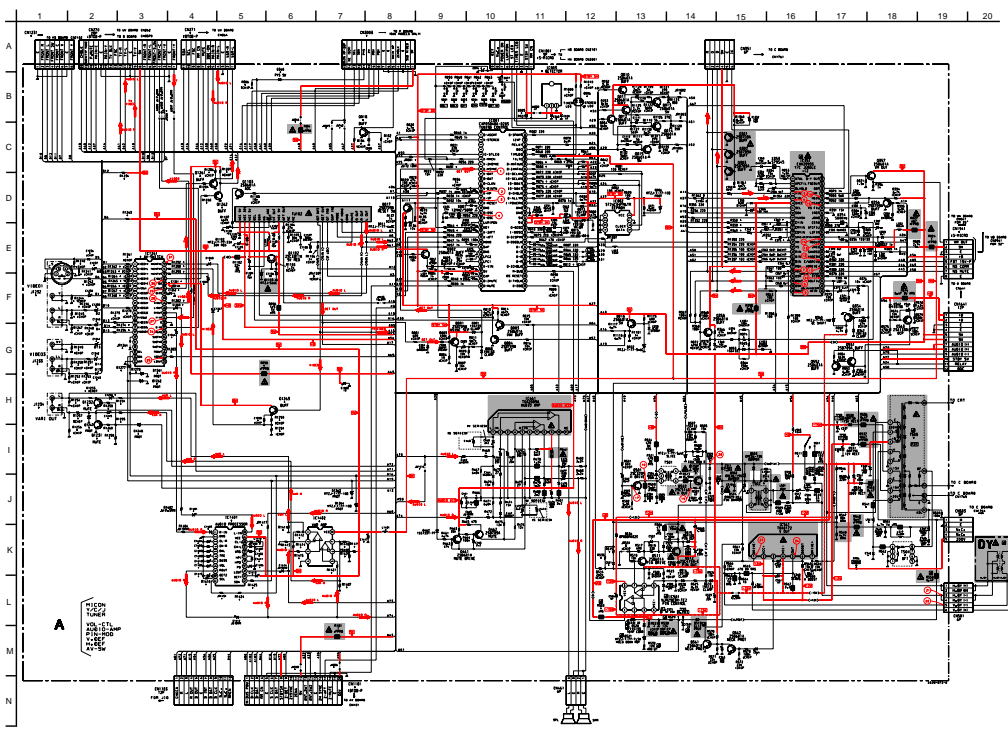
A [MICRO, VIDEO, TUNER, VOL-CTL, AUDIO AMP, PIN-MOD, V-DEF, H-DEF, AV-SIG] (KV-3556 ONLY)



A BOARD LOCATOR LIST (PAGE 41 ONLY)

LOC	TRANSISTOR
A1	2N3858
A2	2N3858
A3	2N3858
A4	2N3858
A5	2N3858
A6	2N3858
A7	2N3858
A8	2N3858
A9	2N3858
A10	2N3858
A11	2N3858
A12	2N3858
A13	2N3858
A14	2N3858
A15	2N3858
A16	2N3858
A17	2N3858
A18	2N3858
A19	2N3858
A20	2N3858
A21	2N3858
A22	2N3858
A23	2N3858
A24	2N3858
A25	2N3858
A26	2N3858
A27	2N3858
A28	2N3858
A29	2N3858
A30	2N3858
A31	2N3858
A32	2N3858
A33	2N3858
A34	2N3858
A35	2N3858
A36	2N3858
A37	2N3858
A38	2N3858
A39	2N3858
A40	2N3858
A41	2N3858
A42	2N3858
A43	2N3858
A44	2N3858
A45	2N3858
A46	2N3858
A47	2N3858
A48	2N3858
A49	2N3858
A50	2N3858
A51	2N3858
A52	2N3858
A53	2N3858
A54	2N3858
A55	2N3858
A56	2N3858
A57	2N3858
A58	2N3858
A59	2N3858
A60	2N3858
A61	2N3858
A62	2N3858
A63	2N3858
A64	2N3858
A65	2N3858
A66	2N3858
A67	2N3858
A68	2N3858
A69	2N3858
A70	2N3858
A71	2N3858
A72	2N3858
A73	2N3858
A74	2N3858
A75	2N3858
A76	2N3858
A77	2N3858
A78	2N3858
A79	2N3858
A80	2N3858
A81	2N3858
A82	2N3858
A83	2N3858
A84	2N3858
A85	2N3858
A86	2N3858
A87	2N3858
A88	2N3858
A89	2N3858
A90	2N3858
A91	2N3858
A92	2N3858
A93	2N3858
A94	2N3858
A95	2N3858
A96	2N3858
A97	2N3858
A98	2N3858
A99	2N3858
A100	2N3858

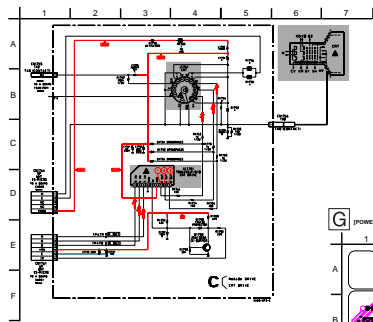
NOTE: Positions of the circuit marked on above are high +80µg error. Use care to prevent electric shocks during inspection or repair.



A BOARD MARK (T) LIST

MARK	QTY	SYMBOL	DESCRIPTION	MANUFACTURER	REMARKS
10001	1	R10001	RES	10K	
10002	1	R10002	RES	10K	
10003	1	R10003	RES	10K	
10004	1	R10004	RES	10K	
10005	1	R10005	RES	10K	
10006	1	R10006	RES	10K	
10007	1	R10007	RES	10K	
10008	1	R10008	RES	10K	
10009	1	R10009	RES	10K	
10010	1	R10010	RES	10K	
10011	1	R10011	RES	10K	
10012	1	R10012	RES	10K	
10013	1	R10013	RES	10K	
10014	1	R10014	RES	10K	
10015	1	R10015	RES	10K	
10016	1	R10016	RES	10K	
10017	1	R10017	RES	10K	
10018	1	R10018	RES	10K	
10019	1	R10019	RES	10K	
10020	1	R10020	RES	10K	
10021	1	R10021	RES	10K	
10022	1	R10022	RES	10K	
10023	1	R10023	RES	10K	
10024	1	R10024	RES	10K	
10025	1	R10025	RES	10K	
10026	1	R10026	RES	10K	
10027	1	R10027	RES	10K	
10028	1	R10028	RES	10K	
10029	1	R10029	RES	10K	
10030	1	R10030	RES	10K	
10031	1	R10031	RES	10K	
10032	1	R10032	RES	10K	
10033	1	R10033	RES	10K	
10034	1	R10034	RES	10K	
10035	1	R10035	RES	10K	
10036	1	R10036	RES	10K	
10037	1	R10037	RES	10K	
10038	1	R10038	RES	10K	
10039	1	R10039	RES	10K	
10040	1	R10040	RES	10K	
10041	1	R10041	RES	10K	
10042	1	R10042	RES	10K	
10043	1	R10043	RES	10K	
10044	1	R10044	RES	10K	
10045	1	R10045	RES	10K	
10046	1	R10046	RES	10K	
10047	1	R10047	RES	10K	
10048	1	R10048	RES	10K	
10049	1	R10049	RES	10K	
10050	1	R10050	RES	10K	
10051	1	R10051	RES	10K	
10052	1	R10052	RES	10K	
10053	1	R10053	RES	10K	
10054	1	R10054	RES	10K	
10055	1	R10055	RES	10K	
10056	1	R10056	RES	10K	
10057	1	R10057	RES	10K	
10058	1	R10058	RES	10K	
10059	1	R10059	RES	10K	
10060	1	R10060	RES	10K	
10061	1	R10061	RES	10K	
10062	1	R10062	RES	10K	
10063	1	R10063	RES	10K	
10064	1	R10064	RES	10K	
10065	1	R10065	RES	10K	
10066	1	R10066	RES	10K	
10067	1	R10067	RES	10K	
10068	1	R10068	RES	10K	
10069	1	R10069	RES	10K	
10070	1	R10070	RES	10K	
10071	1	R10071	RES	10K	
10072	1	R10072	RES	10K	
10073	1	R10073	RES	10K	
10074	1	R10074	RES	10K	
10075	1	R10075	RES	10K	
10076	1	R10076	RES	10K	
10077	1	R10077	RES	10K	
10078	1	R10078	RES	10K	
10079	1	R10079	RES	10K	
10080	1	R10080	RES	10K	
10081	1	R10081	RES	10K	
10082	1	R10082	RES	10K	
10083	1	R10083	RES	10K	
10084	1	R10084	RES	10K	
10085	1	R10085	RES	10K	
10086	1	R10086	RES	10K	
10087	1	R10087	RES	10K	
10088	1	R10088	RES	10K	
10089	1	R10089	RES	10K	
10090	1	R10090	RES	10K	
10091	1	R10091	RES	10K	
10092	1	R10092	RES	10K	
10093	1	R10093	RES	10K	
10094	1	R10094	RES	10K	
10095	1	R10095	RES	10K	
10096	1	R10096	RES	10K	
10097	1	R10097	RES	10K	
10098	1	R10098	RES	10K	
10099	1	R10099	RES	10K	
10100	1	R10100	RES	10K	

C BOARD SCHEMATIC DIAGRAM



C BOARD WAVEFORMS



C BOARD IC VOLTAGE LIST

IC	V1	V2	V3	V4	V5	V6	V7	V8	V9	V10	V11	V12	V13	V14	V15	V16	V17	V18	V19	V20
IC1	0V	0V	0V	0V	0V	0V	0V	0V	0V	0V	0V	0V	0V	0V	0V	0V	0V	0V	0V	0V

C BOARD MARK (T) LIST

MARK	TYPE	VALUE	RESISTANCE	INDUCTANCE
IC1	IC	74LS123		
IC2	IC	74LS123		
IC3	IC	74LS123		
IC4	IC	74LS123		
IC5	IC	74LS123		
IC6	IC	74LS123		
IC7	IC	74LS123		
IC8	IC	74LS123		
IC9	IC	74LS123		
IC10	IC	74LS123		
IC11	IC	74LS123		
IC12	IC	74LS123		
IC13	IC	74LS123		
IC14	IC	74LS123		
IC15	IC	74LS123		
IC16	IC	74LS123		
IC17	IC	74LS123		
IC18	IC	74LS123		
IC19	IC	74LS123		
IC20	IC	74LS123		

C BOARD TRANSISTOR VOLTAGE LIST

TRANSISTOR	V1	V2	V3	V4
Q1	0V	0V	0V	0V
Q2	0V	0V	0V	0V
Q3	0V	0V	0V	0V
Q4	0V	0V	0V	0V
Q5	0V	0V	0V	0V
Q6	0V	0V	0V	0V
Q7	0V	0V	0V	0V
Q8	0V	0V	0V	0V
Q9	0V	0V	0V	0V
Q10	0V	0V	0V	0V
Q11	0V	0V	0V	0V
Q12	0V	0V	0V	0V
Q13	0V	0V	0V	0V
Q14	0V	0V	0V	0V
Q15	0V	0V	0V	0V
Q16	0V	0V	0V	0V
Q17	0V	0V	0V	0V
Q18	0V	0V	0V	0V
Q19	0V	0V	0V	0V
Q20	0V	0V	0V	0V

G BOARD LOCATOR LIST

LOCATOR	TYPE	VALUE
IC1	IC	74LS123
IC2	IC	74LS123
IC3	IC	74LS123
IC4	IC	74LS123
IC5	IC	74LS123
IC6	IC	74LS123
IC7	IC	74LS123
IC8	IC	74LS123
IC9	IC	74LS123
IC10	IC	74LS123
IC11	IC	74LS123
IC12	IC	74LS123
IC13	IC	74LS123
IC14	IC	74LS123
IC15	IC	74LS123
IC16	IC	74LS123
IC17	IC	74LS123
IC18	IC	74LS123
IC19	IC	74LS123
IC20	IC	74LS123

G BOARD IC VOLTAGE LIST

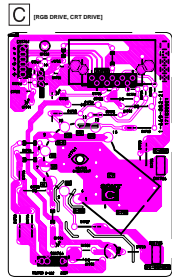
IC	V1	V2	V3	V4	V5	V6	V7	V8	V9	V10	V11	V12	V13	V14	V15	V16	V17	V18	V19	V20
IC1	0V	0V	0V	0V	0V	0V	0V	0V	0V	0V	0V	0V	0V	0V	0V	0V	0V	0V	0V	0V

G BOARD TRANSISTOR VOLTAGE LIST

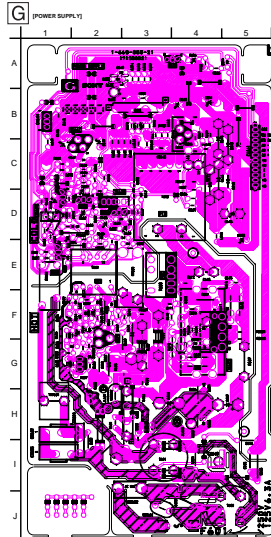
TRANSISTOR	V1	V2	V3	V4
Q1	0V	0V	0V	0V
Q2	0V	0V	0V	0V
Q3	0V	0V	0V	0V
Q4	0V	0V	0V	0V
Q5	0V	0V	0V	0V
Q6	0V	0V	0V	0V
Q7	0V	0V	0V	0V
Q8	0V	0V	0V	0V
Q9	0V	0V	0V	0V
Q10	0V	0V	0V	0V
Q11	0V	0V	0V	0V
Q12	0V	0V	0V	0V
Q13	0V	0V	0V	0V
Q14	0V	0V	0V	0V
Q15	0V	0V	0V	0V
Q16	0V	0V	0V	0V
Q17	0V	0V	0V	0V
Q18	0V	0V	0V	0V
Q19	0V	0V	0V	0V
Q20	0V	0V	0V	0V

G BOARD MARK (T) LIST

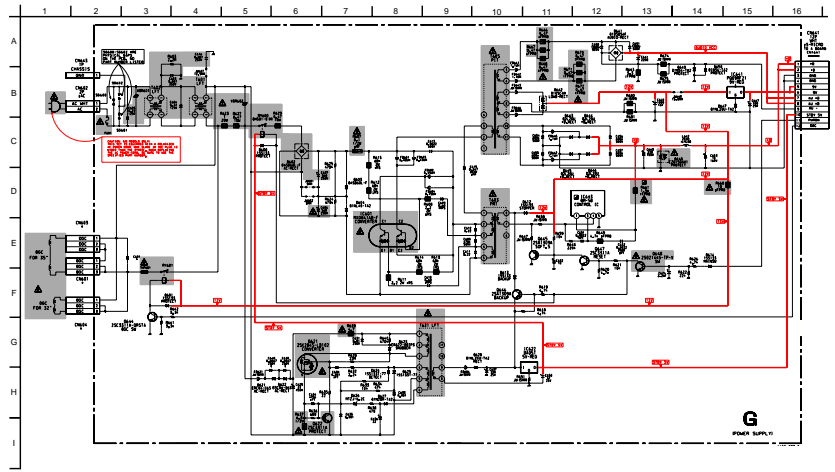
MARK	TYPE	VALUE	RESISTANCE	INDUCTANCE
IC1	IC	74LS123		
IC2	IC	74LS123		
IC3	IC	74LS123		
IC4	IC	74LS123		
IC5	IC	74LS123		
IC6	IC	74LS123		
IC7	IC	74LS123		
IC8	IC	74LS123		
IC9	IC	74LS123		
IC10	IC	74LS123		
IC11	IC	74LS123		
IC12	IC	74LS123		
IC13	IC	74LS123		
IC14	IC	74LS123		
IC15	IC	74LS123		
IC16	IC	74LS123		
IC17	IC	74LS123		
IC18	IC	74LS123		
IC19	IC	74LS123		
IC20	IC	74LS123		



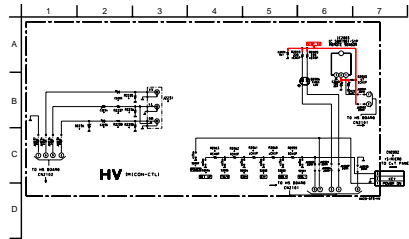
NOTE: Portions of the circuit marked as shown are high-voltage areas. Use care to prevent electric shocks during inspection or repair.



G BOARD SCHEMATIC DIAGRAM



HV BOARD SCHEMATIC DIAGRAM (KV-32V4235S4235566/35V42 ONLY)



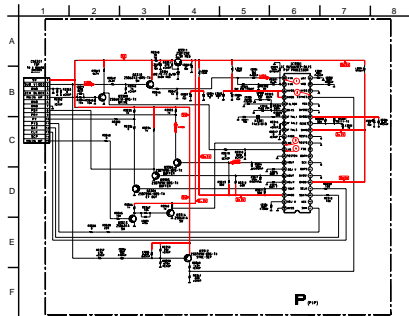
HV BOARD MARK (T) LIST

MARK	LOC	DESCRIPTION	QTY
U1001	2D	120V	1
U1002	2E	120V	1
U1003	2F	120V	1
U1004	3D	120V	1
U1005	3E	120V	1
U1006	3F	120V	1
U1007	4D	120V	1
U1008	4E	120V	1
U1009	4F	120V	1
U1010	5D	120V	1
U1011	5E	120V	1
U1012	5F	120V	1
U1013	6D	120V	1
U1014	6E	120V	1
U1015	6F	120V	1

HV BOARD IC VOLTAGE LIST

IC	LOC	VOLTAGE
U1001	2D	120V
U1002	2E	120V
U1003	2F	120V
U1004	3D	120V
U1005	3E	120V
U1006	3F	120V
U1007	4D	120V
U1008	4E	120V
U1009	4F	120V
U1010	5D	120V
U1011	5E	120V
U1012	5F	120V
U1013	6D	120V
U1014	6E	120V
U1015	6F	120V

P BOARD SCHEMATIC DIAGRAM (KV-32S66/35S66 ONLY)

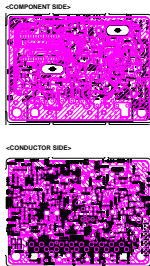


P BOARD IC VOLTAGE LIST

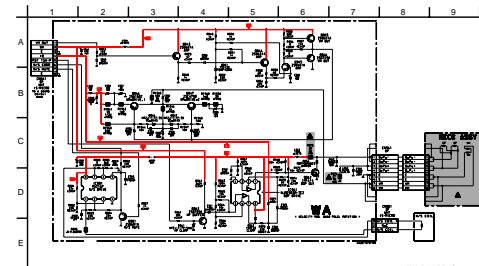
IC	LOC	VOLTAGE
U2001	1B	120V
U2002	1C	120V
U2003	1D	120V
U2004	1E	120V
U2005	1F	120V
U2006	2B	120V
U2007	2C	120V
U2008	2D	120V
U2009	2E	120V
U2010	2F	120V
U2011	3B	120V
U2012	3C	120V
U2013	3D	120V
U2014	3E	120V
U2015	3F	120V
U2016	4B	120V
U2017	4C	120V
U2018	4D	120V
U2019	4E	120V
U2020	4F	120V



P in P ENCODE (KV-32S66/35S66 ONLY)

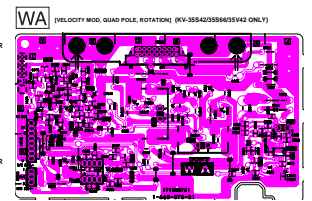


WA BOARD SCHEMATIC DIAGRAM (KV-35S4235566/35V42 ONLY)



WA BOARD TRANSISTOR VOLTAGE LIST

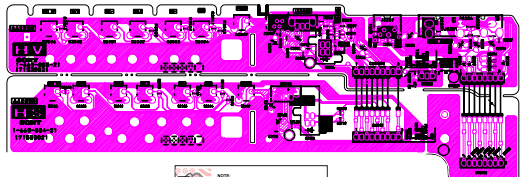
TRANSISTOR	LOC	VOLTAGE
Q1001	1D	120V
Q1002	1E	120V
Q1003	1F	120V
Q1004	2D	120V
Q1005	2E	120V
Q1006	2F	120V
Q1007	3D	120V
Q1008	3E	120V
Q1009	3F	120V
Q1010	4D	120V
Q1011	4E	120V
Q1012	4F	120V



WA BOARD IC VOLTAGE LIST

IC	LOC	VOLTAGE
U3001	1D	120V
U3002	1E	120V
U3003	1F	120V
U3004	2D	120V
U3005	2E	120V
U3006	2F	120V
U3007	3D	120V
U3008	3E	120V
U3009	3F	120V
U3010	4D	120V
U3011	4E	120V
U3012	4F	120V

HV HS BOARD SCHEMATIC DIAGRAM (KV-32V4235S4235566/35V42 ONLY)

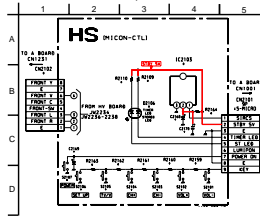


HS BOARD IC VOLTAGE LIST

IC	LOC	VOLTAGE
U4001	1A	120V
U4002	1B	120V
U4003	1C	120V
U4004	1D	120V

NOTE: Locations of this circuit marked as shown are high voltage locations. They should be treated as high voltage during inspection or repair to prevent electric shock.

HS BOARD SCHEMATIC DIAGRAM (KV-32S66/35V4235S4235566/35V42 ONLY)



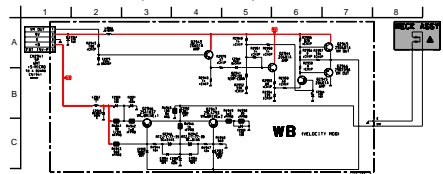
HS BOARD MARK (T) LIST

MARK	LOC	DESCRIPTION	QTY
U4001	1A	120V	1
U4002	1B	120V	1
U4003	1C	120V	1
U4004	1D	120V	1
U4005	1E	120V	1
U4006	1F	120V	1
U4007	2A	120V	1
U4008	2B	120V	1
U4009	2C	120V	1
U4010	2D	120V	1
U4011	2E	120V	1
U4012	2F	120V	1
U4013	3A	120V	1
U4014	3B	120V	1
U4015	3C	120V	1
U4016	3D	120V	1
U4017	3E	120V	1
U4018	3F	120V	1
U4019	4A	120V	1
U4020	4B	120V	1
U4021	4C	120V	1
U4022	4D	120V	1
U4023	4E	120V	1
U4024	4F	120V	1

P BOARD TRANSISTOR VOLTAGE LIST

TRANSISTOR	LOC	VOLTAGE
Q2001	1B	120V
Q2002	1C	120V
Q2003	1D	120V
Q2004	1E	120V
Q2005	1F	120V
Q2006	2B	120V
Q2007	2C	120V
Q2008	2D	120V
Q2009	2E	120V
Q2010	2F	120V
Q2011	3B	120V
Q2012	3C	120V
Q2013	3D	120V
Q2014	3E	120V
Q2015	3F	120V
Q2016	4B	120V
Q2017	4C	120V
Q2018	4D	120V
Q2019	4E	120V
Q2020	4F	120V

WB BOARD SCHEMATIC DIAGRAM (KV-32S4235566/35V42 ONLY)



WB BOARD TRANSISTOR VOLTAGE LIST

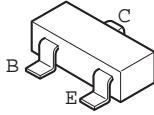
TRANSISTOR	LOC	VOLTAGE
Q3001	1A	120V
Q3002	1B	120V
Q3003	1C	120V
Q3004	1D	120V
Q3005	1E	120V
Q3006	1F	120V
Q3007	2A	120V
Q3008	2B	120V
Q3009	2C	120V
Q3010	2D	120V
Q3011	2E	120V
Q3012	2F	120V

WB BOARD SCHEMATIC DIAGRAM (KV-32S4235566/35V42 ONLY)



6-5. SEMICONDUCTORS

DTC114EK
2SC1623-L5L6
2SA1330-06
2SA1162-G
2SD601A-Q



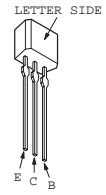
2SC3209LK



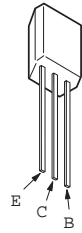
2SA1837
2SC4159-E



2SA1175-HFE
2SC2785-HFE



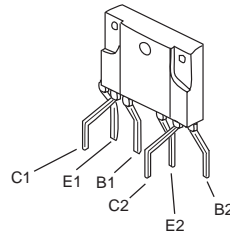
2SD2144S-V



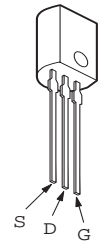
IRF614



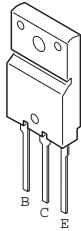
MX0841



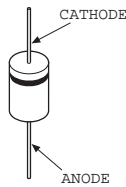
2SK2845-LB102



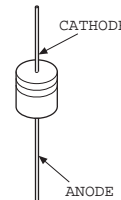
2SC5148



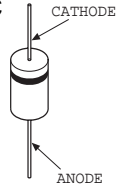
ERC06-15S
ISSI33T-77



D1NS4
D1N20R
MTZJ-3.3
MTZJ-33A
RD10ESB2
RD39ES-B2
RD5.6ESB2
RD6.2ESB2



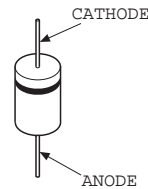
D2L20U
EL1Z
EZD150AV1
GP08D
MTZJ-T-77-4.3C
EGP20G



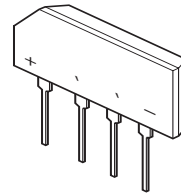
2SC4834M



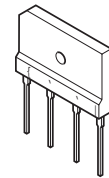
EGP30D
ERD29-08J



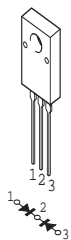
D10SBS4F



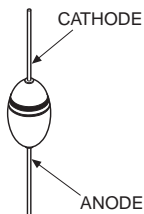
D4SB60L
D1NL40-TA2



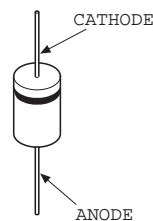
D10SC4M



U05G



D1NL20U



SECTION 7 EXPLODED VIEW

- Items with no part number and no description are not stocked because they are seldom required for routine service.
- The component parts of an assembly are indicated by the reference numbers in the remarks column.
- Items marked * are not stocked since they are seldom required for routine service. Some delay should be anticipated when ordering these items.

Note:

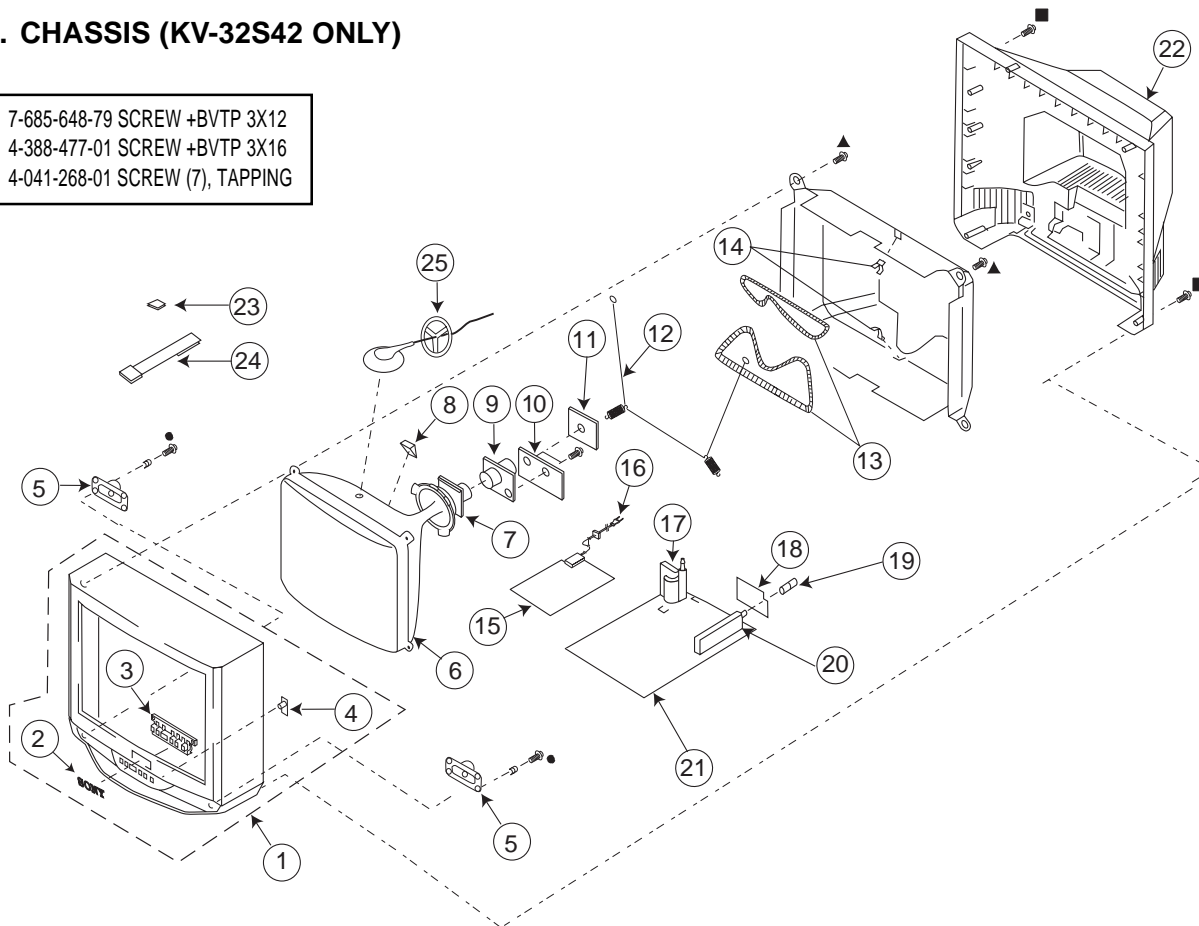
The components identified by shading and mark \triangle are critical for safety. Replace only with part number specified.

Note:

Les composants identifiés par un triangle et une marque \triangle sont critiques pour la sécurité. Ne les remplacer que par une pièce portant le numéro spécifié.

7-1. CHASSIS (KV-32S42 ONLY)

- 7-685-648-79 SCREW +BVTP 3X12
- 4-388-477-01 SCREW +BVTP 3X16
- ▲ 4-041-268-01 SCREW (7), TAPPING



REF.NO.	PART NO.	DESCRIPTION	REMARK	REF.NO.	PART NO.	DESCRIPTION	REMARK
1	X-4035-771-1	BEZNET ASSY	2-4	16	\triangle 1-790-315-21	CORD, AC POWER(WITH CONNECTOR)	
2	4-046-160-11	EMBLEM (NO.9), SONY		17	\triangle 1-453-207-11	FBT ASSY NX-2609//X4C	
3	4-063-573-01	BUTTON, MULTI		18	* A-1135-950-A	B COMPLETE PC BOARD	
4	4-063-570-01	GUIDE, LED		19	1-766-374-11	PLUG, F-PIN	
5	1-504-531-11	SPEAKER (13.1X6.2CM)		20	\triangle 8-598-431-00	TUNER, FSS BTF-WA411	
6	\triangle 8-733-757-05	CRT 34FX2T (FOR N.A.AREA)		21	* A-1299-001-A	A COMPLETE PC BOARD	
7	\triangle 8-451-482-11	DY Y34FXA2-V		22	4-063-852-01	COVER, REAR	
8	4-053-005-01	SPACER, DY		23	1-452-885-11	MAGNET, LANDING	
9	\triangle 1-452-579-21	NECK ASSY, CRT (NA322)		24	4-062-047-01	PIECE A(110), CONV CORRECT	
10	* A-1372-508-A	WB MOUNTED PC BOARD		25	3-704-372-31	HOLDER, HV CABLE	
11	* A-1331-837-A	C (VAR) MOUNTED PC					
12	4-036-329-01	SPRING (B), TENSION					
13	\triangle 1-402-952-11	COIL, DEMAGNETIZATION					
14	* 4-371-629-01	STOPPER, WIRE					
15	* A-1316-389-A	G COMPLETE PC BOARD					

Note:

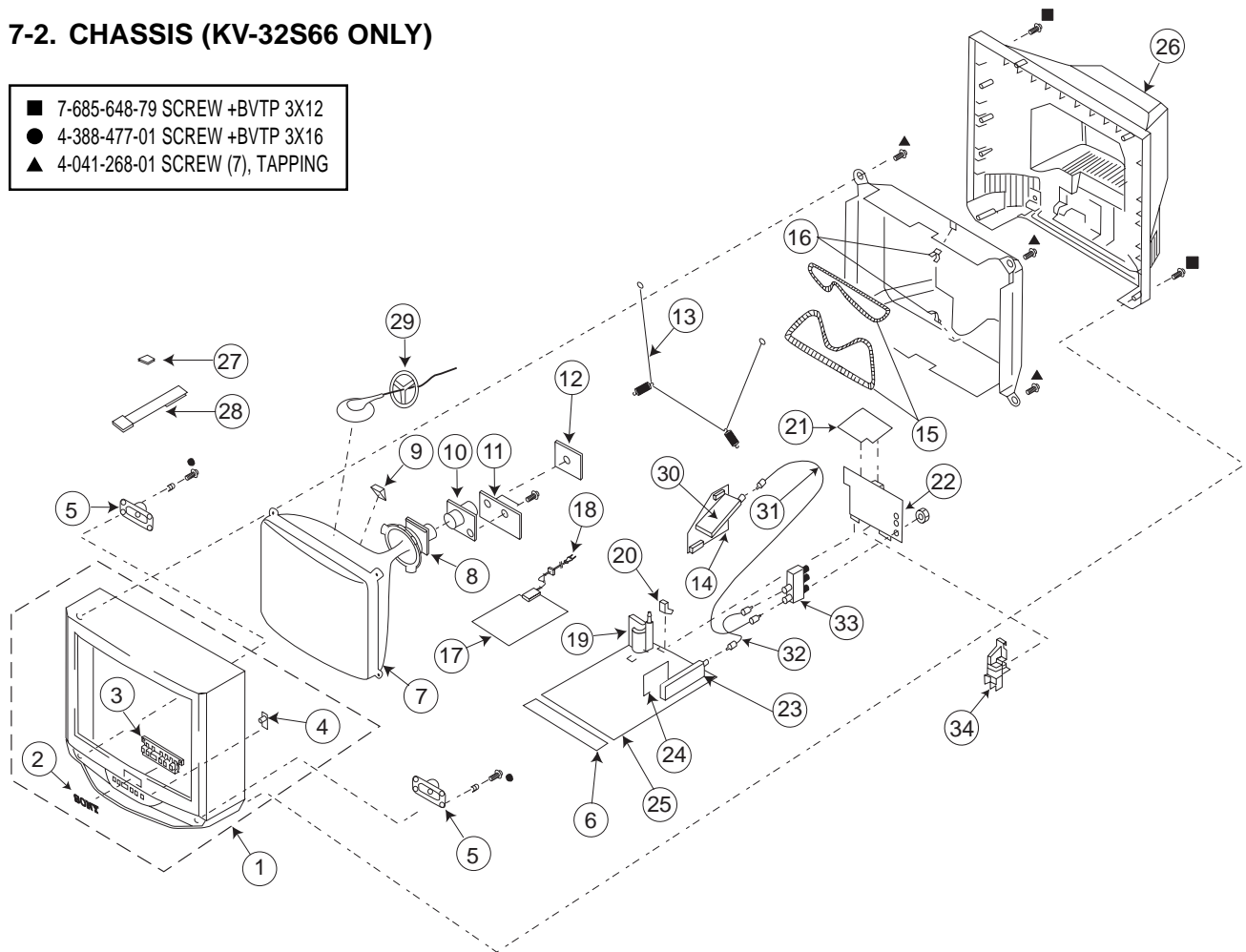
The components identified by shading and mark ▲ are critical for safety. Replace only with part number specified.

Note:

Les composants identifiés par un trame et une marque ▲ sont critiques pour la sécurité. Ne les remplacer que par une pièce portant le numéro spécifié.

7-2. CHASSIS (KV-32S66 ONLY)

- 7-685-648-79 SCREW +BVTP 3X12
- 4-388-477-01 SCREW +BVTP 3X16
- ▲ 4-041-268-01 SCREW (7), TAPPING



REF.NO.	PART.NO.	DESCRIPTION	REMARK	REF.NO.	PART.NO.	DESCRIPTION	REMARK
1	X-4035-773-1	BEZNET ASSY	2-4	21	* A-1135-949-A	B COMPLETE PC BOARD	
2	4-046-160-11	EMBLEM (NO.9), SONY		22	* A-1394-910-A	UV COMPLETE PC BOARD	
3	4-063-573-01	BUTTON, MULTI		23	▲ 8-598-431-00	TUNER, FSS BTF-WA411	
4	4-063-570-01	GUIDE, LED		24	* A-1195-154-A	P COMPLETE PC BOARD	
5	1-504-531-11	SPEAKER (13.1X6.2CM)		25	* A-1298-997-A	A COMPLETE PC BOARD	
6	* A-1372-519-A	HS (VAR) MOUNTED PC		26	4-064-760-11	COVER, REAR	
7	▲ 8-733-757-05	CRT 34FX2T (FOR N.A.AREA)		27	1-452-885-11	MAGNET, LANDING	
8	▲ 8-451-482-11	DY Y34FXA2-V		28	4-062-047-01	PIECE A(110), CONV CORRECT	
9	4-053-005-01	SPACER, DY		29	3-704-372-31	HOLDER, HV CABLE	
10	▲ 1-452-579-21	NECK ASSY, CRT (NA322)		30	▲ 8-598-430-00	TUNER, FSS BTF-FA401	
11	* A-1372-508-A	WB MOUNTED PC BOARD		31	* 1-556-945-21	CABLE, P-P	
12	* A-1331-837-A	C (VAR) MOUNTED PC		32	* 1-557-056-31	CABLE, P-P	
13	4-036-329-01	SPRING (B), TENSION		33	8-598-414-10	CHANGER, ANTENNA AS-2F	
14	* A-1298-612-A	AV COMPLETE PC BOARD		34	* 4-052-905-01	V5/6 BRACKET	
15	▲ 1-402-952-11	COIL, DEMAGNETIZATION					
16	4-371-629-01	STOPPER, WIRE					
17	* A-1316-389-A	G COMPLETE PC BOARD					
18	▲ 1-790-315-21	CORD, AC POWER(WITH CONNECTOR)					
19	▲ 1-453-207-11	FBT ASSY NX-2609//X4C					
20	4-064-530-01	CLIP, CHASSIS					

Note:

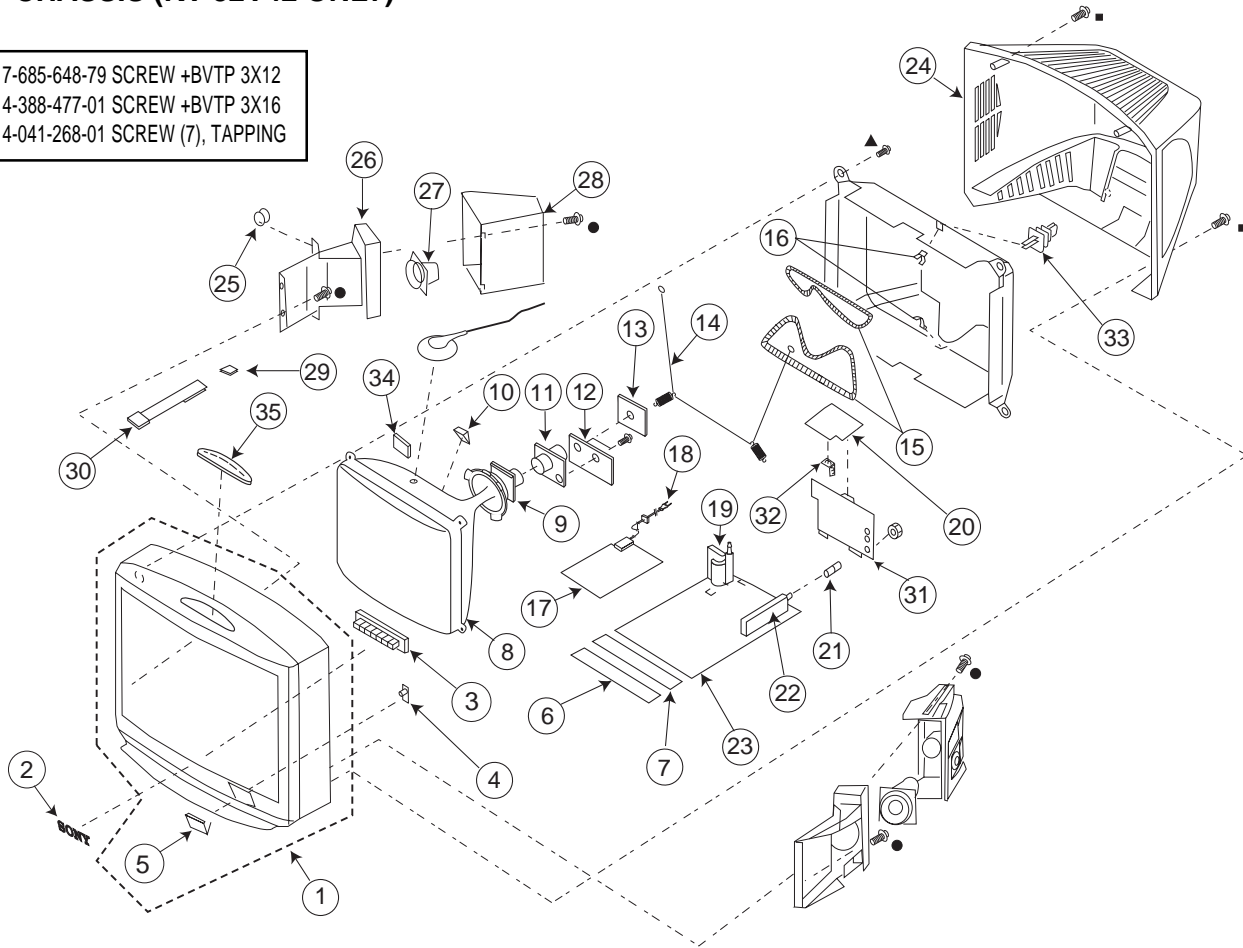
The components identified by shading and mark \triangle are critical for safety. Replace only with part number specified.

Note:

Les composants identifiés par un triangle et une marque \triangle sont critiques pour la sécurité. Ne les remplacer que par une pièce portant le numéro spécifié.

7-3. CHASSIS (KV-32V42 ONLY)

- 7-685-648-79 SCREW +BVTP 3X12
- 4-388-477-01 SCREW +BVTP 3X16
- ▲ 4-041-268-01 SCREW (7), TAPPING



REF.NO.	PART.NO.	DESCRIPTION	REMARK	REF.NO.	PART.NO.	DESCRIPTION	REMARK
1	X-4036-561-1	BEZNET ASSY	5	21	1-766-374-11	PLUG, F-PIN	
2	4-046-160-01	EMBLEM (NO.9), SONY		22	\triangle 8-598-431-00	TUNER, FSS BTF-WA411	
3	4-052-907-11	BUTTON, MULTI		23	* A-1298-999-A	A COMPLETE PC BOARD	
4	* 4-052-897-01	GUIDE, LED		24	4-053-766-31	COVER, REAR	
5	4-052-906-11	DOOR, CONTROL		25	4-374-745-31	CUSHION (A)	
6	* A-1372-510-A	HS (VAR) MOUNTED PC		26	X-4035-400-1	BAFFLE ASSY, SPEAKER	25
7	* A-1372-684-A	HV (VAR) MOUNTED PC		27	1-504-524-31	SPEAKER (8CM)	
8	\triangle 8-733-757-05	CRT 34FX2T (FOR N.A.AREA)		28	X-4035-401-1	COVER ASSY, SPEAKER	
9	\triangle 8-451-482-11	DY Y34FXA2-V		29	1-452-885-11	MAGNET, LANDING	
10	4-053-005-01	SPACER, DY		30	4-062-047-01	PIECE A(110), CONV CORRECT	
11	\triangle 1-452-579-21	NECK ASSY, CRT (NA322)		31	* A-1394-905-A	UV COMPLETE PC BOARD	
12	* A-1372-508-A	WB MOUNTED PC BOARD		32	* 3-696-606-02	HINGE, VI	
13	* A-1331-837-A	C (VAR) MOUNTED PC		33	4-033-681-01	HOLDER, LEAD	
14	4-036-329-01	SPRING (B), TENSION		34	* 4-064-378-01	CUSHION (20 MM), CRT	
15	\triangle 1-402-952-11	COIL, DEMAGNETIZATION		35	1-473-549-21	SWITCH, BLOCK CONTROL	
16	* 4-371-629-01	STOPPER, WIRE					
17	* A-1316-389-A	G COMPLETE PC BOARD					
18	\triangle 1-790-315-11	CORD, AC POWER(WITH CONNECTOR)					
19	\triangle 1-453-207-11	FBT ASSY NX-2609//X4C					
20	* A-1135-948-A	B COMPLETE PC BOARD					

Note:

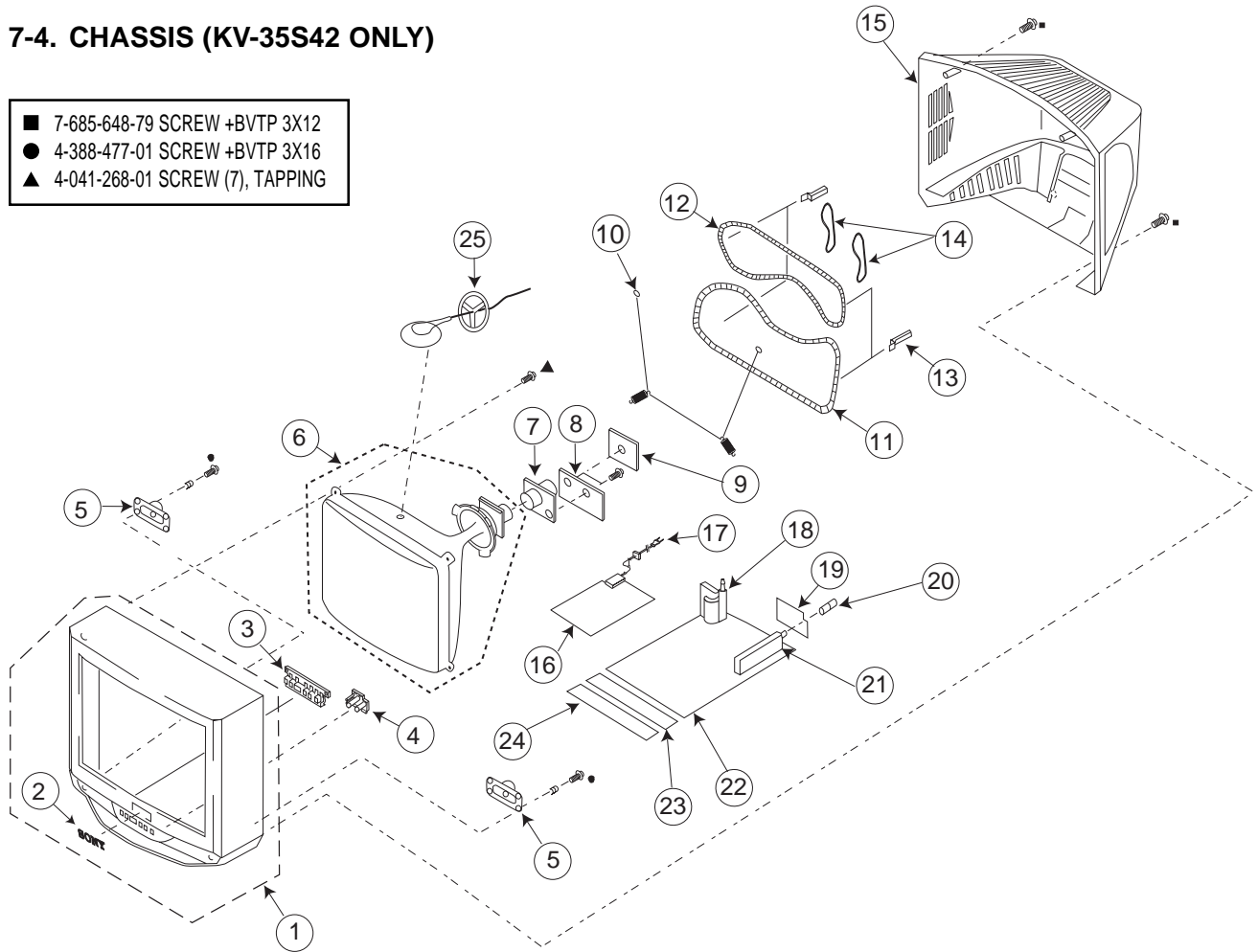
The components identified by shading and mark \triangle are critical for safety. Replace only with part number specified.

Note:

Les composants identifiés par un trame et une marque \triangle sont critiques pour la sécurité. Ne les remplacer que par une pièce portant le numéro spécifié.

7-4. CHASSIS (KV-35S42 ONLY)

- 7-685-648-79 SCREW +BVTP 3X12
- 4-388-477-01 SCREW +BVTP 3X16
- ▲ 4-041-268-01 SCREW (7), TAPPING



REF.NO.	PART.NO.	DESCRIPTION	REMARK
1	X-4035-596-1	BEZNET ASSY	2
2	4-046-160-01	EMBLEM (NO.9), SONY	
3	4-058-053-11	BUTTON, MULTI	
4	4-058-054-01	BAR, OPTICAL	
5	1-504-531-11	SPEAKER (13.1X6.2CM)	
6	\triangle 8-733-761-61	ITC 37GXT-A1/A1597168A	
7	\triangle 8-453-007-51	NA324-M5	
8	* A-1372-462-A	WA MOUNTED PWB	
9	* A-1331-843-A	C (VAR) MOUNTED PC	
10	4-036-329-01	SPRING (B), TENSION	
11	\triangle 1-411-881-21	COIL, DEGAUSSING	
12	\triangle 1-411-882-21	COIL, DEGAUSSING	
13	* 4-052-900-02	HOLDER, DGC	
14	4-059-585-01	TIE, CABLE	
15	4-058-052-22	COVER, REAR	

REF.NO.	PART.NO.	DESCRIPTION	REMARK
16	* A-1316-399-A	G COMPLETE PC BOARD	
17	\triangle 1-790-315-11	CORD, AC POWER(WITH CONNECTOR)	
17	\triangle 1-751-059-11	CORD, POWER (WITH CONNECTOR) (35S42CND ONLY)	
18	\triangle X-4560-159-1	FBT ASSY NX-3005//JIC4	
19	* A-1135-950-A	B COMPLETE PC BOARD	
20	1-766-374-11	PLUG, F-PIN	
21	\triangle 8-598-431-00	TUNER FSS BTF-WA411	
22	* A-1298-899-A	A COMPLETE PC BOARD	
23	* A-1372-523-A	HV (VAR) MOUNTED PC	
24	* A-1372-507-A	HS (COM) MOUNTED PC	
25	3-704-372-31	HOLDER, HV CABLE	

Note:

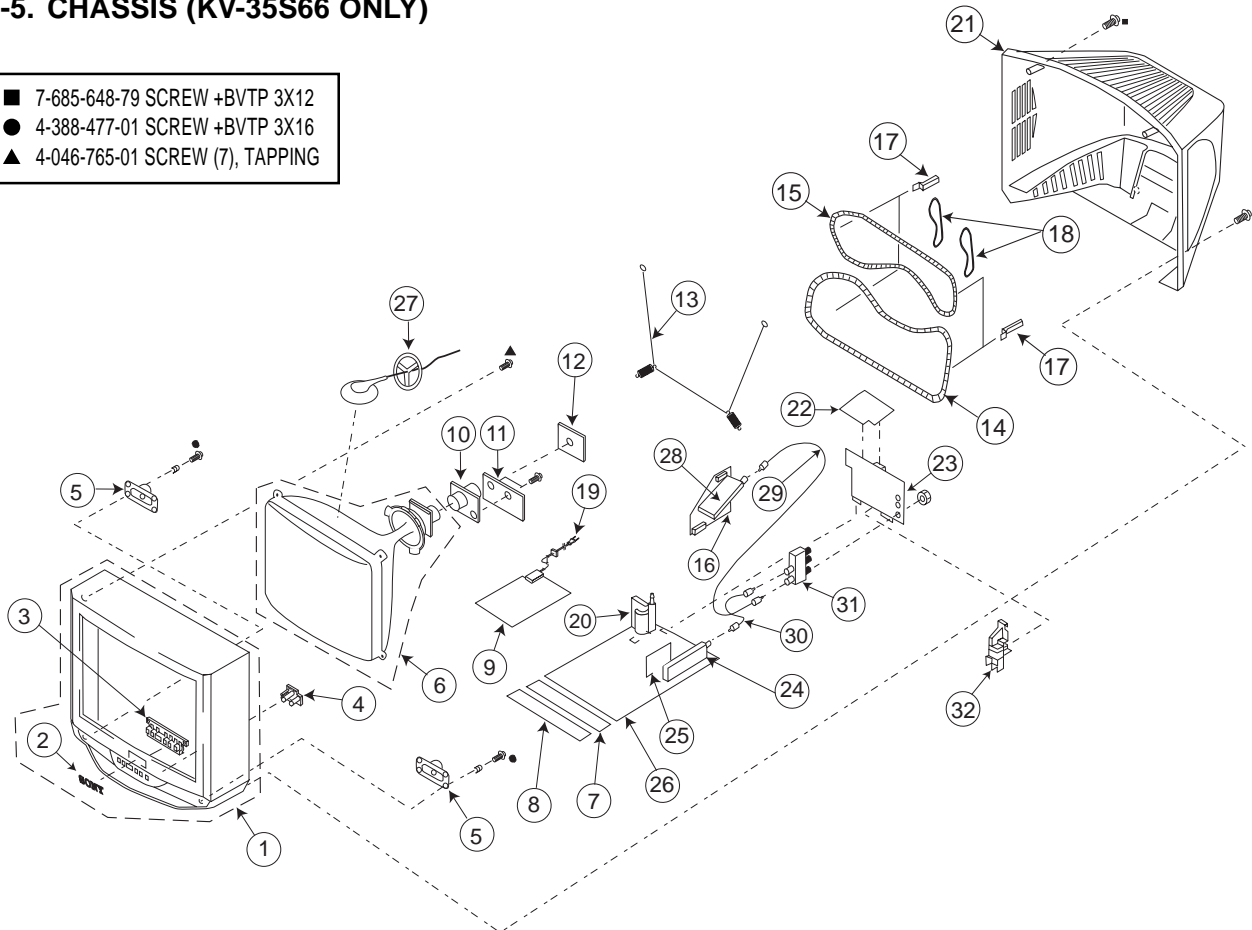
The components identified by shading and mark \triangle are critical for safety. Replace only with part number specified.

Note:

Les composants identifiés par un trame et une marque \triangle sont critiques pour la sécurité. Ne les remplacer que par une pièce portant le numéro spécifique.

7-5. CHASSIS (KV-35S66 ONLY)

- 7-685-648-79 SCREW +BVTP 3X12
- 4-388-477-01 SCREW +BVTP 3X16
- ▲ 4-046-765-01 SCREW (7), TAPPING



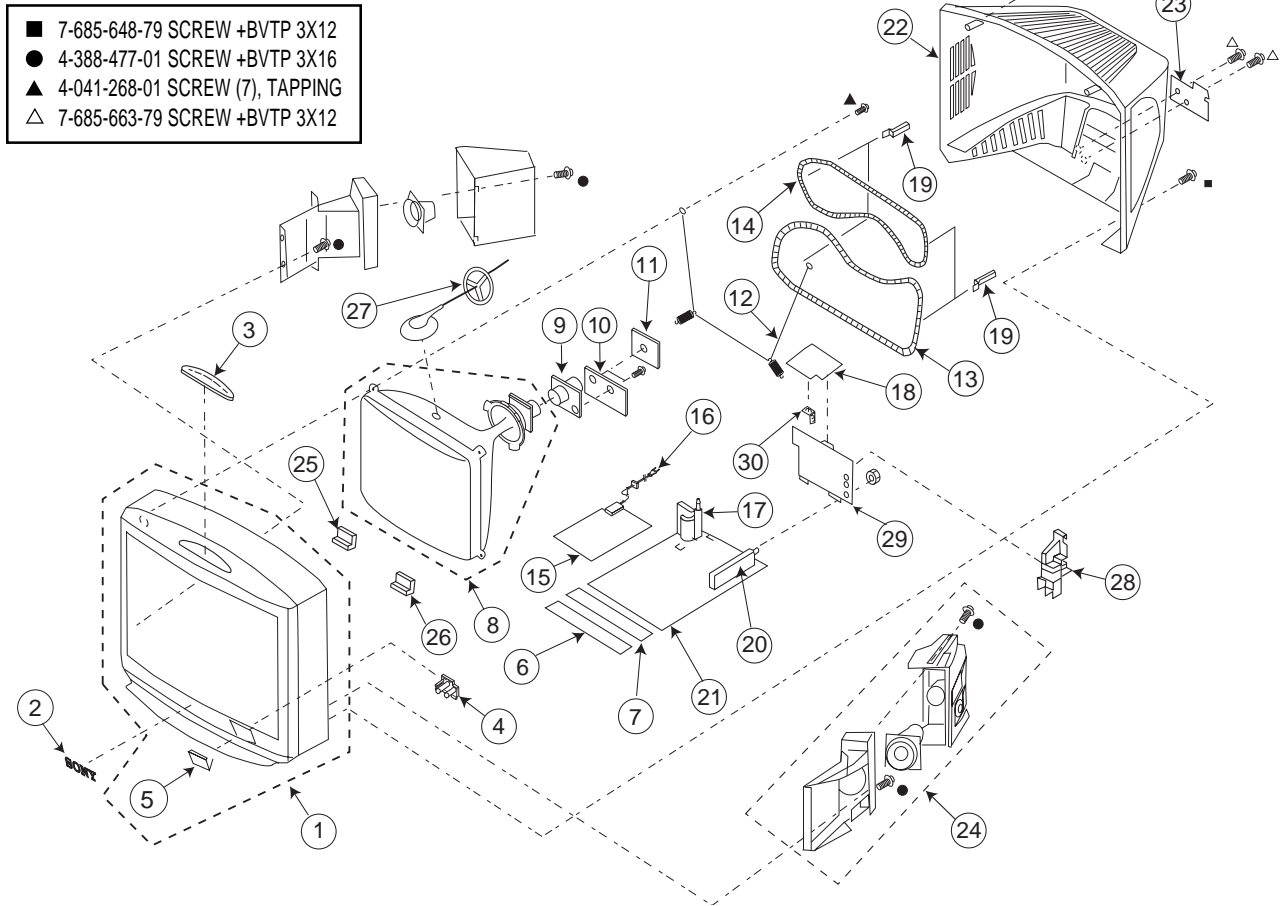
REF.NO.	PART.NO.	DESCRIPTION	REMARK	REF.NO.	PART.NO.	DESCRIPTION	REMARK
1	X-4035-598-1	BEZNET ASSY	2	19	\triangle 1-790-315-11	CORD, AC POWER (WITH CONNECTOR)	
2	4-046-160-01	EMBLEM (NO.9), SONY		20	\triangle X-4560-159-1	FBT ASSY NX-3005/JIC4	
3	4-058-053-11	BUTTON, MULTI		21	4-058-052-32	COVER, REAR	
4	4-058-054-01	BAR, OPTICAL		22	*	A-1135-949-A	B COMPLETE PC BOARD
5	1-504-531-11	SPEAKER (13.1X6.2CM)		23	*	A-1394-910-A	UV COMPLETE PC BOARD
6	\triangle 8-733-761-61	ITC 37GXT-A1/A1597168A		24	\triangle 8-598-431-00	TUNER, FSS BTF-WA411	
7	*	A-1372-507-A	HS COMPLETE PC BOARD	25	*	A-1195-154-A	P COMPLETE PC BOARD
8	*	A-1372-523-A	HV (VAR) MOUNTED PC	26	*	A-1298-897-A	A COMPLETE PC BOARD
9	*	A-1316-399-A	G COMPLETE PC BOARD	27		3-704-372-31	HOLDER, HV CABLE
10	\triangle 8-453-007-51	NA324-M5		28	\triangle 8-598-430-00	TUNER, FSS BTF-FA401	
11	*	A-1372-462-A	WA MOUNTED PWB	29	*	1-556-945-21	CABLE, P-P
12	*	A-1331-843-A	C (VAR) MOUNTED PC	30	*	1-557-056-31	CABLE, P-P
13		4-036-329-01	SPRING (B), TENSION	31		8-598-414-10	CHANGER, ANTENNA AS-2F
14	\triangle 1-411-881-21	COIL, DEGAUSSING		32	*	4-052-905-01	V5/6 BRACKET
15	\triangle 1-411-882-21	COIL, DEGAUSSING					
16	*	A-1298-612-A	AV COMPLETE PC BOARD				
17	*	4-052-900-02	HOLDER, DGC				
18		4-059-585-01	TIE, CABLE				
19	\triangle 1-751-059-11	CORD, POWER (WITH CONNECTOR) (KV-35S66CND ONLY)					

Note:

The components identified by shading and mark \blacktriangle are critical for safety. Replace only with part number specified.

Note:

Les composants identifiés par un trame et une marque \blacktriangle sont critiques pour la sécurité. Ne les remplacer que par une pièce portant le numéro spécifié.

7-6. CHASSIS (KV-35V42 ONLY)

REF.NO.	PART.NO.	DESCRIPTION	REMARK	REF.NO.	PART.NO.	DESCRIPTION	REMARK
1	X-4036-563-1	BEZNET ASSY	5	21	* A-1298-898-A	A COMPLETE PC BOARD	
2	4-046-160-01	EMBLEM (NO.9), SONY		22	4-052-903-12	COVER, REAR	
3	1-473-549-21	SWITCH BLOCK, CONTROL		23	4-070-877-11	LABEL, TUNER TERMINAL	
4	* 4-052-897-01	GUIDE, LED		24	1-505-684-11	SPEAKER UNIT, BOX TYPE (2WAY)	
5	4-052-906-11	DOOR, CONTROL		25	4-052-902-01	CRT SUPPORT (L)	
6	* A-1372-510-A	HS (VAR) MOUNTED PC BOARD		26	4-052-901-01	CRT SUPPORT (R)	
7	* A-1372-684-A	HV (VAR) MOUNTED PC BOARD		27	3-704-372-31	HOLDER, HV CABLE	
8	\blacktriangle 8-733-761-61	ITC 37GXT-A1/A1597168A		28	* 4-052-905-01	V5/6 BRACKET	
9	\blacktriangle 8-453-007-51	NA324-M5		29	A-1394-905-A	UV COMPLETE PC BOARD	
10	* A-1372-462-A	WA MOUNTED PWB		30	* 3-696-606-02	HINGE, VI	
11	* A-1331-843-A	C (VAR) MOUNTED PC BOARD					
12	4-036-329-01	SPRING (B), TENSION					
13	\blacktriangle 1-411-881-21	COIL, DEGAUSSING					
14	\blacktriangle 1-411-882-21	COIL, DEGAUSSING					
15	A-1316-399-A	G COMPLETE PC BOARD					
16	\blacktriangle 1-790-315-11	CORD, AC POWER(WITH CONNECTOR)					
17	\blacktriangle X-4560-159-1	FBT ASSY NX-3005//JIC4					
18	* A-1135-948-A	B COMPLETE PC BOARD					
19	* 4-052-900-02	HOLDER, DGC					
20	\blacktriangle 8-598-431-00	TUNER, FSS BTF-WA411					

SECTION 8 ELECTRICAL PARTS LIST

PARTS LISTING TABLE OF CONTENTS

	Page
A BOARD COMMON PARTS LIST: Parts common to <u>all</u> models listed in this manual	71
A BOARD VARIANT PARTS LIST: Parts that belong <u>only</u> to the model specified	79
Refer to the designated variant parts list when seeking a part indicated by an asterisk (*) on the A Board schematic or by the word "variant" on the common parts list.	
Model	Page
KV-32S42	79
KV-32S66	81
KV-32V42	82
KV-35S42	83
KV-35S66	85
KV-35V42	86
AV BOARD <u>COMPLETE</u> PARTS LIST (KV-32S66/35S66 only)	87
B BOARD <u>COMPLETE</u> PARTS LIST (All Models)	87
C BOARD <u>COMPLETE</u> PARTS LIST (All Models)	89
G BOARD <u>COMPLETE</u> PARTS LIST (All Models)	89
HS BOARD <u>COMPLETE</u> PARTS LIST (KV-32S66/32V42/35S42/35S66/35V42 only)	91
HV BOARD <u>COMPLETE</u> PARTS LIST (KV-32V42/35S42/35S66/35V42 only)	92
P BOARD <u>COMPLETE</u> PARTS LIST (KV-32S66/35S66 only)	92
UV BOARD <u>COMPLETE</u> PARTS LIST (KV-32S66/32V42/35S66/35V42 only)	93
WA BOARD <u>COMPLETE</u> PARTS LIST (KV-35S42/35S66/35V42 only)	96
WB BOARD <u>COMPLETE</u> PARTS LIST (KV-32S42/32S66/32V42 only)	97
ACCESSORIES AND PACKAGING (All Models)	98

Common Parts Listing

A

Note:

The components identified by shading and mark \triangle are critical for safety. Replace only with part number specified.

Note:

Les composants identifiés par un trame et une marque \triangle sont critiques pour la sécurité. Ne les remplacer que par une pièce portant le numéro spécifié.

- The components identified by \boxtimes in this manual have been carefully factory-selected for each set in order to satisfy regulations regarding X-ray radiation. Should replacement be required, replace only with the value originally used.

- Items marked * are not stocked since they are seldom required for routine service. Some delay should be anticipated when ordering these items.

- All variable and adjustable resistors have characteristic curve B, unless otherwise noted.

RESISTORS

- All resistors are in ohms
- F : nonflammable

When indicating parts by reference number, please include the board name.

REF. NO.	PART NO.	DESCRIPTION	REMARK	REF. NO.	PART NO.	DESCRIPTION	REMARK
<div style="border: 1px solid black; padding: 5px; display: inline-block; font-size: 2em; font-weight: bold; margin-right: 10px;">A</div>				C071	1-164-096-11	CERAMIC 0.01 μ F	50V
				C072	1-164-161-11	CERAMIC 0.0022 μ F	10% 50V
				C075	1-107-823-11	CERAMIC 0.47 μ F	10% 16V
				C076		VARIANT (SEE VARIANT PARTS LIST)	
				C077		VARIANT (SEE VARIANT PARTS LIST)	
				C090		VARIANT (SEE VARIANT PARTS LIST)	
				C353	1-163-231-11	CERAMIC 15pF	5% 50V
C354	1-163-133-00	CERAMIC 470pF	5% 50V				
C355	1-126-959-11	ELECT 0.47 μ F	20% 50V				
C356	1-126-963-11	ELECT 4.7 μ F	20% 50V				
C357	1-126-959-11	ELECT 0.47 μ F	20% 50V				
C358	1-163-021-91	CERAMIC 0.01 μ F	10% 50V				
C359	1-126-933-11	ELECT 100 μ F	20% 16V				
C360		VARIANT (SEE VARIANT PARTS LIST)					
C361		VARIANT (SEE VARIANT PARTS LIST)					
C362		VARIANT (SEE VARIANT PARTS LIST)					
C363	1-163-021-91	CERAMIC 0.01 μ F	10% 50V				
C364	1-163-021-91	CERAMIC 0.01 μ F	10% 50V				
C365	1-163-021-91	CERAMIC 0.01 μ F	10% 50V				
C366	1-130-495-00	FILM 0.1 μ F	5% 50V				
C367	1-130-495-00	FILM 0.1 μ F	5% 50V				
C368	1-130-495-00	FILM 0.1 μ F	5% 50V				
C369	1-163-243-11	CERAMIC 47pF	5% 50V				
C370		VARIANT (SEE VARIANT PARTS LIST)					
C371	1-163-141-00	CERAMIC 0.001 μ F	5% 50V				
C372	1-126-959-11	ELECT 0.47 μ F	20% 50V				
C373	1-126-960-11	ELECT 1 μ F	20% 50V				
C375		VARIANT (SEE VARIANT PARTS LIST)					
C376	1-126-964-11	ELECT 10 μ F	20% 50V				
C377	1-130-495-00	FILM 0.1 μ F	5% 50V				
C378	1-130-495-00	FILM 0.1 μ F	5% 50V				
C379	1-163-021-91	CERAMIC 0.01 μ F	10% 50V				
C380	1-126-935-11	ELECT 470 μ F	20% 16V				
C381	1-163-003-11	CERAMIC 330pF	10% 50V				
C383	1-130-495-00	FILM 0.1 μ F	5% 50V				
C385	1-164-182-11	CERAMIC 0.0033 μ F	10% 50V				
C386	1-163-021-91	CERAMIC 0.01 μ F	10% 50V				
C387	1-126-961-11	ELECT 2.2 μ F	20% 50V				
C388	1-126-959-11	ELECT 0.47 μ F	20% 50V				
* A-1299-001-A		A COMPLETE PC BOARD (KV-32S42)					
* A-1298-997-A		A COMPLETE PC BOARD (KV-32S66)					
* A-1298-999-A		A COMPLETE PC BOARD (KV-32V42)					
* A-1298-899-A		A COMPLETE PC BOARD (KV-35S42)					
* A-1298-897-A		A COMPLETE PC BOARD (KV-35S66)					
* A-1298-898-A		A COMPLETE PC BOARD (KV-35V42)					
4-382-854-11		SCREW (M3X10), P, SW (+)					
4-382-854-11		SCREW (M3X10), P, SW (+)					
CAPACITOR							
C001	1-163-259-91	CERAMIC 220pF	5% 50V				
C003	1-104-760-11	CERAMIC 0.047 μ F	10% 50V				
C005	1-126-960-11	ELECT 1 μ F	20% 50V				
C009	1-126-967-11	ELECT 47 μ F	20% 50V				
C010	1-163-033-91	CERAMIC 0.022 μ F	50V				
C012	1-216-033-00	RES,CHIP 220	5% 1/10W				
C013	1-216-121-91	RES,CHIP 1M	5% 1/10W				
C014	1-164-161-11	CERAMIC 0.0022 μ F	10% 50V				
C023	1-163-259-91	CERAMIC 220pF	5% 50V				
C028	1-163-227-11	CERAMIC 10pF	0.50% 50V				
C029	1-163-227-11	CERAMIC 10pF	0.50% 50V				
C030	1-163-009-11	CERAMIC 0.001 μ F	10% 50V				
C035	1-163-237-11	CERAMIC 27pF	5% 50V				
C036	1-163-231-11	CERAMIC 15pF	5% 50V				
C037	1-163-243-11	CERAMIC 47pF	5% 50V				
C038	1-163-243-11	CERAMIC 47pF	5% 50V				
C039	1-163-243-11	CERAMIC 47pF	5% 50V				
C040	1-163-243-11	CERAMIC 47pF	5% 50V				
C051	1-164-004-11	CERAMIC 0.1 μ F	10% 25V				
C053	1-163-021-91	CERAMIC 0.01 μ F	10% 50V				
C056	1-163-243-11	CERAMIC 47pF	5% 50V				
C061	1-163-033-91	CERAMIC 0.022 μ F	50V				
C062	1-163-033-91	CERAMIC 0.022 μ F	50V				
C063	1-126-935-11	ELECT 470 μ F	20% 16V				
C068		VARIANT (SEE VARIANT PARTS LIST)					
C069		VARIANT (SEE VARIANT PARTS LIST)					
C070	1-126-967-11	ELECT 47 μ F	20% 50V				

A**Common Parts Listing****Note:**

The components identified by shading and mark \triangle are critical for safety. Replace only with part number specified.

Note:

Les composants identifiés par un trame et une marque \triangle sont critiques pour la sécurité. Ne les remplacer que par une pièce portant le numéro spécifié.

REF.NO.	PART NO.	DESCRIPTION	REMARK	REF.NO.	PART NO.	DESCRIPTION	REMARK
C390	1-126-960-11	ELECT	1 μ F 20% 50V	C539		VARIANT (SEE VARIANT PARTS LIST)	
C391	1-163-017-00	CERAMIC	0.0047 μ F 10% 50V	C540	1-123-024-21	ELECT	33 μ F 160V
C392	1-163-251-11	CERAMIC	100pF 5% 50V	C541	1-128-560-11	ELECT	22 μ F 20% 100V
C461		VARIANT (SEE VARIANT PARTS LIST)		C542		VARIANT (SEE VARIANT PARTS LIST)	
C462	1-126-961-11	ELECT	2.2 μ F 20% 50V	C545	1-106-387-00	MYLAR	0.068 μ F 10% 200V
C463	1-126-961-11	ELECT	2.2 μ F 20% 50V	C546	1-106-343-00	MYLAR	0.001 μ F 10% 100V
C464	1-163-017-00	CERAMIC	0.0047 μ F 10% 50V	C547	1-106-343-00	MYLAR	0.001 μ F 10% 100V
C466	1-104-666-11	ELECT	220 μ F 20% 25V	C551	1-163-037-11	CERAMIC	0.022 μ F 10% 50V
C467	1-163-017-00	CERAMIC	0.0047 μ F 10% 50V	C561	1-126-967-11	ELECT	47 μ F 20% 50V
C468	1-104-664-11	ELECT	47 μ F 20% 25V	C563	1-126-934-11	ELECT	220 μ F 20% 10V
C470	1-126-961-11	ELECT	2.2 μ F 20% 50V	C564	1-126-960-11	ELECT	1 μ F 20% 50V
C471	1-104-666-11	ELECT	220 μ F 20% 25V	C565	1-126-969-11	ELECT	220 μ F 20% 50V
C472	1-137-194-81	FILM	0.47 μ F 5% 50V	C566	1-104-664-11	ELECT	47 μ F 20% 25V
C473	1-136-169-00	FILM	0.22 μ F 5% 50V	C568	1-136-169-00	FILM	0.22 μ F 5% 50V
C474	1-126-942-61	ELECT	1000 μ F 20% 25V	C571	1-104-664-11	ELECT	47 μ F 20% 25V
C475	1-136-169-00	FILM	0.22 μ F 5% 50V	C1002	1-126-964-11	ELECT	10 μ F 20% 50V
C476	1-126-942-61	ELECT	1000 μ F 20% 25V	C1101	1-126-768-11	ELECT	2200 μ F 20% 16V
C477	1-126-942-61	ELECT	1000 μ F 20% 25V	C1103	1-126-965-11	ELECT	22 μ F 20% 50V
C501	1-163-259-91	CERAMIC	220pF 5% 50V	C1104	1-104-664-11	ELECT	47 μ F 20% 16V
C502	1-126-959-11	ELECT	0.47 μ F 20% 50V	C1105	1-104-664-11	ELECT	47 μ F 20% 16V
C503	1-163-003-11	CERAMIC	330pF 10% 50V	C1106	1-126-964-11	ELECT	10 μ F 20% 50V
C504	1-102-212-00	CERAMIC	820pF 10% 500V	C1107	1-163-003-11	CERAMIC	330pF 10% 50V
C505	1-102-002-00	CERAMIC	680pF 10% 500V	C1108	1-126-960-11	ELECT	1 μ F 20% 50V
C506	1-106-383-00	MYLAR	0.047 μ F 10% 200V	C1109	1-126-964-11	ELECT	10 μ F 20% 50V
C507	\triangle 1-162-116-00	CERAMIC	680pF 10% 2KV	C1110	1-163-227-11	CERAMIC	10pF 0.50% 50V
C508	1-102-244-00	CERAMIC	220pF 10% 500V	C1111	1-163-227-11	CERAMIC	10pF 0.50% 50V
C509	1-162-116-00	CERAMIC	680pF 10% 2KV	C1112	1-163-227-11	CERAMIC	10pF 0.50% 50V
C510	1-137-150-11	MYLAR	0.01 μ F 10% 100V	C1236		VARIANT (SEE VARIANT PARTS LIST)	
C511	\triangle 1-115-460-11	FILM	0.022 μ F 3% 1.2KV	C1237		VARIANT (SEE VARIANT PARTS LIST)	
C513		VARIANT (SEE VARIANT PARTS LIST)		C1238		VARIANT (SEE VARIANT PARTS LIST)	
C514		VARIANT (SEE VARIANT PARTS LIST)		C1239		VARIANT (SEE VARIANT PARTS LIST)	
C515	1-106-343-00	MYLAR	0.001 μ F 10% 100V	C1240		VARIANT (SEE VARIANT PARTS LIST)	
C516	1-115-461-11	FILM	2 μ F 5% 200V	C1241		VARIANT (SEE VARIANT PARTS LIST)	
C517	1-107-649-11	ELECT	2.2 μ F 20% 250V	C1242		VARIANT (SEE VARIANT PARTS LIST)	
C518	1-106-395-00	MYLAR	0.15 μ F 10% 200V	C1243		VARIANT (SEE VARIANT PARTS LIST)	
C519	1-162-815-11	CERAMIC	47pF 5% 500V	C1244		VARIANT (SEE VARIANT PARTS LIST)	
C520		VARIANT (SEE VARIANT PARTS LIST)		C1245		VARIANT (SEE VARIANT PARTS LIST)	
C521		VARIANT (SEE VARIANT PARTS LIST)		C1261		VARIANT (SEE VARIANT PARTS LIST)	
C522	1-126-960-11	ELECT	1 μ F 20% 50V	C1262		VARIANT (SEE VARIANT PARTS LIST)	
C525	1-102-244-00	CERAMIC	220pF 10% 500V	C1263		VARIANT (SEE VARIANT PARTS LIST)	
C526	1-107-662-11	ELECT	22 μ F 20% 250V	C1264		VARIANT (SEE VARIANT PARTS LIST)	
C527	1-162-116-00	CERAMIC	680pF 10% 2KV	C1267		VARIANT (SEE VARIANT PARTS LIST)	
C528	1-164-161-11	CERAMIC	0.0022 μ F 10% 50V	C1268		VARIANT (SEE VARIANT PARTS LIST)	
C529	1-128-551-11	ELECT	22 μ F 20% 25V	C1269		VARIANT (SEE VARIANT PARTS LIST)	
C530	1-137-366-11	FILM	0.0022 μ F 5% 50V	C1293		VARIANT (SEE VARIANT PARTS LIST)	
C531	1-126-965-11	ELECT	22 μ F 20% 50V	C1351	1-163-251-11	CERAMIC	100pF 5% 50V
C532	1-126-965-11	ELECT	22 μ F 20% 50V	C1352	1-126-933-11	ELECT	100 μ F 20% 16V
C534	1-126-967-11	ELECT	47 μ F 20% 50V	C1353	1-163-037-11	CERAMIC	0.022 μ F 10% 50V
C537		VARIANT (SEE VARIANT PARTS LIST)		C1354	1-216-295-91	SHORT	

Note:

The components identified by shading and mark \triangle are critical for safety. Replace only with part number specified.

Note:

Les composants identifiés par un triangle et une marque \triangle sont critiques pour la sécurité. Ne les remplacer que par une pièce portant le numéro spécifié.

Common Parts Listing**A**

REFNO.	PARTNO.	DESCRIPTION	REMARK	REFNO.	PARTNO.	DESCRIPTION	REMARK
C1401		VARIANT (SEE VARIANT PARTS LIST)		D502	\triangle 8-719-945-80	DIODE	ERC06-15S
C1402		VARIANT (SEE VARIANT PARTS LIST)		D503	\triangle 8-719-945-80	DIODE	ERC06-15S
C1403		VARIANT (SEE VARIANT PARTS LIST)		D504	8-719-900-26	DIODE	ERD29-08J
C1404		VARIANT (SEE VARIANT PARTS LIST)		D505	8-719-908-03	DIODE	GP08D
C1405		VARIANT (SEE VARIANT PARTS LIST)		D506	8-719-908-03	DIODE	GP08D
C1406		VARIANT (SEE VARIANT PARTS LIST)		D507	8-719-991-33	DIODE	1SS133T-77
C1407		VARIANT (SEE VARIANT PARTS LIST)		D515	8-719-302-43	DIODE	EL1Z
C1408		VARIANT (SEE VARIANT PARTS LIST)		D516	8-719-991-33	DIODE	1SS133T-77
C1409		VARIANT (SEE VARIANT PARTS LIST)		D518	8-719-991-33	DIODE	1SS133T-77
C1410		VARIANT (SEE VARIANT PARTS LIST)		D519	\triangle 8-719-302-43	DIODE	EL1Z
C1411		VARIANT (SEE VARIANT PARTS LIST)		D520	8-719-991-33	DIODE	1SS133T-77
C1413		VARIANT (SEE VARIANT PARTS LIST)		D521	8-719-921-63	DIODE	MTZJ-7.5B
C1415		VARIANT (SEE VARIANT PARTS LIST)		D530	\triangle 8-719-979-85	DIODE	EGP20G
C1416		VARIANT (SEE VARIANT PARTS LIST)		D531	8-719-979-85	DIODE	EGP20G
C1417		VARIANT (SEE VARIANT PARTS LIST)		D534	8-719-302-43	DIODE	EL1Z
C1420		VARIANT (SEE VARIANT PARTS LIST)		D536	8-719-908-03	DIODE	GP08D
C1501		VARIANT (SEE VARIANT PARTS LIST)		D561	8-719-908-03	DIODE	GP08D
	CONNECTOR			D562	8-719-991-33	DIODE	1SS133T-77
CN106	1-508-784-00	PIN,CONNECTOR(5MM PITCH) 1P		D1102	8-719-982-24	DIODE	MTZJ-33A
CN270	1-573-298-11	CONNECTOR,BOARD TO BOARD 20P		D1103	\triangle 8-719-109-89	DIODE	RD5.6ESB2
CN271		VARIANT (SEE VARIANT PARTS LIST)		D1247		VARIANT (SEE VARIANT PARTS LIST)	
CN351	1-564-509-11	PLUG, CONNECTOR 6P		D1248		VARIANT (SEE VARIANT PARTS LIST)	
CN461	1-564-507-11	PLUG,CONNECTOR 4P		D1261		VARIANT (SEE VARIANT PARTS LIST)	
CN501	1-580-798-11	CONNECTOR PIN (DY) 6P		D1262		VARIANT (SEE VARIANT PARTS LIST)	
CN503	1-564-508-11	PLUG,CONNECTOR 5P		D1263	8-719-110-17	DIODE	RD10ESB2
CN1001 *	1-564-512-11	PLUG,CONNECTOR 9P		D1264	8-719-110-17	DIODE	RD10ESB2
CN1101		VARIANT (SEE VARIANT PARTS LIST)			FERRITE BEAD		
CN1231		VARIANT (SEE VARIANT PARTS LIST)		FB501	1-410-396-41	FERRITE	0.45 μ H
CN1641 *	1-564-515-11	PLUG,CONNECTOR 12P		FB502	1-410-397-21	FERRITE	1.1 μ H
CN1941		VARIANT (SEE VARIANT PARTS LIST)		FB503	1-410-397-21	FERRITE	1.1 μ H
CN3003		VARIANT (SEE VARIANT PARTS LIST)			IC		
	DIODE			IC001	8-752-906-40	IC CXP85848A-028S	
D001	8-719-991-33	DIODE	1SS133T-77	IC002	8-759-518-23	IC ST24C04FM6TR	
D002	8-719-109-89	DIODE	RD5.6ESB2	IC003		VARIANT (SEE VARIANT PARTS LIST)	
D003	8-719-991-33	DIODE	1SS133T-77	IC351	\triangle 8-752-082-73	IC CXA2095S	
D004	8-719-110-17	DIODE	RD10ESB2	IC461	\triangle 8-759-980-43	IC TDA2009A	
D005		VARIANT (SEE VARIANT PARTS LIST)		IC501	8-759-700-07	IC NJM2903M-TE2	
D006		VARIANT (SEE VARIANT PARTS LIST)		IC561	\triangle 8-759-980-58	IC TDA8172	
D011	8-719-983-20	DIODE	MTZJ-T-77-4.3C	IC1261		VARIANT (SEE VARIANT PARTS LIST)	
D013	8-719-991-33	DIODE	1SS133T-77	IC1401		VARIANT (SEE VARIANT PARTS LIST)	
D014	8-719-991-33	DIODE	1SS133T-77	IC1402		VARIANT (SEE VARIANT PARTS LIST)	
D015	8-719-991-33	DIODE	1SS133T-77		JACK		
D353	8-719-991-33	DIODE	1SS133T-77	J1232		VARIANT (SEE VARIANT PARTS LIST)	
D356	8-719-991-33	DIODE	1SS133T-77	J1233		VARIANT (SEE VARIANT PARTS LIST)	
D360	8-719-110-17	DIODE	RD10ESB2	J1234		VARIANT (SEE VARIANT PARTS LIST)	
D362	8-719-991-33	DIODE	1SS133T-77		CHIP CONDUCTOR		
D368		VARIANT (SEE VARIANT PARTS LIST)		JR001		VARIANT (SEE VARIANT PARTS LIST)	
D462	8-719-991-33	DIODE	1SS133T-77	JR200		VARIANT (SEE VARIANT PARTS LIST)	
D501	8-719-109-89	DIODE	RD5.6ESB2	JR351		VARIANT (SEE VARIANT PARTS LIST)	



Common Parts Listing

Note:

The components identified by shading and mark \triangle are critical for safety. Replace only with part number specified.

Note:

Les composants identifiés par un trame et une marque \triangle sont critiques pour la sécurité. Ne les remplacer que par une pièce portant le numéro spécifié.

REF.NO.	PART NO.	DESCRIPTION	REMARK	REF.NO.	PART NO.	DESCRIPTION	REMARK
JR352		VARIANT (SEE VARIANT PARTS LIST)		Q356	8-729-216-22	TRANSISTOR 2SA1162-G	
JR501	1-216-295-91	SHORT		Q357	8-729-422-27	TRANSISTOR 2SD601A-Q	
JR1264		VARIANT (SEE VARIANT PARTS LIST)		Q358	8-729-422-27	TRANSISTOR 2SD601A-Q	
JR1417		VARIANT (SEE VARIANT PARTS LIST)		Q461	8-729-422-27	TRANSISTOR 2SD601A-Q	
JR1450		VARIANT (SEE VARIANT PARTS LIST)		Q462	8-729-216-22	TRANSISTOR 2SA1162-G	
JR1451		VARIANT (SEE VARIANT PARTS LIST)		Q501	8-729-140-50	TRANSISTOR 2SC3209LK	
JR1454	1-216-295-91	SHORT		Q502 \triangle	8-729-035-75	TRANSISTOR 2SC5148(LBSONY)	
JR1456	1-216-295-91	SHORT		Q511	8-729-422-27	TRANSISTOR 2SD601A-Q	
JR1801	1-216-295-91	SHORT		Q512 \triangle	8-729-809-29	TRANSISTOR 2SC4159-E	
JR1802	1-216-295-91	SHORT		Q551	8-729-216-22	TRANSISTOR 2SA1162-G	
JR1803	1-216-295-91	SHORT		Q552	8-729-422-27	TRANSISTOR 2SD601A-Q	
JR1804	1-216-295-91	SHORT		Q561	8-729-422-27	TRANSISTOR 2SD601A-Q	
JR4120	1-216-295-91	SHORT		Q562	8-729-422-27	TRANSISTOR 2SD601A-Q	
		COIL		Q563	8-729-105-08	TRANSISTOR 2SA1330-06	
L001	1-408-421-00	INDUCTOR 100 μ H		Q1102	8-729-119-78	TRANSISTOR 2SC2785-HFE	
L002	1-408-421-00	INDUCTOR 100 μ H		Q1103	8-729-422-27	TRANSISTOR 2SD601A-Q	
L003	1-410-470-11	INDUCTOR 10 μ H		Q1231		VARIANT (SEE VARIANT PARTS LIST)	
L004	1-410-470-11	INDUCTOR 10 μ H		Q1232		VARIANT (SEE VARIANT PARTS LIST)	
L352	1-412-537-31	INDUCTOR 100 μ H		Q1261		VARIANT (SEE VARIANT PARTS LIST)	
L461		VARIANT (SEE VARIANT PARTS LIST)		Q1262		VARIANT (SEE VARIANT PARTS LIST)	
L501 \triangle	1-411-976-11	COIL,HORIZONTAL LINEARITY		Q1263		VARIANT (SEE VARIANT PARTS LIST)	
L502	1-412-552-11	INDUCTOR 2.2 μ H				RESISTOR	
L503	1-406-677-11	INDUCTOR 10 μ H		R001	1-216-045-00	RES,CHIP 680 5% 1/10W	
L511 \triangle	1-406-607-41	INDUCTOR 15 μ H		R002	1-247-815-91	CARBON 220 5% 1/4W	
L517	1-412-552-11	INDUCTOR 2.2 μ H		R003	1-216-097-91	RES,CHIP 100K 5% 1/10W	
L541		VARIANT (SEE VARIANT PARTS LIST)		R004	1-216-121-91	RES,CHIP 1M 5% 1/10W	
L1101	1-408-421-00	INDUCTOR 100 μ H		R006		VARIANT (SEE VARIANT PARTS LIST)	
L1102	1-410-470-11	INDUCTOR 10 μ H		R007	1-216-073-00	RES,CHIP 10K 5% 1/10W	
L1401		VARIANT (SEE VARIANT PARTS LIST)		R008		VARIANT (SEE VARIANT PARTS LIST)	
		IC LINK		R009	1-216-073-00	RES,CHIP 10K 5% 1/10W	
PS461 \triangle	1-532-984-11	LINK, IC 2A/90V		R010	1-216-037-00	RES,CHIP 330 5% 1/10W	
		TRANSISTOR		R011	1-216-065-91	RES,CHIP 4.7K 5% 1/10W	
Q001	8-729-216-22	TRANSISTOR 2SA1162-G		R012		VARIANT (SEE VARIANT PARTS LIST)	
Q002	8-729-422-27	TRANSISTOR 2SD601A-Q		R013	1-216-065-91	RES,CHIP 4.7K 5% 1/10W	
Q003	8-729-422-27	TRANSISTOR 2SD601A-Q		R014	1-216-065-91	RES,CHIP 4.7K 5% 1/10W	
Q004	8-729-216-22	TRANSISTOR 2SA1162-G		R015	1-216-073-00	RES,CHIP 10K 5% 1/10W	
Q010	8-729-422-27	TRANSISTOR 2SD601A-Q		R016	1-216-073-00	RES,CHIP 10K 5% 1/10W	
Q011	8-729-422-27	TRANSISTOR 2SD601A-Q		R019	1-249-425-11	CARBON 4.7K 5% 1/4W	
Q012	8-729-422-27	TRANSISTOR 2SD601A-Q		R020	1-216-065-91	RES,CHIP 4.7K 5% 1/10W	
Q013	8-729-422-27	TRANSISTOR 2SD601A-Q		R021	1-216-033-00	RES,CHIP 220 5% 1/10W	
Q014	8-729-422-27	TRANSISTOR 2SD601A-Q		R022	1-249-429-11	CARBON 10K 5% 1/4W	
Q015	8-729-422-27	TRANSISTOR 2SD601A-Q		R023	1-216-089-91	RES,CHIP 47K 5% 1/10W	
Q016	8-729-422-27	TRANSISTOR 2SD601A-Q		R024 \triangle	1-249-381-11	CARBON 1 5% 1/4W F	
Q017	8-729-216-22	TRANSISTOR 2SA1162-G		R025	1-163-010-11	CERAMIC 0.0012 10% 50V	
Q018		VARIANT (SEE VARIANT PARTS LIST)		R026	1-163-038-91	CERAMIC 0.1 25V	
Q301 \triangle	8-729-216-22	TRANSISTOR 2SA1162-G		R027 \triangle	1-249-389-11	CARBON 4.7 5% 1/4W F	
Q302 \triangle	8-729-216-22	TRANSISTOR 2SA1162-G		R028	1-249-417-11	CARBON 1K 5% 1/4W	
Q303 \triangle	8-729-216-22	TRANSISTOR 2SA1162-G		R029	1-216-025-91	RES,CHIP 100 5% 1/10W	
Q354	8-729-422-27	TRANSISTOR 2SD601A-Q		R030	1-249-425-11	CARBON 4.7K 5% 1/4W	

Note:

The components identified by shading and mark \triangle are critical for safety. Replace only with part number specified.

Note:

Les composants identifiés par un triangle et une marque \triangle sont critiques pour la sécurité. Ne les remplacer que par une pièce portant le numéro spécifié.

Common Parts Listing

A

REF.NO.	PARTNO.	DESCRIPTION	REMARK	REF.NO.	PARTNO.	DESCRIPTION	REMARK
R031		VARIANT (SEE VARIANT PARTS LIST)		R087	1-247-815-91	CARBON 220	5% 1/4W
R032	1-247-815-91	CARBON 220	5% 1/4W	R089		VARIANT (SEE VARIANT PARTS LIST)	
R036	1-216-049-91	RES,CHIP 1K	5% 1/10W	R090		VARIANT (SEE VARIANT PARTS LIST)	
R037	1-216-049-91	RES,CHIP 1K	5% 1/10W	R092	1-249-429-11	CARBON 10K	5% 1/4W
R038	1-216-049-91	RES,CHIP 1K	5% 1/10W	R093	\triangle 1-249-387-11	CARBON 3.3	5% 1/4W F
R039	1-247-807-31	CARBON 100	5% 1/4W	R094	\triangle 1-249-381-11	CARBON 1	5% 1/4W F
R040		VARIANT (SEE VARIANT PARTS LIST)		R096	1-216-351-00	METAL 1.5	5% 1W F
R041		VARIANT (SEE VARIANT PARTS LIST)		R097	1-216-065-91	RES,CHIP 4.7K	5% 1/10W
R042		VARIANT (SEE VARIANT PARTS LIST)		R098		VARIANT (SEE VARIANT PARTS LIST)	
R044		VARIANT (SEE VARIANT PARTS LIST)		R099	1-216-065-91	RES,CHIP 4.7K	5% 1/10W
R045		VARIANT (SEE VARIANT PARTS LIST)		R101	\triangle 1-249-381-11	CARBON 1	5% 1/4W F
R046	1-247-815-91	CARBON 220	5% 1/4W	R102		VARIANT (SEE VARIANT PARTS LIST)	
R047	1-249-417-11	CARBON 1K	5% 1/4W	R104		VARIANT (SEE VARIANT PARTS LIST)	
R048	1-249-417-11	CARBON 1K	5% 1/4W	R131	1-216-035-00	RES,CHIP 270	5% 1/10W
R049	1-249-417-11	CARBON 1K	5% 1/4W	R132	1-216-115-00	RES,CHIP 560K	5% 1/10W
R052	1-216-061-00	RES,CHIP 3.3K	5% 1/10W	R133	1-216-039-00	RES,CHIP 390	5% 1/10W
R053	1-216-061-00	RES,CHIP 3.3K	5% 1/10W	R135	1-216-073-00	RES,CHIP 10K	5% 1/10W
R054	1-216-061-00	RES,CHIP 3.3K	5% 1/10W	R136	1-216-073-00	RES,CHIP 10K	5% 1/10W
R055	1-216-097-91	RES,CHIP 100K	5% 1/10W	R137	1-216-049-91	RES,CHIP 1K	5% 1/10W
R056	1-216-033-00	RES,CHIP 220	5% 1/10W	R353	1-208-788-11	RES,CHIP 1.8K	0.50% 1/10W
R057	1-249-417-11	CARBON 1K	5% 1/4W	R354	1-216-077-91	RES,CHIP 15K	5% 1/10W
R058	1-216-033-00	RES,CHIP 220	5% 1/10W	R355	1-216-033-00	RES,CHIP 220	5% 1/10W
R059		VARIANT (SEE VARIANT PARTS LIST)		R356	1-216-033-00	RES,CHIP 220	5% 1/10W
R060		VARIANT (SEE VARIANT PARTS LIST)		R358		VARIANT (SEE VARIANT PARTS LIST)	
R061		VARIANT (SEE VARIANT PARTS LIST)		R359		VARIANT (SEE VARIANT PARTS LIST)	
R062		VARIANT (SEE VARIANT PARTS LIST)		R360		VARIANT (SEE VARIANT PARTS LIST)	
R063		VARIANT (SEE VARIANT PARTS LIST)		R361	1-216-025-91	RES,CHIP 100	5% 1/10W
R064	1-216-033-00	RES,CHIP 220	5% 1/10W	R362	1-216-025-91	RES,CHIP 100	5% 1/10W
R065	1-216-033-00	RES,CHIP 220	5% 1/10W	R363	\triangle 1-216-025-91	RES,CHIP 100	5% 1/10W
R066	1-216-033-00	RES,CHIP 220	5% 1/10W	R364	1-216-101-00	RES,CHIP 150K	5% 1/10W
R067	1-216-041-00	RES,CHIP 470	5% 1/10W	R365		VARIANT (SEE VARIANT PARTS LIST)	
R068	1-247-815-91	CARBON 220	5% 1/4W	R366	1-216-089-91	RES,CHIP 47K	5% 1/10W
R069		VARIANT (SEE VARIANT PARTS LIST)		R367	1-216-097-91	RES,CHIP 100K	5% 1/10W
R070	1-249-421-11	CARBON 2.2K	5% 1/4W	R368	1-249-441-11	CARBON 100K	5% 1/4W
R071	1-247-815-91	CARBON 220	5% 1/4W	R369	1-216-097-91	RES,CHIP 100K	5% 1/10W
R072	1-216-033-00	RES,CHIP 220	5% 1/10W	R370	1-249-417-11	CARBON 1K	5% 1/4W
R073	1-216-033-00	RES,CHIP 220	5% 1/10W	R371	1-216-053-00	RES,CHIP 1.5K	5% 1/10W
R074		VARIANT (SEE VARIANT PARTS LIST)		R372	1-216-113-00	RES,CHIP 470K	5% 1/10W
R075		VARIANT (SEE VARIANT PARTS LIST)		R373	1-216-073-00	RES,CHIP 10K	5% 1/10W
R076	1-216-033-00	RES,CHIP 220	5% 1/10W	R374		VARIANT (SEE VARIANT PARTS LIST)	
R077	1-216-033-00	RES,CHIP 220	5% 1/10W	R375	1-216-025-91	RES,CHIP 100	5% 1/10W
R078	1-249-417-11	CARBON 1K	5% 1/4W	R376	1-216-073-00	RES,CHIP 10K	5% 1/10W
R079	1-216-033-00	RES,CHIP 220	5% 1/10W	R379	1-216-033-00	RES,CHIP 220	5% 1/10W
R080	1-216-065-91	RES,CHIP 4.7K	5% 1/10W	R380	1-247-815-91	CARBON 220	5% 1/4W
R081	1-216-025-91	RES,CHIP 100	5% 1/10W	R381	1-247-815-91	CARBON 220	5% 1/4W
R082	1-216-025-91	RES,CHIP 100	5% 1/10W	R382	1-216-033-00	RES,CHIP 220	5% 1/10W
R083	1-249-429-11	CARBON 10K	5% 1/4W	R383	1-216-049-91	RES,CHIP 1K	5% 1/10W
R084	1-216-049-91	RES,CHIP 1K	5% 1/10W	R384	1-216-109-00	RES,CHIP 330K	5% 1/10W
R085		VARIANT (SEE VARIANT PARTS LIST)		R385	1-249-422-11	CARBON 2.7K	5% 1/4W

A**Note:**

The components identified by shading and mark **△** are critical for safety. Replace only with part number specified.

Note:

The components identified by **☒** in this manual have been carefully factory-selected for each set in order to satisfy regulations regarding x-ray radiation. Should replacement be required, replace only with the value originally used.

REF.NO.	PARTNO.	DESCRIPTION	REMARK	REF.NO.	PARTNO.	DESCRIPTION	REMARK	
R386		VARIANT (SEE VARIANT PARTS LIST)		R518	1-216-073-00	RES,CHIP 10K	5% 1/10W	
R387	1-216-049-91	RES,CHIP 1K	5% 1/10W	R519	1-249-411-11	CARBON 330	5% 1/4W	
R388	1-216-089-91	RES,CHIP 47K	5% 1/10W	R521	1-215-915-11	METAL 470	5% 3W F	
R389	1-216-067-00	RES,CHIP 5.6K	5% 1/10W	R523		VARIANT (SEE VARIANT PARTS LIST)		
R390	1-216-035-00	RES,CHIP 270	5% 1/10W	R524	1-249-429-11	CARBON 10K	5% 1/4W	
R391	1-208-810-11	RES,CHIP 15K	0.50% 1/10W	R525	1-216-071-00	RES,CHIP 8.2K	5% 1/10W	
R392	1-216-025-91	RES,CHIP 100	5% 1/10W	R528	1-216-081-00	RES,CHIP 22K	5% 1/10W	
R393	1-216-043-91	RES,CHIP 560	5% 1/10W	R529		VARIANT (SEE VARIANT PARTS LIST)		
R394	1-216-059-00	RES,CHIP 2.7K	5% 1/10W	☒ R530	△ 1-208-808-11	RES,CHIP 12K	0.50% 1/10W	
R395	1-216-061-00	RES,CHIP 3.3K	5% 1/10W	☒ R531		VARIANT (SEE VARIANT PARTS LIST)		
R396	1-249-417-11	CARBON 1K	5% 1/4W	R532	1-208-760-11	RES,CHIP 120	0.50% 1/10W	
R397	1-249-425-11	CARBON 4.7K	5% 1/4W	R533		VARIANT (SEE VARIANT PARTS LIST)		
R461	1-216-065-91	RES,CHIP 4.7K	5% 1/10W	R535		VARIANT (SEE VARIANT PARTS LIST)		
R462	1-216-089-91	RES,CHIP 47K	5% 1/10W	R536	△ 1-249-377-11	CARBON 0.47	5% 1/4W F	
R463	1-249-435-11	CARBON 33K	5% 1/4W	R537	△ 1-249-377-11	CARBON 0.47	5% 1/4W F	
R464	1-216-097-91	RES,CHIP 100K	5% 1/10W	R538	1-247-887-00	CARBON 220K	5% 1/4W	
R465	1-249-413-11	CARBON 470	5% 1/4W	R541		VARIANT (SEE VARIANT PARTS LIST)		
R466		VARIANT (SEE VARIANT PARTS LIST)		R542		VARIANT (SEE VARIANT PARTS LIST)		
R467	1-216-069-00	RES,CHIP 6.8K	5% 1/10W	R543	△ 1-249-377-11	CARBON 0.47	5% 1/4W F	
R469		VARIANT (SEE VARIANT PARTS LIST)		R546		VARIANT (SEE VARIANT PARTS LIST)		
R470	1-216-077-91	RES,CHIP 15K	5% 1/10W	R547	1-215-457-00	METAL 33K	1% 1/4W	
R471	1-216-069-00	RES,CHIP 6.8K	5% 1/10W	R549	△ 1-215-437-00	METAL 4.7K	1% 1/4W	
R472		VARIANT (SEE VARIANT PARTS LIST)		R550	△ 1-249-377-11	CARBON 0.47	5% 1/4W F	
R473	1-249-398-11	CARBON 27	5% 1/4W	R551	1-215-873-00	METAL 4.7K	5% 1W F	
R474	1-216-077-91	RES,CHIP 15K	5% 1/10W	R552	1-216-069-00	RES,CHIP 6.8K	5% 1/10W	
R475	1-249-430-11	CARBON 12K	5% 1/4W	R553	△ 1-260-288-11	CARBON 0.47	5% 1/2W	
R476	1-249-430-11	CARBON 12K	5% 1/4W	R554	1-216-057-00	RES,CHIP 2.2K	5% 1/10W	
R477	1-249-398-11	CARBON 27	5% 1/4W	R561	1-216-073-00	RES,CHIP 10K	5% 1/10W	
R478	1-249-418-11	CARBON 1.2K	5% 1/4W	F	R563	1-216-351-00	METAL 1.5	5% 1W F
R479	1-249-418-11	CARBON 1.2K	5% 1/4W	F	R564	1-249-393-11	CARBON 10	5% 1/4W
R480	1-249-385-11	CARBON 2.2	5% 1/4W	F	R565	1-215-890-11	METAL 470	5% 2W F
R481	1-249-385-11	CARBON 2.2	5% 1/4W	F	R566	1-216-073-00	RES,CHIP 10K	5% 1/10W
R482	1-249-421-11	CARBON 2.2K	5% 1/4W	R567	1-249-385-11	CARBON 2.2	5% 1/4W F	
R483	1-249-421-11	CARBON 2.2K	5% 1/4W	R568	1-216-073-00	RES,CHIP 10K	5% 1/10W	
R501	1-216-037-00	RES,CHIP 330	5% 1/10W	R569	1-216-073-00	RES,CHIP 10K	5% 1/10W	
R502	1-216-061-00	RES,CHIP 3.3K	5% 1/10W	R570	1-216-097-91	RES,CHIP 100K	5% 1/10W	
R503	1-249-426-11	CARBON 5.6K	5% 1/4W	F	R571	1-216-081-00	RES,CHIP 22K	5% 1/10W
R504	1-215-915-11	METAL 470	5% 3W	F	R572	1-216-081-00	RES,CHIP 22K	5% 1/10W
R505	1-249-431-11	CARBON 15K	5% 1/4W	R573	1-216-097-91	RES,CHIP 100K	5% 1/10W	
R506	1-215-861-00	METAL 47	5% 1W	F	R574	△ 1-216-365-00	METAL 0.47	5% 2W F
R507	1-249-401-11	CARBON 47	5% 1/4W	R575	1-216-113-00	RES,CHIP 470K	5% 1/10W	
R508	1-249-427-11	CARBON 6.8K	5% 1/4W	R576	1-216-073-00	RES,CHIP 10K	5% 1/10W	
R509	1-247-750-11	CARBON 680	5% 1/2W	F	R577	1-216-097-91	RES,CHIP 100K	5% 1/10W
R510	1-215-860-11	METAL 33	5% 1W	F	R578	1-208-784-11	RES,CHIP 1.2K	0.50% 1/10W
R511		VARIANT (SEE VARIANT PARTS LIST)		R579	1-208-842-11	RES,CHIP 330K	0.50% 1/10W	
R512	1-215-911-11	METAL 100	5% 3W	F	R580	1-249-441-11	CARBON 100K	5% 1/4W
R515		VARIANT (SEE VARIANT PARTS LIST)		R1009		VARIANT (SEE VARIANT PARTS LIST)		
R516	1-216-057-00	RES,CHIP 2.2K	5% 1/10W	R1010		VARIANT (SEE VARIANT PARTS LIST)		
R517	1-249-415-11	CARBON 680	5% 1/4W	R1101	1-216-049-91	RES,CHIP 1K	5% 1/10W	

Note:

The components identified by shading and mark \triangle are critical for safety. Replace only with part number specified.

Note:

Les composants identifiés par un trame et une marque \triangle sont critiques pour la sécurité. Ne les remplacer que par une pièce portant le numéro spécifié.

Common Parts Listing



REFNO.	PARTNO.	DESCRIPTION	REMARK	REFNO.	PARTNO.	DESCRIPTION	REMARK
R1102	1-215-900-11	METAL	22K 5% 2W F	R1266		VARIANT (SEE VARIANT PARTS LIST)	
R1103	1-216-051-00	RES,CHIP	1.2K 5% 1/10W	R1267		VARIANT (SEE VARIANT PARTS LIST)	
R1104	1-216-083-00	RES,CHIP	27K 5% 1/10W	R1268		VARIANT (SEE VARIANT PARTS LIST)	
R1105	1-216-689-11	RES,CHIP	39K 5% 1/10W	R1270		VARIANT (SEE VARIANT PARTS LIST)	
R1106	1-216-049-91	RES,CHIP	1K 5% 1/10W	R1273		VARIANT (SEE VARIANT PARTS LIST)	
R1107	1-216-065-91	RES,CHIP	4.7K 5% 1/10W	R1274		VARIANT (SEE VARIANT PARTS LIST)	
R1108	1-216-073-00	RES,CHIP	10K 5% 1/10W	R1277		VARIANT (SEE VARIANT PARTS LIST)	
R1109	1-216-019-00	RES,CHIP	56 5% 1/10W	R1278		VARIANT (SEE VARIANT PARTS LIST)	
R1110	1-216-019-00	RES,CHIP	56 5% 1/10W	R1280		VARIANT (SEE VARIANT PARTS LIST)	
R1111	1-216-019-00	RES,CHIP	56 5% 1/10W	R1282		VARIANT (SEE VARIANT PARTS LIST)	
R1115	1-216-045-00	RES,CHIP	680 5% 1/10W	R1283		VARIANT (SEE VARIANT PARTS LIST)	
R1117	1-249-425-11	CARBON	4.7K 5% 1/4W	R1284		VARIANT (SEE VARIANT PARTS LIST)	
R1118	1-249-425-11	CARBON	4.7K 5% 1/4W	R1286		VARIANT (SEE VARIANT PARTS LIST)	
R1120	1-216-057-00	RES,CHIP	2.2K 5% 1/10W	R1287		VARIANT (SEE VARIANT PARTS LIST)	
R1121	1-216-035-00	RES,CHIP	270 5% 1/10W	R1288		VARIANT (SEE VARIANT PARTS LIST)	
R1122	1-216-115-00	RES,CHIP	560K 5% 1/10W	R1290		VARIANT (SEE VARIANT PARTS LIST)	
R1123	1-216-039-00	RES,CHIP	390 5% 1/10W	R1291		VARIANT (SEE VARIANT PARTS LIST)	
R1125	1-216-057-00	RES,CHIP	2.2K 5% 1/10W	R1292		VARIANT (SEE VARIANT PARTS LIST)	
R1126	1-216-035-00	RES,CHIP	270 5% 1/10W	R1293		VARIANT (SEE VARIANT PARTS LIST)	
R1127	1-216-115-00	RES,CHIP	560K 5% 1/10W	R1294		VARIANT (SEE VARIANT PARTS LIST)	
R1128	1-216-039-00	RES,CHIP	390 5% 1/10W	R1295		VARIANT (SEE VARIANT PARTS LIST)	
R1130	1-216-057-00	RES,CHIP	2.2K 5% 1/10W	R1296		VARIANT (SEE VARIANT PARTS LIST)	
R1234		VARIANT (SEE VARIANT PARTS LIST)		R1351	1-247-815-91	CARBON 220 5% 1/4W	
R1240		VARIANT (SEE VARIANT PARTS LIST)		R1352	1-247-815-91	CARBON 220 5% 1/4W	
R1241		VARIANT (SEE VARIANT PARTS LIST)		R1353	1-247-815-91	CARBON 220 5% 1/4W	
R1242		VARIANT (SEE VARIANT PARTS LIST)		R1354	1-216-033-00	RES,CHIP 220 5% 1/10W	
R1243		VARIANT (SEE VARIANT PARTS LIST)		R1355	1-216-025-91	RES,CHIP 100 5% 1/10W	
R1244		VARIANT (SEE VARIANT PARTS LIST)		R1356	1-216-025-91	RES,CHIP 100 5% 1/10W	
R1245		VARIANT (SEE VARIANT PARTS LIST)		R1357	1-216-025-91	RES,CHIP 100 5% 1/10W	
R1246		VARIANT (SEE VARIANT PARTS LIST)		R1358	1-247-807-31	CARBON 100 5% 1/4W	
R1247		VARIANT (SEE VARIANT PARTS LIST)		R1359	1-216-025-91	RES,CHIP 100 5% 1/10W	
R1248		VARIANT (SEE VARIANT PARTS LIST)		R1360	1-216-069-00	RES,CHIP 6.8K 5% 1/10W	
R1249		VARIANT (SEE VARIANT PARTS LIST)		R1361	1-216-065-91	RES,CHIP 4.7K 5% 1/10W	
R1250		VARIANT (SEE VARIANT PARTS LIST)		R1362	1-216-295-91	SHORT	
R1251		VARIANT (SEE VARIANT PARTS LIST)		R1407		VARIANT (SEE VARIANT PARTS LIST)	
R1252		VARIANT (SEE VARIANT PARTS LIST)		R1410		VARIANT (SEE VARIANT PARTS LIST)	
R1253		VARIANT (SEE VARIANT PARTS LIST)		R1411		VARIANT (SEE VARIANT PARTS LIST)	
R1254		VARIANT (SEE VARIANT PARTS LIST)		R1412		VARIANT (SEE VARIANT PARTS LIST)	
R1255		VARIANT (SEE VARIANT PARTS LIST)		R1413		VARIANT (SEE VARIANT PARTS LIST)	
R1256		VARIANT (SEE VARIANT PARTS LIST)		R1414		VARIANT (SEE VARIANT PARTS LIST)	
R1257		VARIANT (SEE VARIANT PARTS LIST)		R1415		VARIANT (SEE VARIANT PARTS LIST)	
R1258		VARIANT (SEE VARIANT PARTS LIST)		R1418		VARIANT (SEE VARIANT PARTS LIST)	
R1259		VARIANT (SEE VARIANT PARTS LIST)		R1419		VARIANT (SEE VARIANT PARTS LIST)	
R1260		VARIANT (SEE VARIANT PARTS LIST)		R1420		VARIANT (SEE VARIANT PARTS LIST)	
R1261		VARIANT (SEE VARIANT PARTS LIST)		R1421		VARIANT (SEE VARIANT PARTS LIST)	
R1262		VARIANT (SEE VARIANT PARTS LIST)		R1424		VARIANT (SEE VARIANT PARTS LIST)	
R1263		VARIANT (SEE VARIANT PARTS LIST)		R1425		VARIANT (SEE VARIANT PARTS LIST)	
R1264		VARIANT (SEE VARIANT PARTS LIST)					
R1265		VARIANT (SEE VARIANT PARTS LIST)					



Common Parts Listing

Note:

The components identified by shading and mark \triangle are critical for safety. Replace only with part number specified.

Note:

Les composants identifiés par un trame et une marque \triangle sont critiques pour la sécurité. Ne les remplacer que par une pièce portant le numéro spécifié.

<u>REF.NO.</u>	<u>PART.NO.</u>	<u>DESCRIPTION</u>	<u>REMARK</u>	<u>REF.NO.</u>	<u>PART.NO.</u>	<u>DESCRIPTION</u>	<u>REMARK</u>
		<u>SWITCH</u>					
S001		VARIANT (SEE VARIANT PARTS LIST)					
S002		VARIANT (SEE VARIANT PARTS LIST)					
S003		VARIANT (SEE VARIANT PARTS LIST)					
S004		VARIANT (SEE VARIANT PARTS LIST)					
S005		VARIANT (SEE VARIANT PARTS LIST)					
S006		VARIANT (SEE VARIANT PARTS LIST)					
S007		VARIANT (SEE VARIANT PARTS LIST)					
S501	1-572-707-11	SWITCH, LEVER					
		<u>TRANSFORMER</u>					
T501	1-437-210-11	TRANSFORMER,HORIZONTAL DRIVE					
T502		VARIANT (SEE VARIANT PARTS LIST)					
T503		VARIANT (SEE VARIANT PARTS LIST)					
T504		VARIANT (SEE VARIANT PARTS LIST)					
		<u>TUNER</u>					
TU102	\triangle 8-598-431-00	TUNER, FSS BTF-WA411					
		<u>CRYSTAL</u>					
X001	1-578-774-11	VIBRATOR, CRYSTAL					
X353	1-567-505-11	OSCILLATOR, CRYSTAL					
X354	1-577-611-11	OSCILLATOR, CERAMIC					

Note:

The components identified by shading and mark \triangle are critical for safety. Replace only with part number specified.

Note:

Les composants identifiés par un trame et une marque \triangle sont critiques pour la sécurité. Ne les remplacer que par une pièce portant le numéro spécifié.

Variant Parts Listing

A

The parts on this page belong to the following model(s) only:

KV-32S42

REF.NO.	PART NO.	DESCRIPTION	REMARK	REF.NO.	PART NO.	DESCRIPTION	REMARK
A-Board Variant Parts List							
KV-32S42							
	* A-1299-001-A	A COMPLETE PC BOARD					
CAPACITOR							
C068	1-164-096-11	CERAMIC	0.01 μ F 50V				
C370	1-163-037-11	CERAMIC	0.022 μ F 10% 50V				
C375	1-165-319-11	CERAMIC	0.1 μ F 50V				
C461	1-126-933-11	ELECT	100 μ F 20% 16V				
C513	\triangle 1-130-895-00	FILM	0.056 μ F 5% 400V				
C514	\triangle 1-104-844-11	FILM	0.62 μ F 5% 200V				
C520	1-164-645-11	CERAMIC	1000pF 10% 500V				
C521	1-164-161-11	CERAMIC	0.0022 μ F 10% 50V				
C537	1-126-941-11	ELECT	470 μ F 20% 25V				
C539	1-126-935-11	ELECT	470 μ F 20% 16V				
C1236	1-163-031-11	CERAMIC	0.01 μ F 50V				
C1237	1-136-161-00	FILM	0.047 μ F 5% 50V				
C1238	1-136-161-00	FILM	0.047 μ F 5% 50V				
C1239	1-126-960-11	ELECT	1 μ F 20% 50V				
C1240	1-126-960-11	ELECT	1 μ F 20% 50V				
C1244	1-126-959-11	ELECT	0.47 μ F 20% 50V				
C1245	1-126-959-11	ELECT	0.47 μ F 20% 50V				
C1261	1-104-664-11	ELECT	47 μ F 20% 16V				
C1262	1-104-664-11	ELECT	47 μ F 20% 16V				
C1263	1-126-960-11	ELECT	1 μ F 20% 50V				
C1264	1-126-960-11	ELECT	1 μ F 20% 50V				
C1267	1-136-161-00	FILM	0.047 μ F 5% 50V				
C1268	1-126-960-11	ELECT	1 μ F 20% 50V				
C1269	1-126-960-11	ELECT	1 μ F 20% 50V				
C1293	1-163-251-11	CERAMIC	100pF 5% 50V				
C1401	1-126-959-11	ELECT	0.47 μ F 20% 50V				
C1402	1-104-664-11	ELECT	47 μ F 20% 25V				
C1403	1-126-959-11	ELECT	0.47 μ F 20% 50V				
C1404	1-126-956-91	ELECT	0.1 μ F 20% 50V				
C1405	1-163-017-00	CERAMIC	0.0047 μ F 10% 50V				
C1406	1-126-956-91	ELECT	0.1 μ F 20% 50V				
C1407	1-163-017-00	CERAMIC	0.0047 μ F 10% 50V				
C1408	1-126-963-11	ELECT	4.7 μ F 20% 50V				
C1409	1-126-963-11	ELECT	4.7 μ F 20% 50V				
C1410	1-126-956-91	ELECT	0.1 μ F 20% 50V				
C1411	1-165-319-11	CERAMIC	0.1 μ F 50V				
C1413	1-126-963-11	ELECT	4.7 μ F 20% 50V				
C1415	1-126-964-11	ELECT	10 μ F 20% 50V				
C1416	1-126-963-11	ELECT	4.7 μ F 20% 50V				
C1417	1-126-767-11	ELECT	1000 μ F 20% 16V				
C1420	1-126-963-11	ELECT	4.7 μ F 20% 50V				
C1501	1-115-462-11	FILM	0.12 μ F 5% 200V				
				CONNECTOR			
CN1941	* 1-564-508-11	PLUG, CONNECTOR 5P					
				DIODE			
D005	8-719-991-33	DIODE 1SS133T-77					
D006	1-810-039-31	LED UNIT					
D1247	8-719-110-17	DIODE RD10ESB2					
D1248	8-719-981-99	DIODE MTZJ-3.3					
D1261	8-719-110-17	DIODE RD10ESB2					
D1262	8-719-110-17	DIODE RD10ESB2					
				IC			
IC003	8-742-134-00	HYB IC SBX1981-51P					
IC1261	8-759-366-77	IC MM1311AD					
IC1401	8-752-072-39	IC CXA2021S					
IC1402	8-759-100-96	IC UPC4558G2					
				JACK			
J1232	1-774-751-11	TERMINAL BLOCK, S					
J1234	1-774-750-11	JACK BLOCK, PIN					
				CHIP CONDUCTOR			
JR351	1-216-295-91	SHORT					
JR352	1-216-295-91	SHORT					
JR1264	1-216-295-91	SHORT					
JR1450	1-216-295-91	SHORT					
JR1451	1-216-295-91	SHORT					
				COIL			
L461	1-408-602-31	INDUCTOR 8.2 μ H					
L1401	1-410-494-11	INDUCTOR 1 μ H					
				TRANSISTOR			
Q1231	8-729-422-27	TRANSISTOR 2SD601A-Q					
Q1232	8-729-422-27	TRANSISTOR 2SD601A-Q					
Q1261	8-729-216-22	TRANSISTOR 2SA1162-G					
Q1262	8-729-216-22	TRANSISTOR 2SA1162-G					
Q1263	8-729-422-27	TRANSISTOR 2SD601A-Q					
				RESISTOR			
R044	1-216-033-00	RES,CHIP	220 5% 1/10W				
R059	1-216-047-91	RES,CHIP	820 5% 1/10W				
R060	1-216-049-91	RES,CHIP	1K 5% 1/10W				
R061	1-216-055-00	RES,CHIP	1.8K 5% 1/10W				
R062	1-216-065-91	RES,CHIP	4.7K 5% 1/10W				
R063	1-216-073-00	RES,CHIP	10K 5% 1/10W				
R074	1-216-033-00	RES,CHIP	220 5% 1/10W				
R075	1-216-033-00	RES,CHIP	220 5% 1/10W				
R098	\triangle 1-249-385-11	CARBON	2.2 5% 1/4W F				
R365	1-216-101-00	RES,CHIP	150K 5% 1/10W				
R374	1-216-125-00	RES,CHIP	1.5M 5% 1/10W				
R466	1-249-388-11	CARBON	3.9 5% 1/4W F				
R469	1-216-069-00	RES,CHIP	6.8K 5% 1/10W				
R472	1-216-069-00	RES,CHIP	6.8K 5% 1/10W				
R511	1-215-885-00	METAL	68 5% 2W F				

A**Variant Parts Listing**

The parts on this page belong to the following model(s) only:

KV-32S42**Note:**The components identified by shading and mark \triangle are critical for safety. Replace only with part number specified.**Note:**The components identified by \boxtimes in this manual have been carefully factory-selected for each set in order to satisfy regulations regarding x-ray radiation. Should replacement be required, replace only with the value originally used.

REF.NO.	PART NO.	DESCRIPTION	REMARK	REF.NO.	PART NO.	DESCRIPTION	REMARK
R515	1-216-083-00	RES,CHIP 27K	5% 1/10W	R1295	1-216-049-91	RES,CHIP 1K	5% 1/10W
R523	1-216-073-00	RES,CHIP 10K	5% 1/10W	R1407	1-216-073-00	RES,CHIP 10K	5% 1/10W
R529	1-208-814-91	RES,CHIP 22K	0.50% 1/10W	R1410	1-216-121-91	RES,CHIP 1M	5% 1/10W
\boxtimes R531 \triangle	1-208-826-11	RES,CHIP 68K	0.50% 1/10W	R1411	1-216-073-00	RES,CHIP 10K	5% 1/10W
R533	1-215-902-11	METAL 47K	5% 1W F	R1412	1-216-081-00	RES,CHIP 22K	5% 1/10W
R535	1-216-101-00	RES,CHIP 150K	5% 1/10W	R1413	1-216-089-91	RES,CHIP 47K	5% 1/10W
R546	1-215-453-00	METAL 22K	1% 1/4W	R1414	1-216-089-91	RES,CHIP 47K	5% 1/10W
R1009	1-216-033-00	RES,CHIP 220	5% 1/10W	R1415	1-216-025-91	RES,CHIP 100	5% 1/10W
R1010	1-216-033-00	RES,CHIP 220	5% 1/10W	R1418	1-216-081-00	RES,CHIP 22K	5% 1/10W
R1234	1-249-441-11	CARBON 100K	5% 1/4W	R1419	1-216-089-91	RES,CHIP 47K	5% 1/10W
R1240	1-216-022-00	RES,CHIP 75	5% 1/10W	R1420	1-216-089-91	RES,CHIP 47K	5% 1/10W
R1241	1-216-022-00	RES,CHIP 75	5% 1/10W	R1421	1-216-025-91	RES,CHIP 100	5% 1/10W
R1242	1-216-065-91	RES,CHIP 4.7K	5% 1/10W	R1424	1-247-815-91	CARBON 220	5% 1/4W
R1243	1-249-441-11	CARBON 100K	5% 1/4W	R1425	1-247-815-91	CARBON 220	5% 1/4W
R1244	1-216-022-00	RES,CHIP 75	5% 1/10W				
R1245	1-216-113-00	RES,CHIP 470K	5% 1/10W	SWITCH			
R1246	1-216-065-91	RES,CHIP 4.7K	5% 1/10W	S001	1-692-431-21	SWITCH, TACTILE	
R1247	1-216-113-00	RES,CHIP 470K	5% 1/10W	S002	1-692-431-21	SWITCH, TACTILE	
R1248	1-216-065-91	RES,CHIP 4.7K	5% 1/10W	S003	1-692-431-21	SWITCH, TACTILE	
R1254	1-216-113-00	RES,CHIP 470K	5% 1/10W	S004	1-692-431-21	SWITCH, TACTILE	
R1255	1-216-049-91	RES,CHIP 1K	5% 1/10W	S005	1-692-431-21	SWITCH, TACTILE	
R1256	1-216-113-00	RES,CHIP 470K	5% 1/10W	S006	1-692-431-21	SWITCH, TACTILE	
R1257	1-216-049-91	RES,CHIP 1K	5% 1/10W	S007	1-692-431-21	SWITCH, TACTILE	
R1258	1-216-061-00	RES,CHIP 3.3K	5% 1/10W	TRANSFORMER			
R1259	1-216-097-91	RES,CHIP 100K	5% 1/10W	T502 \triangle	1-424-545-11	TRANSFORMER,FERRITE (PMT)	
R1260	1-216-061-00	RES,CHIP 3.3K	5% 1/10W	T503 \triangle	1-453-207-11	FBT ASSY, NX-2609//X4C	
R1261	1-216-033-00	RES,CHIP 220	5% 1/10W				
R1262	1-216-025-91	RES,CHIP 100	5% 1/10W				
R1263	1-216-033-00	RES,CHIP 220	5% 1/10W				
R1264	1-216-025-91	RES,CHIP 100	5% 1/10W				
R1265	1-216-033-00	RES,CHIP 220	5% 1/10W				
R1266	1-216-025-91	RES,CHIP 100	5% 1/10W				
R1267	1-216-295-91	SHORT					
R1268	1-216-025-91	RES,CHIP 100	5% 1/10W				
R1270	1-216-025-91	RES,CHIP 100	5% 1/10W				
R1277	1-247-815-91	CARBON 220	5% 1/4W				
R1278	1-247-815-91	CARBON 220	5% 1/4W				
R1280	1-216-025-91	RES,CHIP 100	5% 1/10W				
R1282	1-216-025-91	RES,CHIP 100	5% 1/10W				
R1284	1-247-807-31	CARBON 100	5% 1/4W				
R1286	1-216-049-91	RES,CHIP 1K	5% 1/10W				
R1287	1-216-049-91	RES,CHIP 1K	5% 1/10W				
R1288	1-247-807-31	CARBON 100	5% 1/4W				
R1290	1-216-041-00	RES,CHIP 470	5% 1/10W				
R1291	1-216-045-00	RES,CHIP 680	5% 1/10W				
R1292	1-216-065-91	RES,CHIP 4.7K	5% 1/10W				
R1293	1-216-065-91	RES,CHIP 4.7K	5% 1/10W				
R1294	1-216-049-91	RES,CHIP 1K	5% 1/10W				

Note:

The components identified by shading and mark \triangle are critical for safety. Replace only with part number specified.

Note:

The components identified by \boxtimes in this manual have been carefully factory-selected for each set in order to satisfy regulations regarding x-ray radiation. Should replacement be required, replace only with the value originally used.

Variant Parts Listing

The parts on this page belong to the following model(s) only:

KV-32S66

A

REF.NO. PART NO. DESCRIPTION REMARK

A-Board Variant Parts List KV-32S66

* A-1298-997-A A COMPLETE PC BOARD

CAPACITOR

C090	1-137-368-11	FILM	0.0047MF	5%	50V
C360	1-126-956-91	ELECT	0.1MF	20%	50V
C361	1-126-956-91	ELECT	0.1MF	20%	50V
C362	1-126-956-91	ELECT	0.1MF	20%	50V
C370	1-163-037-11	CERAMIC	0.022MF	10%	50V
C461	1-126-933-11	ELECT	100MF	20%	16V
C513	\triangle 1-130-895-00	FILM	0.056MF	5%	400V
C514	\triangle 1-104-844-11	FILM	0.62MF	5%	200V
C520	1-164-645-11	CERAMIC	1000PF	10%	500V
C521	1-164-161-11	CERAMIC	0.0022MF	10%	50V
C537	1-126-941-11	ELECT	470MF	20%	25V
C539	1-126-935-11	ELECT	470MF	20%	16V
C1501	1-115-462-11	FILM	0.12MF	5%	200V

CONNECTOR

CN271	1-573-978-21	CONNECTOR, BOARD TO BOARD 11P			
CN1101	1-573-298-11	CONNECTOR, BOARD TO BOARD 20P			
CN1941 *	1-564-508-11	PLUG, CONNECTOR 5P			
CN3003 *	1-564-596-11	PLUG, CONNECTOR 15P			

DIODE

D368	8-719-991-33	DIODE 1SS133T-77			
------	--------------	------------------	--	--	--

CHIP CONDUCTOR

JR001	1-216-295-91	SHORT			
JR1417	1-216-295-91	SHORT			

COIL

L461	1-408-602-31	INDUCTOR	8.2UH		
------	--------------	----------	-------	--	--

TRANSISTOR

Q018	8-729-422-27	TRANSISTOR 2SD601A-Q			
------	--------------	----------------------	--	--	--

RESISTOR

R006	1-247-815-91	CARBON	220	5%	1/4W
R008	1-247-815-91	CARBON	220	5%	1/4W
R012	1-216-033-00	RES,CHIP	220	5%	1/10W
R031	1-247-815-91	CARBON	220	5%	1/4W
R040	1-247-815-91	CARBON	220	5%	1/4W
R041	1-216-065-91	RES,CHIP	4.7K	5%	1/10W
R042	1-216-065-91	RES,CHIP	4.7K	5%	1/10W
R044	1-216-033-00	RES,CHIP	220	5%	1/10W
R045	1-247-815-91	CARBON	220	5%	1/4W
R074	1-216-025-91	RES,CHIP	100	5%	1/10W
R075	1-216-025-91	RES,CHIP	100	5%	1/10W
R090	1-216-033-00	RES,CHIP	220	5%	1/10W
R102	1-216-089-91	RES,CHIP	47K	5%	1/10W

REF.NO. PART NO. DESCRIPTION REMARK

R104	1-216-065-91	RES,CHIP	4.7K	5%	1/10W	
R358	1-247-815-91	CARBON	220	5%	1/4W	
R359	1-247-815-91	CARBON	220	5%	1/4W	
R360	1-247-815-91	CARBON	220	5%	1/4W	
R365	1-216-101-00	RES,CHIP	150K	5%	1/10W	
R374	1-216-125-00	RES,CHIP	1.5M	5%	1/10W	
R386	1-216-049-91	RES,CHIP	1K	5%	1/10W	
R466	1-249-388-11	CARBON	3.9	5%	1/4W	F
R469	1-216-055-00	RES,CHIP	1.8K	5%	1/10W	
R472	1-216-055-00	RES,CHIP	1.8K	5%	1/10W	
R511	1-215-885-00	METAL	68	5%	2W	F
R515	1-216-083-00	RES,CHIP	27K	5%	1/10W	
R523	1-216-073-00	RES,CHIP	10K	5%	1/10W	
R529	1-208-814-91	RES,CHIP	22K	0.50%	1/10W	
\boxtimes R531	\triangle 1-208-826-11	RES,CHIP	68K	0.50%	1/10W	
R533	1-215-902-11	METAL	47K	5%	1W	F
R535	1-216-101-00	RES,CHIP	150K	5%	1/10W	
R546	1-215-453-00	METAL	22K	1%	1/4W	

TRANSFORMER

T502	\triangle 1-424-545-11	TRANSFORMER, FERRITE (PMT)			
T503	\triangle 1-453-207-11	FBT ASSY, NX-2609//X4C			

A**Variant Parts Listing**

The parts on this page belong to the following model(s) only:

KV-32V42

Note:The components identified by shading and mark \triangle are critical for safety. Replace only with part number specified.**Note:**The components identified by \boxtimes in this manual have been carefully factory-selected for each set in order to satisfy regulations regarding x-ray radiation. Should replacement be required, replace only with the value originally used.**REF.NO. PART NO. DESCRIPTION REMARK****A-Board Variant Parts List
KV-32V42**

* A-1298-999-A A COMPLETE PC BOARD

CAPACITOR

C370	1-163-037-11	CERAMIC	0.022 μ F	10%	50V
C375	1-164-004-11	CERAMIC	0.1 μ F	10%	25V
C461	1-126-964-11	ELECT	10 μ F	20%	50V
C513	\triangle 1-130-895-00	FILM	0.056 μ F	5%	400V

C514	\triangle 1-104-844-11	FILM	0.62 μ F	5%	200V
C520	1-164-645-11	CERAMIC	1000pF	10%	500V
C521	1-164-161-11	CERAMIC	0.0022 μ F	10%	50V
C537	1-126-941-11	ELECT	470 μ F	20%	25V
C539	1-126-935-11	ELECT	470 μ F	20%	16V
C1501	1-115-462-11	FILM	0.12 μ F	5%	200V

CONNECTOR

CN271	1-573-978-21	CONNECTOR, BOARD TO BOARD 11P
CN1231	* 1-564-511-11	PLUG, CONNECTOR 8P
CN1941	* 1-564-508-11	PLUG, CONNECTOR 5P

CHIP CONDUCTOR

JR200	1-216-295-91	SHORT
JR351	1-216-295-91	SHORT
JR352	1-216-295-91	SHORT
JR1417	1-216-295-91	SHORT

COIL

L461	1-410-472-41	INDUCTOR	15 μ H
L1401	1-410-494-11	INDUCTOR	1 μ H

RESISTOR

R044	1-216-033-00	RES,CHIP	220	5%	1/10W
R074	1-216-033-00	RES,CHIP	220	5%	1/10W
R075	1-216-033-00	RES,CHIP	220	5%	1/10W
R089	1-216-033-00	RES,CHIP	220	5%	1/10W
R098	\triangle 1-249-385-11	CARBON	2.2	5%	1/4W F

R365	1-216-101-00	RES,CHIP	150K	5%	1/10W
R374	1-216-125-00	RES,CHIP	1.5M	5%	1/10W
R466	1-249-385-11	CARBON	2.2	5%	1/4W F
R469	1-216-055-00	RES,CHIP	1.8K	5%	1/10W
R472	1-216-055-00	RES,CHIP	1.8K	5%	1/10W

R511	1-215-885-00	METAL	68	5%	2W F
R515	1-216-083-00	RES,CHIP	27K	5%	1/10W
R523	1-216-073-00	RES,CHIP	10K	5%	1/10W
R529	1-208-814-91	RES,CHIP	22K	0.50%	1/10W
\boxtimes R531	\triangle 1-208-826-11	RES,CHIP	68K	0.50%	1/10W

R533	1-215-902-11	METAL	47K	5%	1W F
R535	1-216-101-00	RES,CHIP	150K	5%	1/10W
R546	1-215-453-00	METAL	22K	1%	1/4W
R1255	1-216-295-91	SHORT			

REF.NO. PART NO. DESCRIPTION REMARK**TRANSFORMER**

T502	\triangle 1-424-545-11	TRANSFORMER, FERRITE (PMT)
T503	\triangle 1-453-207-11	FBT ASSY, NX-2609//X4C

Note:

The components identified by shading and mark Δ are critical for safety. Replace only with part number specified.

Note:

Les composants identifiés par un trame et une marque Δ sont critiques pour la sécurité. Ne les remplacer que par une pièce portant le numéro spécifié.

Variant Parts Listing

A

The parts on this page belong to the following model(s) only:

KV-35S42

REF.NO.	PART NO.	DESCRIPTION	REMARK	REF.NO.	PART NO.	DESCRIPTION	REMARK
A-Board Variant Parts List							
KV-35S42							
	* A-1298-899-A	A COMPLETE PC BOARD					
	CAPACITOR						
C069	1-126-964-11	ELECT	10 μ F 20% 50V	C1417	1-126-767-11	ELECT	1000 μ F 20% 16V
C370	1-163-035-00	CERAMIC	0.047 μ F 50V	C1420	1-126-963-11	ELECT	4.7 μ F 20% 50V
C375	1-165-319-11	CERAMIC	0.1 μ F 50V	CONNECTOR			
C461	1-126-933-11	ELECT	100 μ F 20% 16V	CN1941 *	1-564-511-11	PLUG, CONNECTOR	8P
C513	Δ 1-129-720-00	FILM	0.033 μ F 5% 630V	DIODE			
C514	Δ 1-136-540-11	FILM	0.82 μ F 5% 200V	D1247	8-719-110-17	DIODE	RD10ESB2
C520	1-101-821-00	CERAMIC	0.0022 μ F 500V	D1248	8-719-981-99	DIODE	MTZJ-3.3
C521	1-164-182-11	CERAMIC	0.0033 μ F 10% 50V	D1261	8-719-110-17	DIODE	RD10ESB2
C537	1-126-942-61	ELECT	1000 μ F 20% 25V	D1262	8-719-110-17	DIODE	RD10ESB2
C539	1-126-942-61	ELECT	1000 μ F 20% 25V	IC			
C542	1-106-383-00	MYLAR	0.047 μ F 10% 200V	IC1261	8-759-366-77	IC	MM1311AD
C1236	1-163-031-11	CERAMIC	0.01 μ F 50V	IC1401	8-752-072-39	IC	CXA2021S
C1237	1-136-161-00	FILM	0.047 μ F 5% 50V	IC1402	8-759-100-96	IC	UPC4558G2
C1238	1-136-161-00	FILM	0.047 μ F 5% 50V	JACK			
C1239	1-126-960-11	ELECT	1 μ F 20% 50V	J1232	1-774-751-11	TERMINAL BLOCK,	S
C1240	1-126-960-11	ELECT	1 μ F 20% 50V	J1233	1-774-749-11	JACK BLOCK,	PIN
C1241	1-136-161-00	FILM	0.047 μ F 5% 50V	J1234	1-774-750-11	JACK BLOCK,	PIN
C1242	1-126-960-11	ELECT	1 μ F 20% 50V	CHIP CONDUCTOR			
C1243	1-126-960-11	ELECT	1 μ F 20% 50V	JR351	1-216-295-91	SHORT	
C1244	1-126-959-11	ELECT	0.47 μ F 20% 50V	JR352	1-216-295-91	SHORT	
C1245	1-126-959-11	ELECT	0.47 μ F 20% 50V	JR1264	1-216-295-91	SHORT	
C1261	1-104-664-11	ELECT	47 μ F 20% 16V	JR1450	1-216-295-91	SHORT	
C1262	1-104-664-11	ELECT	47 μ F 20% 16V	JR1451	1-216-295-91	SHORT	
C1263	1-126-960-11	ELECT	1 μ F 20% 50V	COIL			
C1264	1-126-960-11	ELECT	1 μ F 20% 50V	L461	1-408-602-31	INDUCTOR	8.2 μ H
C1267	1-136-161-00	FILM	0.047 μ F 5% 50V	L541	1-406-677-11	INDUCTOR	10 μ H
C1268	1-126-960-11	ELECT	1 μ F 20% 50V	L1401	1-410-494-11	INDUCTOR	1 μ H
C1269	1-126-960-11	ELECT	1 μ F 20% 50V	TRANSISTOR			
C1293	1-163-251-11	CERAMIC	100pF 5% 50V	Q1231	8-729-422-27	TRANSISTOR	2SD601A-Q
C1401	1-126-959-11	ELECT	0.47 μ F 20% 50V	Q1232	8-729-422-27	TRANSISTOR	2SD601A-Q
C1402	1-104-664-11	ELECT	47 μ F 20% 25V	Q1261	8-729-216-22	TRANSISTOR	2SA1162-G
C1403	1-126-959-11	ELECT	0.47 μ F 20% 50V	Q1262	8-729-216-22	TRANSISTOR	2SA1162-G
C1404	1-126-956-91	ELECT	0.1 μ F 20% 50V	Q1263	8-729-422-27	TRANSISTOR	2SD601A-Q
C1405	1-163-017-00	CERAMIC	0.0047 μ F 10% 50V	RESISTOR			
C1406	1-126-956-91	ELECT	0.1 μ F 20% 50V	R044	1-216-033-00	RES,CHIP	220 5% 1/10W
C1407	1-163-017-00	CERAMIC	0.0047 μ F 10% 50V	R069	1-216-073-00	RES,CHIP	10K 5% 1/10W
C1408	1-126-963-11	ELECT	4.7 μ F 20% 50V	R074	1-216-033-00	RES,CHIP	220 5% 1/10W
C1409	1-126-963-11	ELECT	4.7 μ F 20% 50V	R075	1-216-033-00	RES,CHIP	220 5% 1/10W
C1410	1-126-956-91	ELECT	0.1 μ F 20% 50V	R085	1-216-073-00	RES,CHIP	10K 5% 1/10W
C1411	1-165-319-11	CERAMIC	0.1 μ F 50V	R098	Δ 1-249-385-11	CARBON	2.2 5% 1/4W F
C1413	1-126-963-11	ELECT	4.7 μ F 20% 50V	R365	1-216-097-91	RES,CHIP	100K 5% 1/10W
C1415	1-126-964-11	ELECT	10 μ F 20% 50V	R374	1-216-121-91	RES,CHIP	1M 5% 1/10W
C1416	1-126-963-11	ELECT	4.7 μ F 20% 50V	R466	1-249-388-11	CARBON	3.9 5% 1/4W F
				R469	1-216-065-91	RES,CHIP	4.7K 5% 1/10W
				R472	1-216-065-91	RES,CHIP	4.7K 5% 1/10W
				R511	1-215-886-11	METAL	100 5% 2W F
				R515	1-216-077-91	RES,CHIP	15K 5% 1/10W
				R523	1-216-071-00	RES,CHIP	8.2K 5% 1/10W

A**Variant Parts Listing**

The parts on this page belong to the following model(s) only:

KV-35S42**Note:**The components identified by shading and mark \triangle are critical for safety. Replace only with part number specified.**Note:**The components identified by \boxtimes in this manual have been carefully factory-selected for each set in order to satisfy regulations regarding x-ray radiation. Should replacement be required, replace only with the value originally used.

REF.NO.	PART NO.	DESCRIPTION	REMARK	REF.NO.	PART NO.	DESCRIPTION	REMARK
R529	1-208-812-11	RES,CHIP 18K	0.50% 1/10W	R1288	1-247-807-31	CARBON 100	5% 1/4W
\boxtimes R531	\triangle 1-208-838-91	RES,CHIP 220K	0.50% 1/10W	R1290	1-216-041-00	RES,CHIP 470	5% 1/10W
R533	1-215-878-00	METAL 33K	5% 1W F	R1291	1-216-045-00	RES,CHIP 680	5% 1/10W
R535	1-216-103-00	RES,CHIP 180K	5% 1/10W	R1292	1-216-065-91	RES,CHIP 4.7K	5% 1/10W
R541	1-249-377-11	CARBON 0.47	5% 1/4W F	R1293	1-216-065-91	RES,CHIP 4.7K	5% 1/10W
R542	1-249-397-11	CARBON 22	5% 1/4W F	R1294	1-216-049-91	RES,CHIP 1K	5% 1/10W
R546	1-215-451-00	METAL 18K	1% 1/4W	R1295	1-216-049-91	RES,CHIP 1K	5% 1/10W
R1234	1-249-441-11	CARBON 100K	5% 1/4W	R1296	1-216-025-91	RES,CHIP 100	5% 1/10W
R1240	1-216-022-00	RES,CHIP 75	5% 1/10W	R1407	1-216-073-00	RES,CHIP 10K	5% 1/10W
R1241	1-216-022-00	RES,CHIP 75	5% 1/10W	R1410	1-216-121-91	RES,CHIP 1M	5% 1/10W
R1242	1-216-065-91	RES,CHIP 4.7K	5% 1/10W	R1411	1-216-073-00	RES,CHIP 10K	5% 1/10W
R1243	1-249-441-11	CARBON 100K	5% 1/4W	R1412	1-216-081-00	RES,CHIP 22K	5% 1/10W
R1244	1-216-022-00	RES,CHIP 75	5% 1/10W	R1413	1-216-089-91	RES,CHIP 47K	5% 1/10W
R1245	1-216-113-00	RES,CHIP 470K	5% 1/10W	R1414	1-216-089-91	RES,CHIP 47K	5% 1/10W
R1246	1-216-065-91	RES,CHIP 4.7K	5% 1/10W	R1415	1-216-025-91	RES,CHIP 100	5% 1/10W
R1247	1-216-113-00	RES,CHIP 470K	5% 1/10W	R1418	1-216-081-00	RES,CHIP 22K	5% 1/10W
R1248	1-216-065-91	RES,CHIP 4.7K	5% 1/10W	R1419	1-216-089-91	RES,CHIP 47K	5% 1/10W
R1249	1-216-022-00	RES,CHIP 75	5% 1/10W	R1420	1-216-089-91	RES,CHIP 47K	5% 1/10W
R1250	1-216-113-00	RES,CHIP 470K	5% 1/10W	R1421	1-216-025-91	RES,CHIP 100	5% 1/10W
R1251	1-216-065-91	RES,CHIP 4.7K	5% 1/10W	R1424	1-247-815-91	CARBON 220	5% 1/4W
R1252	1-216-113-00	RES,CHIP 470K	5% 1/10W	R1425	1-247-815-91	CARBON 220	5% 1/4W
R1253	1-216-065-91	RES,CHIP 4.7K	5% 1/10W	TRANSFORMER			
R1254	1-216-113-00	RES,CHIP 470K	5% 1/10W	T502	\triangle 1-429-408-11	TRANSFORMER, FERRITE (PMT)	
R1255	1-216-049-91	RES,CHIP 1K	5% 1/10W	T503	\triangle X-4560-159-1	FBT ASSY, NX-3005/JIC4	
R1256	1-216-113-00	RES,CHIP 470K	5% 1/10W	T504	1-413-059-00	TRANSFORMER, FERRITE (DFT)	
R1257	1-216-049-91	RES,CHIP 1K	5% 1/10W				
R1258	1-216-061-00	RES,CHIP 3.3K	5% 1/10W				
R1259	1-216-097-91	RES,CHIP 100K	5% 1/10W				
R1260	1-216-061-00	RES,CHIP 3.3K	5% 1/10W				
R1261	1-216-033-00	RES,CHIP 220	5% 1/10W				
R1262	1-216-025-91	RES,CHIP 100	5% 1/10W				
R1263	1-216-033-00	RES,CHIP 220	5% 1/10W				
R1264	1-216-025-91	RES,CHIP 100	5% 1/10W				
R1265	1-216-033-00	RES,CHIP 220	5% 1/10W				
R1266	1-216-025-91	RES,CHIP 100	5% 1/10W				
R1267	1-216-295-91	SHORT					
R1268	1-216-025-91	RES,CHIP 100	5% 1/10W				
R1270	1-216-025-91	RES,CHIP 100	5% 1/10W				
R1273	1-216-033-00	RES,CHIP 220	5% 1/10W				
R1274	1-216-025-91	RES,CHIP 100	5% 1/10W				
R1277	1-247-815-91	CARBON 220	5% 1/4W				
R1278	1-247-815-91	CARBON 220	5% 1/4W				
R1280	1-216-025-91	RES,CHIP 100	5% 1/10W				
R1282	1-216-025-91	RES,CHIP 100	5% 1/10W				
R1283	1-247-791-91	CARBON 22	5% 1/4W				
R1284	1-247-807-31	CARBON 100	5% 1/4W				
R1286	1-216-049-91	RES,CHIP 1K	5% 1/10W				
R1287	1-216-049-91	RES,CHIP 1K	5% 1/10W				

Note:

The components identified by shading and mark Δ are critical for safety. Replace only with part number specified.

Note:

The components identified by \boxtimes in this manual have been carefully factory-selected for each set in order to satisfy regulations regarding x-ray radiation. Should replacement be required, replace only with the value originally used.

Variant Parts Listing

The parts on this page belong to the following model(s) only:

KV-35S66

A

REF.NO. PART NO. DESCRIPTION REMARK

A-Board Variant Parts List KV-35S66

REF.NO.	PART NO.	DESCRIPTION	REMARK
*	A-1298-897-A	A COMPLETE PC BOARD	
		CAPACITOR	
C069	1-126-964-11	ELECT 10 μ H	20% 50V
C090	1-137-368-11	FILM 0.0047 μ H	5% 50V
C360	1-126-956-91	ELECT 0.1 μ H	20% 50V
C361	1-126-956-91	ELECT 0.1 μ H	20% 50V
C362	1-126-956-91	ELECT 0.1 μ H	20% 50V
C370	1-163-035-00	CERAMIC 0.047 μ H	50V
C461	1-126-933-11	ELECT 100 μ H	20% 16V
C513	Δ 1-129-720-00	FILM 0.033 μ H	5% 630V
C514	Δ 1-136-540-11	FILM 0.82 μ H	5% 200V
C520	1-101-821-00	CERAMIC 0.0022 μ H	500V
C521	1-164-182-11	CERAMIC 0.0033 μ H	10% 50V
C537	1-126-942-61	ELECT 1000 μ H	20% 25V
C539	1-126-942-61	ELECT 1000 μ H	20% 25V
C542	1-106-383-00	MYLAR 0.047 μ H	10% 200V
		CONNECTOR	
CN271	1-573-978-21	CONNECTOR, BOARD TO BOARD 11P	
CN1101	1-573-298-11	CONNECTOR, BOARD TO BOARD 20P	
CN1941 *	1-564-511-11	PLUG, CONNECTOR 8P	
CN3003 *	1-691-616-11	CONNECTOR, BOARD TO BOARD 15P	
		DIODE	
D368	8-719-991-33	DIODE 1SS133T-77	
		CHIP CONDUCTOR	
JR001	1-216-295-91	SHORT	
JR1417	1-216-295-91	SHORT	
		COIL	
L461	1-408-602-31	INDUCTOR 8.2 μ H	
L541	1-406-677-11	INDUCTOR 10 μ H	
		TRANSISTOR	
Q018	8-729-422-27	TRANSISTOR 2SD601A-Q	
		RESISTOR	
R006	1-247-815-91	CARBON 220	5% 1/4W
R008	1-247-815-91	CARBON 220	5% 1/4W
R012	1-216-033-00	RES,CHIP 220	5% 1/10W
R031	1-247-815-91	CARBON 220	5% 1/4W
R040	1-247-815-91	CARBON 220	5% 1/4W
R041	1-216-065-91	RES,CHIP 4.7K	5% 1/10W
R042	1-216-065-91	RES,CHIP 4.7K	5% 1/10W
R044	1-216-033-00	RES,CHIP 220	5% 1/10W
R045	1-247-815-91	CARBON 220	5% 1/4W
R069	1-216-073-00	RES,CHIP 10K	5% 1/10W
R074	1-216-025-91	RES,CHIP 100	5% 1/10W
R075	1-216-025-91	RES,CHIP 100	5% 1/10W

REF.NO. PART NO. DESCRIPTION REMARK

R085	1-216-073-00	RES,CHIP 10K	5% 1/10W
R090	1-216-033-00	RES,CHIP 220	5% 1/10W
R102	1-216-089-91	RES,CHIP 47K	5% 1/10W
R104	1-216-065-91	RES,CHIP 4.7K	5% 1/10W
R358	1-247-815-91	CARBON 220	5% 1/4W
R359	1-247-815-91	CARBON 220	5% 1/4W
R360	1-247-815-91	CARBON 220	5% 1/4W
R365	1-216-097-91	RES,CHIP 100K	5% 1/10W
R374	1-216-121-91	RES,CHIP 1M	5% 1/10W
R386	1-216-049-91	RES,CHIP 1K	5% 1/10W
R466	1-249-388-11	CARBON 3.9	5% 1/4W F
R469	1-216-055-00	RES,CHIP 1.8K	5% 1/10W
R472	1-216-055-00	RES,CHIP 1.8K	5% 1/10W
R511	1-215-886-11	METAL 100	5% 2W F
R515	1-216-077-91	RES,CHIP 15K	5% 1/10W
R523	1-216-071-00	RES,CHIP 8.2K	5% 1/10W
R529	1-208-812-11	RES,CHIP 18K	0.50% 1/10W
\boxtimes R531	Δ 1-208-838-91	RES,CHIP 220K	0.50% 1/10W
R533	1-215-878-00	METAL 33K	5% 1W F
R535	1-216-103-00	RES,CHIP 180K	5% 1/10W
R541	1-249-377-11	CARBON 0.47	5% 1/4W F
R542	1-249-397-11	CARBON 22	5% 1/4W F
R546	1-215-451-00	METAL 18K	1% 1/4W
		TRANSFORMER	
T502	Δ 1-429-408-11	TRANSFORMER, FERRITE (PMT)	
T503	Δ X-4560-159-1	FBT ASSY, NX-3005/JIC4	
T504	1-413-059-00	TRANSFORMER, FERRITE (DFT)	

A**Variant Parts Listing**

The parts on this page belong to the following model(s) only:
KV-35V42

Note:

The components identified by shading and mark \triangle are critical for safety. Replace only with part number specified.

Note:

The components identified by \boxtimes in this manual have been carefully factory-selected for each set in order to satisfy regulations regarding x-ray radiation. Should replacement be required, replace only with the value originally used.

REF.NO.	PART NO.	DESCRIPTION	REMARK
---------	----------	-------------	--------

A-Board Variant Parts List KV-35V42

* A-1298-898-A A COMPLETE PC BOARD

CAPACITOR

C069	1-126-964-11	ELECT	10 μ F	20%	50V
C076	1-126-960-11	ELECT	1 μ F	20%	50V
C077	1-126-960-11	ELECT	1 μ F	20%	50V
C370	1-163-035-00	CERAMIC	0.047 μ F		50V
C375	1-165-319-11	CERAMIC	0.1 μ F		50V

C461	1-126-933-11	ELECT	100 μ F	20%	16V
C513	\triangle 1-129-720-00	FILM	0.033 μ F	5%	630V
C514	\triangle 1-136-540-11	FILM	0.82 μ F	5%	200V
C520	1-101-821-00	CERAMIC	0.0022 μ F		500V
C521	1-164-182-11	CERAMIC	0.0033 μ F	10%	50V

C537	1-126-942-61	ELECT	1000 μ F	20%	25V
C539	1-126-942-61	ELECT	1000 μ F	20%	25V
C542	1-106-383-00	MYLAR	0.047 μ F	10%	200V

CONNECTOR

CN271	1-573-978-21	CONNECTOR, BOARD TO BOARD 11P			
CN1231 *	1-564-511-11	PLUG, CONNECTOR 8P			
CN1941 *	1-564-511-11	PLUG, CONNECTOR 8P			

DIODE

D1247	8-719-110-17	DIODE	RD10ESB2		
D1261	8-719-110-17	DIODE	RD10ESB2		
D1262	8-719-110-17	DIODE	RD10ESB2		

JACK

J1234	1-774-750-11	JACK BLOCK, PIN			
-------	--------------	-----------------	--	--	--

CHIP CONDUCTOR

JR200	1-216-295-91	SHORT			
JR351	1-216-295-91	SHORT			
JR352	1-216-295-91	SHORT			
JR1264	1-216-295-91	SHORT			
JR1417	1-216-295-91	SHORT			

COIL

L461	1-410-472-41	INDUCTOR	15 μ H		
L541	1-406-677-11	INDUCTOR	10 μ H		
L1401	1-410-494-11	INDUCTOR	1 μ H		

TRANSISTOR

Q1231	8-729-120-28	TRANSISTOR 2SC1623-L5L6			
Q1232	8-729-120-28	TRANSISTOR 2SC1623-L5L6			
Q1261	8-729-026-49	TRANSISTOR 2SA1037AK-T146-R			
Q1262	8-729-026-49	TRANSISTOR 2SA1037AK-T146-R			
Q1263	8-729-120-28	TRANSISTOR 2SC1623-L5L6			

RESISTOR

R044	1-216-049-91	RES,CHIP	1K	5%	1/10W
R069	1-216-073-00	RES,CHIP	10K	5%	1/10W

REF.NO.	PART NO.	DESCRIPTION	REMARK
---------	----------	-------------	--------

R074	1-216-033-00	RES,CHIP	220	5%	1/10W
R075	1-216-033-00	RES,CHIP	220	5%	1/10W
R085	1-216-073-00	RES,CHIP	10K	5%	1/10W
R089	1-216-033-00	RES,CHIP	220	5%	1/10W
R098	\triangle 1-249-385-11	CARBON	2.2	5%	1/4W F

R365	1-216-097-91	RES,CHIP	100K	5%	1/10W
R374	1-216-121-91	RES,CHIP	1M	5%	1/10W
R466	1-249-388-11	CARBON	3.9	5%	1/4W F
R469	1-216-055-00	RES,CHIP	1.8K	5%	1/10W
R472	1-216-065-91	RES,CHIP	4.7K	5%	1/10W

R511	1-215-886-11	METAL	100	5%	2W F
R515	1-216-077-91	RES,CHIP	15K	5%	1/10W
R523	1-216-071-00	RES,CHIP	8.2K	5%	1/10W
R529	1-208-812-11	RES,CHIP	18K	0.50%	1/10W
\boxtimes R531	\triangle 1-208-838-91	RES,CHIP	220K	0.50%	1/10W

R533	1-215-878-00	METAL	33K	5%	1W F
R535	1-216-103-00	RES,CHIP	180K	5%	1/10W
R541	1-249-377-11	CARBON	0.47	5%	1/4W F
R542	1-249-397-11	CARBON	22	5%	1/4W F
R546	1-215-451-00	METAL	18K	1%	1/4W
R1255	1-216-295-91	SHORT			

TRANSFORMER

T502	\triangle 1-429-408-11	TRANSFORMER, FERRITE (PMT)			
T503	\triangle X-4560-159-1	FBT ASSY, NX-3005/JIC4			
T504	1-413-059-00	TRANSFORMER, FERRITE (DFT)			

Note:

The components identified by shading and mark \triangle are critical for safety. Replace only with part number specified.

Note:

Les composants identifiés par un triangle et une marque \triangle sont critiques pour la sécurité. Ne les remplacer que par une pièce portant le numéro spécifié.

A	V	B
---	---	---

Complete Parts Listing

REFNO.	PARTNO.	DESCRIPTION	REMARK	REFNO.	PARTNO.	DESCRIPTION	REMARK
AV				RESISTOR			
	* A-1298-612-A	AV COMPLETE PC BOARD (KV-32S66/35S66 ONLY)		R101	\triangle 1-216-065-91	RES,CHIP 4.7K	5% 1/10W
CAPACITOR				R102	1-216-083-00	RES,CHIP 27K	5% 1/10W
C101	1-126-960-11	ELECT 1 μ F 20% 50V		R103	1-216-689-11	RES,CHIP 39K	5% 1/10W
C102	1-164-161-11	CERAMIC 0.0022 μ F 10% 50V		R104	1-216-045-00	RES,CHIP 680	5% 1/10W
C104	1-126-964-11	ELECT 10 μ F 20% 50V		R106	1-216-081-00	RES,CHIP 22K	5% 1/10W
C106	1-104-664-11	ELECT 47 μ F 20% 25V		R107	1-216-081-00	RES,CHIP 22K	5% 1/10W
C108	1-126-933-11	ELECT 100 μ F 20% 16V		R108	1-216-081-00	RES,CHIP 22K	5% 1/10W
C109	1-163-259-91	CERAMIC 220pF 5% 50V		R109	1-216-081-00	RES,CHIP 22K	5% 1/10W
C110	1-104-760-11	CERAMIC 0.047 μ F 10% 50V		R112	1-216-057-00	RES,CHIP 2.2K	5% 1/10W
C111	1-126-960-11	ELECT 1 μ F 20% 50V		R113	1-216-097-91	RES,CHIP 100K	5% 1/10W
C113	1-126-934-11	ELECT 220 μ F 20% 16V		R114	1-216-121-91	RES,CHIP 1M	5% 1/10W
C1904	1-102-129-00	CERAMIC 0.01 μ F 10% 50V		R115	1-216-073-00	RES,CHIP 10K	5% 1/10W
C1905	1-126-964-11	ELECT 10 μ F 20% 50V		R116	1-216-073-00	RES,CHIP 10K	5% 1/10W
C1906	1-102-129-00	CERAMIC 0.01 μ F 10% 50V		R117	1-216-065-91	RES,CHIP 4.7K	5% 1/10W
C1907	1-126-964-11	ELECT 10 μ F 20% 50V		R118	1-216-295-91	SHORT	
C1908	1-163-009-11	CERAMIC 0.001 μ F 10% 50V		R121	1-216-049-91	RES,CHIP 1K	5% 1/10W
C1909	1-163-009-11	CERAMIC 0.001 μ F 10% 50V		R125	1-216-043-91	RES,CHIP 560	5% 1/10W
CONNECTOR				R126	1-216-045-00	RES,CHIP 680	5% 1/10W
CN101	1-573-301-21	CONNECTOR,BOARD 20P		R1904	1-216-073-00	RES,CHIP 10K	5% 1/10W
CN102	1-573-979-21	CONNECTOR,BOARD 11P		R1905	1-216-073-00	RES,CHIP 10K	5% 1/10W
CN103	1-564-507-11	PLUG,CONNECTOR 4P		R2904	1-216-033-00	RES,CHIP 220	5% 1/10W
CN106	1-564-506-11	PLUG,CONNECTOR 3P		R2905	1-216-033-00	RES,CHIP 220	5% 1/10W
DIODE				R2909	1-216-073-00	RES,CHIP 10K	5% 1/10W
D101	8-719-109-89	DIODE RD5.6ESB2		R2910	1-216-073-00	RES,CHIP 10K	5% 1/10W
D103	8-719-991-33	DIODE 1SS133T-77		R2912	1-216-073-00	RES,CHIP 10K	5% 1/10W
D104	8-719-991-33	DIODE 1SS133T-77		R2913	1-216-073-00	RES,CHIP 10K	5% 1/10W
D105	8-719-991-33	DIODE 1SS133T-77		R2914	1-216-073-00	RES,CHIP 10K	5% 1/10W
D106	8-719-991-33	DIODE 1SS133T-77		TUNER			
IC				TU101	\triangle 8-598-430-00	TUNER, FSS BTF-FA401	
IC1901	8-752-058-68	IC CXA1315M-T4		B			
IC1902	8-759-470-63	IC NJM2145M-TE2		* A-1135-949-A	B, COMPLETE PC BOARD (KV-32S66/35S66)		
CHIP CONDUCTOR				* A-1135-948-A	B, COMPLETE PC BOARD (KV-32V42/35V42)		
JR102	1-216-295-91	SHORT		* A-1135-950-A	B, COMPLETE PC BOARD (KV-32S42/35S42)		
JR103	1-216-295-91	SHORT		CAPACITOR			
COIL				C3501	1-104-664-11	ELECT 47 μ F 20% 25V	
L102	1-410-470-11	INDUCTOR 10 μ H		C3502	1-163-231-11	CERAMIC 15pF 5% 50V	
L105	1-408-421-00	INDUCTOR 100 μ H		C3503	1-163-021-91	CERAMIC 0.01 μ F 10% 50V	
TRANSISTOR				C3504	1-126-964-11	ELECT 10 μ F 20% 50V	
Q101	8-729-119-78	TRANSISTOR 2SC2785-HFE		C3505	1-163-131-00	CERAMIC 390pF 5% 50V	
Q103	8-729-216-22	TRANSISTOR 2SA1162-G		C3506	1-163-021-91	CERAMIC 0.01 μ F 10% 50V	
Q104	8-729-216-22	TRANSISTOR 2SA1162-G		C3507	1-126-963-11	ELECT 4.7 μ F 20% 50V	
Q105	8-729-216-22	TRANSISTOR 2SA1162-G		C3508	1-163-021-91	CERAMIC 0.01 μ F 10% 50V	
Q106	8-729-422-27	TRANSISTOR 2SD601A-Q		C3509	1-126-961-11	ELECT 2.2 μ F 20% 50V	
Q1901	8-729-216-22	TRANSISTOR 2SA1162-G		C3510	1-163-229-11	CERAMIC 12pF 5% 50V	
Q1902	8-729-216-22	TRANSISTOR 2SA1162-G		C3511	1-126-960-11	ELECT 1 μ F 20% 50V	
				C3512	1-163-133-00	CERAMIC 470pF 5% 50V	
				C3513	1-163-131-00	CERAMIC 390pF 5% 50V	

B**Complete Parts Listing****Note:**

The components identified by shading and mark Δ are critical for safety. Replace only with part number specified.

Note:

Les composants identifiés par un trame et une marque Δ sont critiques pour la sécurité. Ne les remplacer que par une pièce portant le numéro spécifié.

REF.NO.	PART NO.	DESCRIPTION	REMARK	REF.NO.	PART NO.	DESCRIPTION	REMARK
C3514	1-163-009-11	CERAMIC	0.001 μ F 10%	50V	IC3503	8-759-231-53	IC L7805CV
C3515	1-126-963-11	ELECT	4.7 μ F 20%	50V	COIL		
C3516	1-163-089-00	CERAMIC	6pF 0.50%	50V	L3501	1-410-470-11	INDUCTOR 10 μ H
C3517	1-163-021-91	CERAMIC	0.01 μ F 10%	50V	L3502	1-410-466-41	INDUCTOR 4.7 μ H
C3518	1-126-941-11	ELECT	470 μ F 20%	25V	L3503	1-410-470-11	INDUCTOR 10 μ H
C3519	1-163-021-91	CERAMIC	0.01 μ F 10%	50V	L3504	1-410-470-11	INDUCTOR 10 μ H
C3520	1-163-133-00	CERAMIC	470pF 5%	50V	L3505	1-410-470-11	INDUCTOR 10 μ H
C3521	1-104-664-11	ELECT	47 μ F 20%	25V	TRANSISTOR		
C3522	1-126-964-11	ELECT	10 μ F 20%	50V	Q3501	8-729-422-27	TRANSISTOR 2SD601A-Q
C3523	1-163-021-91	CERAMIC	0.01 μ F 10%	50V	Q3502	8-729-216-22	TRANSISTOR 2SA1162-G
C3524	1-104-664-11	ELECT	47 μ F 20%	25V	Q3503	8-729-422-27	TRANSISTOR 2SD601A-Q
C3525	1-163-021-91	CERAMIC	0.01 μ F 10%	50V	Q3504	8-729-216-22	TRANSISTOR 2SA1162-G
C3526	1-163-038-91	CERAMIC	0.1 μ F	25V	Q3505	8-729-422-27	TRANSISTOR 2SD601A-Q
C3527	1-163-038-91	CERAMIC	0.1 μ F	25V	Q3506	8-729-216-22	TRANSISTOR 2SA1162-G
C3528	1-164-222-11	CERAMIC	0.22 μ F	25V	Q3507	8-729-216-22	TRANSISTOR 2SA1162-G
C3529	1-163-038-91	CERAMIC	0.1 μ F	25V	Q3509	8-729-216-22	TRANSISTOR 2SA1162-G
C3532	1-164-004-11	CERAMIC	0.1 μ F 10%	25V	Q3510	8-729-422-27	TRANSISTOR 2SD601A-Q
C3533	1-163-021-91	CERAMIC	0.01 μ F 10%	50V	Q3516	8-729-216-22	TRANSISTOR 2SA1162-G
C3534	1-163-021-91	CERAMIC	0.01 μ F 10%	50V	Q3555	8-729-216-22	TRANSISTOR 2SA1162-G
C3535	1-104-664-11	ELECT	47 μ F 20%	25V	RESISTOR		
C3536	1-126-964-11	ELECT	10 μ F 20%	50V	R3501	1-216-091-00	RES,CHIP 56K 5% 1/10W
C3537	1-163-231-11	CERAMIC	15pF 5%	50V	R3502	1-216-081-00	RES,CHIP 22K 5% 1/10W
C3538	1-163-021-91	CERAMIC	0.01 μ F 10%	50V	R3503	1-216-009-91	RES,CHIP 22 5% 1/10W
C3539	1-163-021-91	CERAMIC	0.01 μ F 10%	50V	R3504	1-216-029-00	RES,CHIP 150 5% 1/10W
C3540	1-163-231-11	CERAMIC	15pF 5%	50V	R3505	1-216-037-00	RES,CHIP 330 5% 1/10W
C3541	1-104-664-11	ELECT	47 μ F 20%	25V	R3506	1-216-035-00	RES,CHIP 270 5% 1/10W
C3542	1-163-021-91	CERAMIC	0.01 μ F 10%	50V	R3507	1-216-057-00	RES,CHIP 2.2K 5% 1/10W
C3543	1-104-664-11	ELECT	47 μ F 20%	25V	R3508	1-216-043-91	RES,CHIP 560 5% 1/10W
C3544	1-104-664-11	ELECT	47 μ F 20%	25V	R3509	1-216-075-00	RES,CHIP 12K 5% 1/10W
C3545	1-164-004-11	CERAMIC	0.1 μ F 10%	25V	R3510	1-216-049-91	RES,CHIP 1K 5% 1/10W
C3548	1-164-004-11	CERAMIC	0.1 μ F 10%	25V	R3511	1-216-065-91	RES,CHIP 4.7K 5% 1/10W
C3549	1-126-964-11	ELECT	10 μ F 20%	50V	R3512	1-216-065-91	RES,CHIP 4.7K 5% 1/10W
C3550	1-104-664-11	ELECT	47 μ F 20%	25V	R3513	1-216-041-00	RES,CHIP 470 5% 1/10W
C3551	1-163-021-91	CERAMIC	0.01 μ F 10%	50V	R3514	1-216-121-91	RES,CHIP 1M 5% 1/10W
C3553	1-126-941-11	ELECT	470 μ F 20%	25V	R3515	1-216-077-91	RES,CHIP 15K 5% 1/10W
C3556	1-128-551-11	ELECT	22 μ F 20%	25V	R3516	1-216-037-00	RES,CHIP 330 5% 1/10W
C3558	1-126-956-91	ELECT	0.1 μ F 20%	50V	R3517	1-216-077-91	RES,CHIP 15K 5% 1/10W
CONNECTOR				R3518	1-216-067-00	RES,CHIP 5.6K 5% 1/10W	
CN3502	1-573-978-21	CONNECTOR,BOARD TO BOARD 11P (KV-32S66/35S66 ONLY)		R3520	1-208-766-11	RES,CHIP 220 0.50% 1/10W	
CN3561 *	1-691-616-21	CONNECTOR,BOARD TO BOARD 15P (KV-32V42/S66/35V42/S66 ONLY)		R3521	1-208-766-11	RES,CHIP 220 0.50% 1/10W	
CN3570	1-573-301-21	CONNECTOR,BOARD TO BOARD 20P (KV-32S42/35S42 ONLY)		R3522	1-208-774-11	RES,CHIP 470 0.50% 1/10W	
FILTER				R3523	1-208-778-11	RES,CHIP 680 0.50% 1/10W	
FL3501	1-239-847-11	FILTER,LOW PASS		R3524	1-208-794-11	RES,CHIP 3.3K 0.50% 1/10W	
FL3502	1-239-847-11	FILTER,LOW PASS		R3529	1-216-295-91	SHORT	
FL3503	1-239-847-11	FILTER,LOW PASS		R3531	1-216-295-91	SHORT	
IC				R3534	1-216-295-91	SHORT	
IC3501	8-759-065-82	IC MM1093ND		R3535	1-216-295-91	SHORT	
IC3502	8-752-385-80	IC CXD2073S		R3536	1-216-057-00	RES,CHIP 2.2K 5% 1/10W	
				R3537	1-216-043-91	RES,CHIP 560 5% 1/10W	
				R3538	1-216-071-00	RES,CHIP 8.2K 5% 1/10W	
				R3539	1-216-089-91	RES,CHIP 47K 5% 1/10W	
				R3540	1-216-049-91	RES,CHIP 1K 5% 1/10W	

Note:

The components identified by shading and mark Δ are critical for safety. Replace only with part number specified.

Note:

Les composants identifiés par un triangle et une marque Δ sont critiques pour la sécurité. Ne les remplacer que par une pièce portant le numéro spécifié.

**Complete Parts Listing**

REFNO.	PARTNO.	DESCRIPTION	REMARK	REFNO.	PARTNO.	DESCRIPTION	REMARK
R3541	1-216-081-00	RES,CHIP 22K	5% 1/10W				
R3542	1-216-041-00	RES,CHIP 470	5% 1/10W				
R3543	1-216-035-00	RES,CHIP 270	5% 1/10W				
R3544	1-216-057-00	RES,CHIP 2.2K	5% 1/10W				
R3545	1-216-043-91	RES,CHIP 560	5% 1/10W				
R3546	1-216-071-00	RES,CHIP 8.2K	5% 1/10W				
R3547	1-216-089-91	RES,CHIP 47K	5% 1/10W				
R3548	1-216-081-00	RES,CHIP 22K	5% 1/10W				
R3549	1-216-049-91	RES,CHIP 1K	5% 1/10W				
R3550	1-208-774-11	RES,CHIP 470	0.50% 1/10W				
R3551	1-208-764-11	RES,CHIP 180	0.50% 1/10W				
R3558	1-216-049-91	RES,CHIP 1K	5% 1/10W				
R3565	1-216-295-91	SHORT					
R3566	1-216-025-91	RES,CHIP 100	5% 1/10W				
R3568	1-216-025-91	RES,CHIP 100	5% 1/10W				
R3569	1-216-041-00	RES,CHIP 470	5% 1/10W				
R3578	1-216-081-00	RES,CHIP 22K	5% 1/10W				
R3579	1-216-081-00	RES,CHIP 22K	5% 1/10W				
R3580	1-216-295-91	SHORT					
R3596	1-216-057-00	RES,CHIP 2.2K	5% 1/10W				
R3597	1-216-057-00	RES,CHIP 2.2K	5% 1/10W				
R3599	1-208-774-11	RES,CHIP 470	0.50% 1/10W				
		CRYSTAL					
X3501	1-567-505-11	OSCILLATOR,CRYSTAL					
		C					
	* A-1331-843-A	C BOARD, COMPLETE (KV-35S42/3566/35V42)					
	* A-1331-837-A	C BOARD, COMPLETE (KV-32S42/32S66/32V42)					
	4-382-854-11	SCREW (M3X10), P, SW (+)					
		CAPACITOR					
C1750	1-137-528-11	FILM 0.1 μ F	10% 250V				
C1751	1-107-655-11	ELECT 47 μ F	20% 250V				
C1790	1-102-129-00	CERAMIC 0.01 μ F	10% 50V				
C1791	1-126-968-11	ELECT 100 μ F	20% 50V				
C1792	1-102-106-00	CERAMIC 100pF	10% 50V				
C1794	1-107-651-11	ELECT 4.7 μ F	20% 250V				
		(KV-35S42/S66/V42 ONLY)					
C1795	1-102-074-00	CERAMIC 0.001 μ F	10% 50V				
C1799	1-162-114-00	CERAMIC 0.0047 μ F	2KV				
		CONNECTOR					
CN1761 *	1-564-509-11	PLUG, CONNECTOR 6P					
CN1764 *	1-564-508-11	PLUG, CONNECTOR 5P					
CN1766	1-695-915-11	TAB (CONTACT)					
		DIODE					
D1790	8-719-991-33	DIODE 1SS133T-77					
D1791	8-719-908-03	DIODE GP08D					
D1792	8-719-908-03	DIODE GP08D (KV-35S42/S66/V42 ONLY)					
D1793	8-719-908-03	DIODE GP08D					
D1794	8-719-908-03	DIODE GP08D					
		IC					
IC1701 Δ	8-759-562-43	IC TDA6108JF/N1B					
		JACK					
J1761 Δ	1-251-388-11	SOCKET, CRT					
		COIL					
L1790	1-412-537-31	INDUCTOR 100 μ H					
		TRANSISTOR					
Q1790	8-729-119-76	TRANSISTOR 2SA1175-HFE					
		RESISTOR					
R1750	1-247-870-11	CARBON 43K	5% 1/4W				
R1763	1-260-099-11	CARBON 1K	5% 1/2W				
R1764	1-247-807-31	CARBON 100	5% 1/4W				
R1773	1-260-099-11	CARBON 1K	5% 1/2W				
R1774	1-247-807-31	CARBON 100	5% 1/4W				
R1783	1-260-099-11	CARBON 1K	5% 1/2W				
R1784	1-247-807-31	CARBON 100	5% 1/4W				
R1788	1-216-349-00	METAL 1	5% 1W				F
R1789	1-249-437-11	CARBON 47K	5% 1/4W				
R1790	1-216-369-00	METAL 1	5% 2W				F
		(KV-35S42/S66/V42 ONLY)					
R1790	1-216-378-11	METAL 5.6	5% 2W				F
		(KV-32S42/S66/V42 ONLY)					
R1792	1-247-815-91	CARBON 220	5% 1/4W				
R1793	1-247-866-11	CARBON 30K	5% 1/4W				
R1794	1-260-132-11	CARBON 560K	5% 1/2W				
		(KV-35S42/S66/V42 ONLY)					
R1795	1-260-087-11	CARBON 100	5% 1/2W				
R1796	1-216-369-00	METAL 1	5% 2W				F
		(KV-35S42/S66/V42 ONLY)					
R1796	1-216-378-11	METAL 5.6	5% 2W				F
		(KV-32S42/S66/V42 ONLY)					
R1797	1-260-123-11	CARBON 100K	5% 1/2W				
		G					
	* A-1316-399-A	G BOARD, COMPLETE (KV-35S42/35S66/35V42)					
	* A-1316-389-A	G BOARD, COMPLETE (KV-32S42/32S66/32V42)					
	1-533-223-11	HOLDER,FUSE					
	4-382-854-11	SCREW(M3X10),P,SW(+)					
		CAPACITOR					
C601	1-136-346-21	FILM 0.22 μ F	20% 125V				
		(KV-35S42/S66/V42 ONLY)					
C602	1-126-964-11	ELECT 10 μ F	20% 50V				
C603 Δ	1-113-903-11	CERAMIC 0.001 μ F	20% 250V				
C604 Δ	1-136-346-21	FILM 0.22 μ F	20% 125V				
C605 Δ	1-136-346-21	FILM 0.22 μ F	20% 125V				
C606 Δ	1-117-894-11	ELECT 560 μ F	20% 250V				
C607 Δ	1-117-894-11	ELECT 560 μ F	20% 250V				
C608	1-165-127-11	CERAMIC 470pF	10% 500V				



Complete Parts Listing

Note:

The components identified by shading and mark Δ are critical for safety. Replace only with part number specified.

Note:

Les composants identifiés par un trame et une marque Δ sont critiques pour la sécurité. Ne les remplacer que par une pièce portant le numéro spécifié.

REF.NO.	PART NO.	DESCRIPTION	REMARK	REF.NO.	PART NO.	DESCRIPTION	REMARK
C609	1-136-175-00	FILM	0.68 μ F 5%	50V	D622	8-719-911-55	DIODE U05G
C610	1-136-175-00	FILM	0.68 μ F 5%	50V	D623	8-719-948-45	DIODE ERA22-08
C611	1-136-169-00	FILM	0.22 μ F 5%	50V	D624	8-719-991-33	DIODE 1SS133T-77
C612	1-136-169-00	FILM	0.22 μ F 5%	50V	D625	8-719-991-33	DIODE 1SS133T-77
C613	1-164-646-11	CERAMIC	2200pF 10%	500V	D626	8-719-109-93	DIODE RD6.2ESB2
C615	1-129-722-00	FILM	0.047 μ F 5%	630V	D627	8-719-510-48	DIODE D1N20R
C616	Δ 1-113-903-11	CERAMIC	0.001 μ F 20%	250V	D628	8-719-063-70	DIODE D1NL20U
C624	1-126-961-11	ELECT	2.2 μ F 20%	50V	D641	8-719-052-92	DIODE D10SBS4F
C628	1-119-907-51	CERAMIC	4700pF 20%	250V	D642	8-719-510-12	DIODE D10SC4M
C629	1-107-680-91	ELECT	22 μ F 20%	450V	D643	8-719-028-45	DIODE D2L20U
C630	1-130-471-00	MYLAR	0.001 μ F 5%	50V	D644	8-719-028-45	DIODE D2L20U
C631	1-137-605-11	FILM	0.01 μ F 10%	250V	D645	8-719-028-45	DIODE D2L20U
C633	1-130-471-00	MYLAR	0.001 μ F 5%	50V	D646	8-719-028-45	DIODE D2L20U
C634	1-130-467-00	MYLAR	470pF 5%	50V	D647	8-719-063-70	DIODE D1NL20U
C635	1-130-471-00	MYLAR	0.001 μ F 5%	50V	D648	Δ 8-719-057-52	DIODE EZ0150AV1
C636	1-126-965-11	ELECT	22 μ F 20%	50V	D649	8-719-510-02	DIODE D1NS4
C637	1-126-940-11	ELECT	330 μ F 20%	25V	D650	8-719-510-02	DIODE D1NS4
C640	1-119-907-51	CERAMIC	4700pF 20%	250V	FUSE		
C641	1-128-550-11	ELECT	2200 μ F 20%	50V	F601	Δ 1-576-193-11	FUSE 6.3A/125V
C643	1-107-641-11	ELECT	220 μ F 20%	160V	FERRITE BEAD		
C647	1-104-665-11	ELECT	100 μ F 20%	25V	FB601	1-410-396-41	FERRITE 0.45 μ H
C650	1-104-664-11	ELECT	47 μ F 20%	25V	FB602	1-410-396-41	FERRITE 0.45 μ H
C651	1-137-366-11	FILM	0.0022 μ F 5%	50V	FB603	1-410-396-41	FERRITE 0.45 μ H
C652	1-106-351-00	MYLAR	0.0022 μ F 20%	200V	FB604	1-410-396-41	FERRITE 0.45 μ H
C653	1-107-636-11	ELECT	10 μ F 20%	160V	FB641	1-410-397-21	FERRITE 1.1 μ H
C654	1-164-625-11	CERAMIC	680pF 10%	500V	FB642	1-410-397-21	FERRITE 1.1 μ H
C655	1-164-625-11	CERAMIC	680pF 10%	500V	FB645	1-410-397-21	FERRITE 1.1 μ H
C656	1-164-625-11	CERAMIC	680pF 10%	500V	FB647	1-410-397-21	FERRITE 1.1 μ H
C657	1-164-625-11	CERAMIC	680pF 10%	500V	IC		
C660	1-126-767-11	ELECT	1000 μ F 20%	16V	IC601	Δ 8-729-041-12	TRANSISTOR MX0841AB-F
C690	1-164-645-11	CERAMIC	1000pF 10%	500V	IC622	8-759-450-47	IC BA05T
C691	1-164-645-11	CERAMIC	1000pF 10%	500V	IC641	8-759-198-03	IC PQ09RF21
CONNECTOR				IC643	8-749-012-13	IC DM-58	
CN601	1-573-963-11	PIN,CONNECTOR(PC BOARD) 3P (KV-35S42/S66/V42 ONLY)		COIL			
CN602	1-580-844-11	PIN,CONNECTOR(POWER)		L642	1-412-529-11	INDUCTOR 22 μ H	
CN603	1-573-963-11	PIN, CONNECTOR(PC BOARD) 3P (KV-35S42/S66/V42 ONLY)		TRANSISTOR			
CN604	1-508-765-00	PIN, CONNECTOR (5MM PITCH) 3P (KV-32S42/S66/V42 ONLY)		Q621	Δ 8-729-044-30	TRANSISTOR 2SK2845-LB102	
CN641	1-564-515-11	PLUG,CONNECTOR 12P		Q622	Δ 8-729-119-78	TRANSISTOR 2SC2785-HFE	
CN643	1-508-784-00	PIN,CONNECTOR(5MM PITCH) 1P		Q644	8-729-119-78	TRANSISTOR 2SC2785-HFE	
DIODE				Q645	8-729-119-76	TRANSISTOR 2SA1175-HFE	
D600	8-719-991-33	DIODE	1SS133T-77	Q646	8-729-119-76	TRANSISTOR 2SA1175-HFE	
D601	8-719-991-33	DIODE	1SS133T-77	Q647	8-729-119-78	TRANSISTOR 2SC2785-HFE	
D602	Δ 8-719-510-53	DIODE	D4SB60L	Q648	Δ 8-729-922-39	TRANSISTOR 2SD2144S-V	
D603	8-719-052-90	DIODE	D1NL40-TA2	RESISTOR			
D604	8-719-052-90	DIODE	D1NL40-TA2	R603	Δ 1-219-776-11	CARBON 2.2M 10% 1/2W	
D612	8-719-991-33	DIODE	1SS133T-77	R607	Δ 1-202-933-61	FUSIBLE 0.1 10% 1/2W F	
D613	8-719-991-33	DIODE	1SS133T-77	R608	1-216-373-11	METAL 2.2 5% 2W F	
D614	8-719-991-33	DIODE	1SS133T-77	R611	1-216-373-11	METAL 2.2 5% 2W F	
D621	8-719-911-55	DIODE	U05G	R612	1-215-903-11	METAL 68K 5% 2W F	

Note:

The components identified by shading and mark Δ are critical for safety. Replace only with part number specified.

Note:

Les composants identifiés par un trame et une marque Δ sont critiques pour la sécurité. Ne les remplacer que par une pièce portant le numéro spécifié.

**Complete Parts Listing**

REFNO.	PARTNO.	DESCRIPTION	REMARK
R613	1-215-903-11	METAL 68K	5% 2W F
R614	1-215-903-11	METAL 68K	5% 2W F
R615	1-215-903-11	METAL 68K	5% 2W F
R618	1-249-425-11	CARBON 4.7K	5% 1/4W
R619	1-249-425-11	CARBON 4.7K	5% 1/4W
R620	1-249-425-11	CARBON 4.7K	5% 1/4W
R621	1-249-429-11	CARBON 10K	5% 1/4W
R622	1-247-863-91	CARBON 22K	5% 1/4W
R623	Δ 1-205-943-11	CEMENTED 1	5% 20W
R624	1-260-131-11	CARBON 470K	5% 1/2W
R625	1-260-131-11	CARBON 470K	5% 1/2W
R626	1-249-425-11	CARBON 4.7K	5% 1/4W
R627	Δ 1-220-797-11	CEMENTED 0.47	5% 10W
R628	1-240-205-91	CARBON 22M	5% 1/2W
R629	Δ 1-220-797-11	CEMENTED 0.47	5% 10W
R632	1-249-421-11	CARBON 2.2K	5% 1/4W
R633	1-249-429-11	CARBON 10K	5% 1/4W
R634	1-249-437-11	CARBON 47K	5% 1/4W
R635	1-247-791-91	CARBON 22	5% 1/4W
R636	1-249-415-11	CARBON 680	5% 1/4W
R637	Δ 1-260-302-51	CARBON 6.8	5% 1/2W
R638	1-249-413-11	CARBON 470	5% 1/4W
R639	Δ 1-249-389-11	CARBON 4.7	5% 1/4W F
R640	1-215-485-00	METAL 470K	1% 1/4W
R640	1-247-895-91	CARBON 470K	5% 1/4W
R641	1-247-843-11	CARBON 3.3K	5% 1/4W
R642	1-247-843-11	CARBON 3.3K	5% 1/4W
R643	1-249-387-11	CARBON 3.3	5% 1/4W F
R648	1-247-887-00	CARBON 220K	5% 1/4W
R649	1-249-425-11	CARBON 4.7K	5% 1/4W F
R659	1-249-429-11	CARBON 10K	5% 1/4W
R660	Δ 1-249-393-11	CARBON 10	5% 1/4W F
R661	Δ 1-249-419-11	CARBON 1.5K	5% 1/4W F
R666	Δ 1-249-377-11	CARBON 0.47	5% 1/4W F
R667	Δ 1-249-377-11	CARBON 0.47	5% 1/4W F
R668	Δ 1-249-377-11	CARBON 0.47	5% 1/4W F
R670	Δ 1-249-377-11	CARBON 0.47	5% 1/4W F
R671	Δ 1-249-377-11	CARBON 0.47	5% 1/4W F
R672	Δ 1-249-377-11	CARBON 0.47	5% 1/4W F

RELAY

RY600	Δ 1-755-266-11	RELAY, AC POWER
RY601	Δ 1-755-146-11	RELAY, AC POWER

TRANSFORMER

T601	Δ 1-426-717-11	TRANSFORMER, LINE FILTER (LFT)
T602	Δ 1-426-717-11	TRANSFORMER, LINE FILTER (LFT)
T603	Δ 1-429-992-21	TRANSFORMER, CONVERTER (PRT)
T605	Δ 1-429-415-11	TRANSFORMER, CONVERTER (PIT)
T621	Δ 1-431-852-11	TRANSFORMER, CONVERTER (SRT)

THERMISTOR

THP601	Δ 1-809-539-11	THERMISTOR, POSITIVE
--------	-----------------------	----------------------

REFNO.	PARTNO.	DESCRIPTION	REMARK
VARISTOR			
VDR601	Δ 1-801-074-41	VARISTOR ERZV10D271	
VDR602	Δ 1-801-074-41	VARISTOR ERZV10D271	

HS

- * A-1372-507-A HS BOARD, COMPLETE (KV-35S42/35S66 ONLY)
- * A-1372-510-A HS BOARD, COMPLETE (KV-32V42/35V42 ONLY)
- * A-1372-519-A HS BOARD, COMPLETE (KV-32S66 ONLY)

CAPACITOR

C2168	1-104-665-11	ELECT 100 μ F	20% 25V (KV-32S66 ONLY)
C2169	1-126-959-11	ELECT 0.47 μ F	20% 50V (KV-32S66 ONLY)
C2170	1-164-096-11	CERAMIC 0.01 μ F	50V (KV-32S66 ONLY)

CONNECTOR

CN2101	* 1-564-524-11	PLUG,CONNECTOR 9P
CN2102	* 1-564-523-11	PLUG,CONNECTOR 8P (KV-32V42/S66/35V42 ONLY)

DIODE

D2106	1-810-039-11	LED UNIT (KV-32S66 ONLY)
-------	--------------	--------------------------

IC

IC2103	8-742-134-00	HYB IC SBX1981-51P (KV-32S66 ONLY)
--------	--------------	------------------------------------

RESISTOR

R2109	1-216-033-00	RES,CHIP 220	5% 1/10W (KV-32S66 ONLY)
R2110	1-216-033-00	RES,CHIP 220	5% 1/10W (KV-32S66 ONLY)
R2159	1-216-047-91	RES,CHIP 820	5% 1/10W (KV-32S66 ONLY)
R2160	1-216-049-91	RES,CHIP 1K	5% 1/10W (KV-32S66 ONLY)
R2161	1-216-055-00	RES,CHIP 1.8K	5% 1/10W (KV-32S66 ONLY)
R2162	1-216-065-91	RES,CHIP 4.7K	5% 1/10W (KV-32S66 ONLY)
R2163	1-216-073-00	RES,CHIP 10K	5% 1/10W (KV-32S66 ONLY)
R2164	1-216-017-91	RES,CHIP 47	5% 1/10W (KV-32S66 ONLY)

SWITCH

S2101	1-692-431-21	SWITCH,TACTILE (KV-32S66 ONLY)
S2102	1-692-431-21	SWITCH,TACTILE (KV-32S66 ONLY)
S2103	1-692-431-21	SWITCH,TACTILE (KV-32S66 ONLY)
S2104	1-692-431-21	SWITCH,TACTILE (KV-32S66 ONLY)
S2105	1-692-431-21	SWITCH,TACTILE (KV-32S66 ONLY)



Complete Parts Listing

Note:

The components identified by shading and mark \triangle are critical for safety. Replace only with part number specified.

Note:

Les composants identifiés par un trame et une marque \triangle sont critiques pour la sécurité. Ne les remplacer que par une pièce portant le numéro spécifié.

REF.NO.	PART NO.	DESCRIPTION	REMARK
S2106	1-692-431-21	SWITCH,TACTILE (KV-32S66 ONLY)	
S2107	1-692-431-21	SWITCH,TACTILE (KV-32S66 ONLY)	

HV

- * A-1372-523-A HV BOARD, COMPLETE (KV-35S66/35S42 ONLY)
- * A-1372-684-A HV BOARD, COMPLETE (KV-32V42/35V42 ONLY)

CAPACITOR

C2068	1-104-665-11	ELECT	100 μ F	20%	25V
C2070	1-165-319-11	CERAMIC	0.1 μ F		50V
C2072	1-164-096-11	CERAMIC	0.01 μ F		50V
C2233	1-136-161-00	FILM	0.047 μ F	5%	50V
					(KV-32V42/35V42 ONLY)
C2234	1-126-960-11	ELECT	1 μ F	20%	50V
					(KV-32V42/35V42 ONLY)
C2235	1-126-960-12	ELECT	1 μ F	20%	50V
					(KV-32V42/35V42 ONLY)

CONNECTOR

CN2002 *	1-564-518-11	PLUG, CONNECTOR 3P			
					(KV-32V42/35V42 ONLY)

DIODE

D2006	1-810-039-11	LED UNIT			
D2236	8-719-110-17	RD10ESB2 (KV-32V42/35V42 ONLY)			

IC

IC2003	8-742-134-00	HYB IC SBX1981-51P			
--------	--------------	--------------------	--	--	--

JACK

J2231	1-691-110-11	JACK, PIN 3P (KV-32V42/35V42 ONLY)			
-------	--------------	------------------------------------	--	--	--

RESISTOR

R2003	1-216-017-91	RES,CHIP	47	5%	1/10W
R2009	1-216-033-00	RES,CHIP	220	5%	1/10W
R2010	1-216-033-00	RES,CHIP	220	5%	1/10W
R2059	1-216-047-91	RES,CHIP	820	5%	1/10W
					(KV-35S66/35S42 ONLY)
R2060	1-216-049-91	RES,CHIP	1K	5%	1/10W
					(KV-35S66/35S42 ONLY)
R2061	1-216-055-00	RES,CHIP	1.8K	5%	1/10W
					(KV-35S66/35S42 ONLY)
R2062	1-216-065-91	RES,CHIP	4.7K	5%	1/10W
					(KV-35S66/35S42 ONLY)
R2063	1-216-073-00	RES,CHIP	10K	5%	1/10W
					(KV-35S66/35S42 ONLY)
R2235	1-216-022-00	RES,CHIP	75	5%	1/10W
					(KV-32V42/35V42 ONLY)
R2236	1-216-113-00	RES,CHIP	470K	5%	1/10W
					(KV-32V42/35V42 ONLY)
R2237	1-216-065-91	RES,CHIP	4.7K	5%	1/10W
					(KV-32V42/35V42 ONLY)
R2238	1-216-113-00	RES,CHIP	470K	5%	1/10W
					(KV-32V42/35V42 ONLY)
R2239	1-216-065-91	RES,CHIP	4.7K	5%	1/10W

REF.NO.	PART NO.	DESCRIPTION	REMARK
---------	----------	-------------	--------

(KV-32V42/35V42 ONLY)

SWITCH

S2001	1-692-431-21	SWITCH, TACTILE (KV-32V42/35V42 ONLY)	
S2002	1-692-431-21	SWITCH, TACTILE (KV-32V42/35V42 ONLY)	
S2003	1-692-431-21	SWITCH, TACTILE (KV-32V42/35V42 ONLY)	
S2004	1-692-431-21	SWITCH, TACTILE (KV-32V42/35V42 ONLY)	
S2005	1-692-431-21	SWITCH, TACTILE (KV-32V42/35V42 ONLY)	
S2006	1-692-431-21	SWITCH, TACTILE (KV-32V42/35V42 ONLY)	
S2007	1-692-431-21	SWITCH, TACTILE (KV-32V42/35V42 ONLY)	

P

- * A-1195-154-A P BOARD, COMPLETE (KV-32S66/35S66 ONLY)

CAPACITOR

C3301	1-163-031-11	CERAMIC	0.01 μ F		50V
C3302	1-163-031-11	CERAMIC	0.01 μ F		50V
C3303	1-104-664-11	ELECT	47 μ F	20%	16V
C3304	1-163-031-11	CERAMIC	0.01 μ F		50V
C3305	1-163-135-00	CERAMIC	560pF	5%	50V
C3306	1-163-038-91	CERAMIC	0.1 μ F		25V
C3307	1-163-038-91	CERAMIC	0.1 μ F		25V
C3308	1-164-222-11	CERAMIC	0.22 μ F		25V
C3309	1-163-034-00	CERAMIC	0.033 μ F		50V
C3310	1-164-222-11	CERAMIC	0.22 μ F		25V
C3311	1-163-233-11	CERAMIC	18pF	5%	50V
C3314	1-163-031-11	CERAMIC	0.01 μ F		50V
C3315	1-163-031-11	CERAMIC	0.01 μ F		50V
C3316	1-163-133-00	CERAMIC	470pF	5%	50V
C3317	1-163-133-00	CERAMIC	470pF	5%	50V
C3319	1-163-133-00	CERAMIC	470pF	5%	50V
C3323	1-104-664-11	ELECT	47 μ F	20%	16V
C3324	1-163-031-11	CERAMIC	0.01 μ F		50V
C3325	1-163-031-11	CERAMIC	0.01 μ F		50V
C3326	1-104-664-11	ELECT	47 μ F	20%	16V
C3327	1-104-664-11	ELECT	47 μ F	20%	16V
C3328	1-104-664-11	ELECT	47 μ F	20%	16V
C3330	1-126-964-11	ELECT	10 μ F	20%	50V
C3334	1-164-005-11	CERAMIC	0.47 μ F		25V
C3335	1-163-009-11	CERAMIC	0.001 μ F	10%	50V
C3336	1-163-031-11	CERAMIC	0.01 μ F		50V
C3339	1-163-005-11	CERAMIC	470pF	10%	50V

CONNECTOR

CN3301 *	1-691-632-21	CONNECTOR,BOARD TO BOARD 15P			
----------	--------------	------------------------------	--	--	--

DIODE

D3301	8-719-073-01	DIODE	MA111-(K8),S0		
D3304	8-719-422-12	DIODE	MA8039		

IC

IC3301	8-759-599-43	IC	M65669FP-D61S		
--------	--------------	----	---------------	--	--

Note:

The components identified by shading and mark \triangle are critical for safety. Replace only with part number specified.

Note:

Les composants identifiés par un trame et une marque \triangle sont critiques pour la sécurité. Ne les remplacer que par une pièce portant le numéro spécifié.



Complete Parts Listing

REFNO.	PARTNO.	DESCRIPTION	REMARK	REFNO.	PARTNO.	DESCRIPTION	REMARK
COIL							
L3301	1-410-682-31	INDUCTOR 470 μ H		R3358	1-216-689-11	RES,CHIP 39K	5% 1/10W
L3302	1-412-058-11	INDUCTOR 10 μ H		R3359	1-216-113-00	RES,CHIP 470K	5% 1/10W
L3303	1-412-058-11	INDUCTOR 10 μ H		R3360	1-216-051-00	RES,CHIP 1.2K	5% 1/10W
TRANSISTOR							
Q3304	8-729-216-22	TRANSISTOR 2SA1162-G		R3361	1-216-045-00	RES,CHIP 680	5% 1/10W
Q3305	8-729-216-22	TRANSISTOR 2SA1162-G		R3365	1-216-073-00	RES,CHIP 10K	5% 1/10W
Q3306	8-729-216-22	TRANSISTOR 2SA1162-G		R3366	1-216-049-91	RES,CHIP 1K	5% 1/10W
Q3309	8-729-422-27	TRANSISTOR 2SD601A-Q		R3367	1-216-073-00	RES,CHIP 10K	5% 1/10W
Q3310	8-729-422-27	TRANSISTOR 2SD601A-Q		R3368	1-216-049-91	RES,CHIP 1K	5% 1/10W
Q3311	8-729-111-55	TRANSISTOR 2SD1312-K		CRYSTAL			
Q3312	8-729-216-22	TRANSISTOR 2SA1162-G		X3301	1-781-377-11	OSCILLATOR,CRYSTAL	
Q3313	8-729-422-27	TRANSISTOR 2SD601A-Q		UV			
Q3314	8-729-422-27	TRANSISTOR 2SD601A-Q		* A-1394-910-A UV BOARD, COMPLETE (KV-32S66/35S66 ONLY)			
RESISTOR				* A-1394-905-A UV BOARD, COMPLETE (KV-32V42/35V42 ONLY)			
R3301	1-216-057-00	RES,CHIP 2.2K	5% 1/10W	CAPACITOR			
R3302	1-216-121-91	RES,CHIP 1M	5% 1/10W	C100	1-164-346-11	CERAMIC 1 μ F	16V (KV-32V42/35V42 ONLY)
R3303	1-216-057-00	RES,CHIP 2.2K	5% 1/10W	C101	1-165-319-11	CERAMIC 0.1 μ F	50V (KV-32V42/35V42 ONLY)
R3304	1-216-133-00	RES,CHIP 3.3M	5% 1/10W	C102	1-164-346-11	CERAMIC 1 μ F	16V (KV-32V42/35V42 ONLY)
R3305	1-216-037-00	RES,CHIP 330	5% 1/10W	C103	1-163-017-00	CERAMIC 0.0047 μ F	10% 50V (KV-32V42/35V42 ONLY)
R3308	1-216-085-00	RES,CHIP 33K	5% 1/10W	C104	1-164-005-11	CERAMIC 0.47 μ F	25V (KV-32V42/35V42 ONLY)
R3309	1-216-025-91	RES,CHIP 100	5% 1/10W	C105	1-164-005-11	CERAMIC 0.47 μ F	25V (KV-32V42/35V42 ONLY)
R3310	1-216-025-91	RES,CHIP 100	5% 1/10W	C150	1-126-956-91	ELECT 0.1 μ F	20% 50V
R3311	1-216-037-00	RES,CHIP 330	5% 1/10W	C153	1-163-017-00	CERAMIC 0.0047 μ F	10% 50V
R3312	1-216-043-91	RES,CHIP 560	5% 1/10W	C154	1-126-963-11	ELECT 4.7 μ F	20% 50V
R3313	1-216-035-00	RES,CHIP 270	5% 1/10W	C155	1-126-963-11	ELECT 4.7 μ F	20% 50V
R3316	1-216-295-91	SHORT		C156	1-126-963-11	ELECT 4.7 μ F	20% 50V
R3317	1-216-295-91	SHORT		C158	1-126-963-11	ELECT 4.7 μ F	20% 50V
R3318	1-216-061-00	RES,CHIP 3.3K	5% 1/10W	C160	1-126-964-11	ELECT 10 μ F	20% 50V
R3319	1-216-295-91	SHORT		C161	1-126-956-91	ELECT 0.1 μ F	20% 50V
R3328	1-216-295-91	SHORT		C162	1-163-017-00	CERAMIC 0.0047 μ F	10% 50V
R3329	1-216-033-00	RES,CHIP 220	5% 1/10W	C163	1-104-664-11	ELECT 47 μ F	20% 25V
R3333	1-216-049-91	RES,CHIP 1K	5% 1/10W	C164	1-165-319-11	CERAMIC 0.1 μ F	50V
R3334	1-216-049-91	RES,CHIP 1K	5% 1/10W	C165	1-126-964-11	ELECT 10 μ F	20% 50V
R3335	1-216-049-91	RES,CHIP 1K	5% 1/10W	C168	1-126-963-11	ELECT 4.7 μ F	20% 50V
R3336	1-216-295-91	SHORT		C171	1-126-941-11	ELECT 470 μ F	20% 25V
R3338	1-216-295-91	SHORT		C172	1-126-959-11	ELECT 0.47 μ F	20% 50V
R3340	1-216-295-91	SHORT		C173	1-126-959-11	ELECT 0.47 μ F	20% 50V
R3342	1-216-057-00	RES,CHIP 2.2K	5% 1/10W	C174	1-126-964-11	ELECT 10 μ F	20% 50V (KV-32V42/35V42 ONLY)
R3343	1-216-065-91	RES,CHIP 4.7K	5% 1/10W	C176	1-126-964-11	ELECT 10 μ F	20% 50V
R3344	1-216-073-00	RES,CHIP 10K	5% 1/10W	C177	1-126-964-11	ELECT 10 μ F	20% 50V
R3345	1-216-073-00	RES,CHIP 10K	5% 1/10W	C178	1-126-964-11	ELECT 10 μ F	20% 50V
R3346	1-216-295-91	SHORT		F			
R3347	1-216-049-91	RES,CHIP 1K	5% 1/10W				
R3348	1-216-049-91	RES,CHIP 1K	5% 1/10W				
R3349	1-215-857-11	METAL 10	5% 1W				
R3351	1-216-041-00	RES,CHIP 470	5% 1/10W				
R3352	1-216-295-91	SHORT					
R3353	1-216-295-91	SHORT					
R3357	1-216-041-00	RES,CHIP 470	5% 1/10W				

**Note:**

The components identified by shading and mark \triangle are critical for safety. Replace only with part number specified.

Note:

Les composants identifiés par un trame et une marque \triangle sont critiques pour la sécurité. Ne les remplacer que par une pièce portant le numéro spécifié.

Complete Parts Listing

REF.NO.	PART NO.	DESCRIPTION	REMARK	REF.NO.	PART NO.	DESCRIPTION	REMARK
		(KV-32V42/35V42 ONLY)					
C179	1-164-182-11	CERAMIC 0.0033 μ F	10% 50V	C261	1-136-161-00	FILM 0.047 μ F	5% 50V
		(KV-32V42/35V42 ONLY)				(KV-32S66/35S66 ONLY)	
C180	1-164-182-11	CERAMIC 0.0033 μ F	10% 50V	C262	1-104-664-11	ELECT 47 μ F	20% 25V
		(KV-32V42/35V42 ONLY)		C263	1-136-161-00	FILM 0.047 μ F	5% 50V
C181	1-163-989-11	CERAMIC 0.033 μ F	10% 25V	C264	1-126-941-11	ELECT 470 μ F	20% 25V
		(KV-32V42/35V42 ONLY)					
C182	1-163-989-11	CERAMIC 0.033 μ F	10% 25V	C266	1-126-960-11	ELECT 1 μ F	20% 50V
		(KV-32V42/35V42 ONLY)				(KV-32S66/35S66 ONLY)	
C183	1-163-227-11	CERAMIC 10pF	0.50% 50V	C267	1-126-960-11	ELECT 1 μ F	20% 50V
		(KV-32V42/35V42 ONLY)				(KV-32S66/35S66 ONLY)	
C184	1-163-227-11	CERAMIC 10pF	0.50% 50V	C270	1-126-960-11	ELECT 1 μ F	20% 50V
		(KV-32V42/35V42 ONLY)		C271	1-126-960-11	ELECT 1 μ F	20% 50V
C185	1-163-227-11	CERAMIC 10pF	0.50% 50V	C275	1-104-664-11	ELECT 47 μ F	20% 25V
		(KV-32V42/35V42 ONLY)		C276	1-163-251-11	CERAMIC 100pF	5% 50V
C187	1-126-964-11	ELECT 10 μ F	20% 50V				
		(KV-32V42/35V42 ONLY)		CONNECTOR			
C188	1-126-956-91	ELECT 0.1 μ F	20% 50V	CN261	1-691-632-21	CONNECTOR, BOARD TO BOARD 15P	
		(KV-32V42/35V42 ONLY)		CN262	1-573-301-21	CONNECTOR, BOARD TO BOARD 20P	
C189	1-126-956-91	ELECT 0.1 μ F	20% 50V	CN263	1-564-506-11	PLUG, CONNECTOR 3P	
		(KV-32V42/35V42 ONLY)		CN264	1-573-979-21	CONNECTOR, BOARD TO BOARD 11P	
C190	1-163-986-00	CERAMIC 0.027 μ F	10% 25V				
		(KV-32V42/35V42 ONLY)		DIODE			
C191	1-163-017-00	CERAMIC 0.0047 μ F	10% 50V	D100	8-719-981-99	DIODE MTZJ-3.3	
		(KV-32V42/35V42 ONLY)		D231	8-719-110-17	DIODE RD10ESB2	
C192	1-163-005-11	CERAMIC 470pF	10% 50V	D232	8-719-110-17	DIODE RD10ESB2	
		(KV-32V42/35V42 ONLY)		D233	8-719-110-17	DIODE RD10ESB2	
C193	1-165-319-11	CERAMIC 0.1 μ F	50V	D234	8-719-110-17	DIODE RD10ESB2	
		(KV-32V42/35V42 ONLY)		D235	8-719-110-17	DIODE RD10ESB2	
C194	1-163-023-00	CERAMIC 0.015 μ F	10% 50V	D236	8-719-110-17	DIODE RD10ESB2	
		(KV-32V42/35V42 ONLY)		D237	8-719-981-99	DIODE MTZJ-3.3 (KV-32V42/35V42 ONLY)	
C195	1-164-161-11	CERAMIC 0.0022 μ F	10% 50V	D238	8-719-981-99	DIODE MTZJ-3.3 (KV-32V42/35V42 ONLY)	
		(KV-32V42/35V42 ONLY)		D240	8-719-110-17	DIODE RD10ESB2	
C196	1-126-965-11	ELECT 22 μ F	20% 50V	D241	8-719-110-17	DIODE RD10ESB2	
		(KV-32V42/35V42 ONLY)		D242	8-719-110-17	DIODE RD10ESB2	
C197	1-165-319-11	CERAMIC 0.1 μ F	50V	D243	8-719-110-17	DIODE RD10ESB2	
		(KV-32V42/35V42 ONLY)		D244	8-719-110-17	DIODE RD10ESB2	
C198	1-126-960-11	ELECT 1 μ F	20% 50V	D264	8-719-110-17	DIODE RD10ESB2	
		(KV-32V42/35V42 ONLY)		D265	8-719-110-17	DIODE RD10ESB2	
C199	1-165-319-11	CERAMIC 0.1 μ F	50V	D902	8-719-110-17	DIODE RD10ESB2 (KV-32S66/35S66 ONLY)	
		(KV-32V42/35V42 ONLY)		IC			
C231	1-163-031-11	CERAMIC 0.01 μ F	50V	IC100	8-752-072-39	IC CXA2021S	
C232	1-136-161-00	FILM 0.047 μ F	5% 50V	IC101	8-759-100-96	IC NJM4558M-TE2	
C233	1-136-161-00	FILM 0.047 μ F	5% 50V	IC102	8-759-537-25	IC NJM2150M-TE2 (KV-32V42/35V42 ONLY)	
				IC103	8-759-537-26	IC TDA7467D013TR (KV-32V42/35V42 ONLY)	
C234	1-126-960-11	ELECT 1 μ F	20% 50V	IC261	8-759-534-81	IC MM1313AD/ (KV-32S66/35S66 ONLY)	
C235	1-126-960-11	ELECT 1 μ F	20% 50V	IC261	8-759-366-77	IC MM1311AD (KV-32V42/35V42 ONLY)	
C236	1-136-161-00	FILM 0.047 μ F	5% 50V				
C237	1-126-960-11	ELECT 1 μ F	20% 50V	JACK			
C238	1-126-960-11	ELECT 1 μ F	20% 50V	J231	1-750-515-11	TERMINAL BLOCK, S 3P	
C241	1-126-941-11	ELECT 470 μ F	20% 25V	J232	1-750-517-11	JACK BLOCK, PIN 3P	
		(KV-32V42/35V42 ONLY)		J233	1-750-516-11	JACK BLOCK, PIN 2P	
C242	1-126-959-11	ELECT 0.47 μ F	20% 50V	J234	1-750-517-11	JACK BLOCK, PIN 3P (KV-32V42/35V42 ONLY)	
		(KV-32V42/35V42 ONLY)		J902	1-764-143-11	JACK 3P (KV-32S66/35S66 ONLY)	
C244	1-126-959-11	ELECT 0.47 μ F	20% 50V	J903	1-764-143-11	JACK 3P (KV-32S66/35S66 ONLY)	
		(KV-32V42/35V42 ONLY)		J904	1-764-143-11	JACK 3P (KV-32S66/35S66 ONLY)	

Note:

The components identified by shading and mark \triangle are critical for safety. Replace only with part number specified.

Note:

Les composants identifiés par un triangle et une marque \triangle sont critiques pour la sécurité. Ne les remplacer que par une pièce portant le numéro spécifié.

**Complete Parts Listing**

REFNO.	PARTNO.	DESCRIPTION	REMARK	REFNO.	PARTNO.	DESCRIPTION	REMARK
CHIP CONDUCTOR							
JR101	1-216-295-91	SHORT		R109	1-216-089-91	RES,CHIP 47K	5% 1/10W
JR106	1-216-295-91	SHORT (KV-32V42/35V42 ONLY)		R110	1-216-089-91	RES,CHIP 47K	5% 1/10W
JR107	1-216-295-91	SHORT (KV-32V42/35V42 ONLY)		R111	1-216-025-91	RES,CHIP 100	5% 1/10W
JR109	1-216-295-91	SHORT		R112	1-216-121-91	RES,CHIP 1M	5% 1/10W
JR147	1-216-295-91	SHORT (KV-32S66/35S66 ONLY)		R113	1-216-081-00	RES,CHIP 22K	5% 1/10W
JR148	1-216-295-91	SHORT (KV-32S66/35S66 ONLY)				(KV-32V42/35V42 ONLY)	
JR201	1-216-295-91	SHORT		R114	1-216-081-00	RES,CHIP 22K	5% 1/10W
JR204	1-216-295-91	SHORT				(KV-32V42/35V42 ONLY)	
JR205	1-216-295-91	SHORT		R115	1-216-081-00	RES,CHIP 22K	5% 1/10W
JR269	1-216-295-91	SHORT				(KV-32V42/35V42 ONLY)	
JR270	1-216-295-91	SHORT		R116	1-216-081-00	RES,CHIP 22K	5% 1/10W
JR272	1-216-295-91	SHORT				(KV-32V42/35V42 ONLY)	
JR273	1-216-295-91	SHORT		R117	1-216-073-00	RES,CHIP 10K	5% 1/10W
JR274	1-216-295-91	SHORT				(KV-32V42/35V42 ONLY)	
JR276	1-216-295-91	SHORT		R118	1-216-073-00	RES,CHIP 10K	5% 1/10W
JR901	1-216-295-91	SHORT (KV-32S66/35S66 ONLY)				(KV-32V42/35V42 ONLY)	
JR902	1-216-295-91	SHORT (KV-32V42/35V42 ONLY)		R119	1-216-073-00	RES,CHIP 10K	5% 1/10W
JR903	1-216-295-91	SHORT (KV-32V42/35V42 ONLY)				(KV-32V42/35V42 ONLY)	
TRANSISTOR							
Q100	8-729-422-27	TRANSISTOR 2SD601A-Q		R124	1-216-033-00	RES,CHIP 220	5% 1/10W
Q101	8-729-422-27	TRANSISTOR 2SD601A-Q				(KV-32V42/35V42 ONLY)	
Q231	8-729-422-27	TRANSISTOR 2SD601A-Q		R125	1-216-033-00	RES,CHIP 220	5% 1/10W
		(KV-32V42/35V42 ONLY)				(KV-32V42/35V42 ONLY)	
Q233	8-729-422-27	TRANSISTOR 2SD601A-Q		R126	1-216-063-91	RES,CHIP 3.9K	5% 1/10W
		(KV-32V42/35V42 ONLY)				(KV-32V42/35V42 ONLY)	
Q234	8-729-422-27	TRANSISTOR 2SD601A-Q		R127	1-216-089-91	RES,CHIP 47K	5% 1/10W
		(KV-32V42/35V42 ONLY)				(KV-32V42/35V42 ONLY)	
Q238	8-729-216-22	TRANSISTOR 2SA1162-G		R128	1-216-085-00	RES,CHIP 33K	5% 1/10W
		(KV-32V42/35V42 ONLY)				(KV-32V42/35V42 ONLY)	
Q239	8-729-216-22	TRANSISTOR 2SA1162-G		R129	1-216-053-00	RES,CHIP 1.5K	5% 1/10W
		(KV-32V42/35V42 ONLY)				(KV-32V42/35V42 ONLY)	
Q237	8-729-216-22	TRANSISTOR 2SA1162-G		R130	1-216-100-00	RES,CHIP 130K	5% 1/10W
Q243	8-729-216-22	TRANSISTOR 2SA1162-G				(KV-32V42/35V42 ONLY)	
Q261	8-729-422-27	TRANSISTOR 2SD601A-Q		R131	1-216-049-91	RES,CHIP 1K	5% 1/10W
		(KV-32S66/35S66 ONLY)				(KV-32V42/35V42 ONLY)	
Q262	8-729-422-27	TRANSISTOR 2SD601A-Q		R132	1-216-088-00	RES,CHIP 43K	5% 1/10W
Q263	8-729-216-22	TRANSISTOR 2SA1162-G				(KV-32V42/35V42 ONLY)	
Q265	8-729-216-22	TRANSISTOR 2SA1162-G		R133	1-216-061-00	RES,CHIP 3.3K	5% 1/10W
RESISTOR							
R100	1-216-033-00	RES,CHIP 220	5% 1/10W	R134	1-216-061-00	RES,CHIP 3.3K	5% 1/10W
R101	1-216-033-00	RES,CHIP 220	5% 1/10W	R135	1-216-097-91	RES,CHIP 100K	5% 1/10W
R102	1-216-073-00	RES,CHIP 10K	5% 1/10W	R136	1-216-081-00	RES,CHIP 22K	5% 1/10W
R103	1-216-081-00	RES,CHIP 22K	5% 1/10W			(KV-32S66/35S66 ONLY)	
		(KV-32S66/35S66 ONLY)		R136	1-216-085-00	RES,CHIP 33K	5% 1/10W
R103	1-216-085-00	RES,CHIP 33K	5% 1/10W			(KV-32V42/35V42 ONLY)	
		(KV-32V42/35V42 ONLY)		R137	1-216-025-91	RES,CHIP 100	5% 1/10W
R104	1-216-089-91	RES,CHIP 47K	5% 1/10W	R201	1-216-065-91	RES,CHIP 4.7K	5% 1/10W
R105	1-216-089-91	RES,CHIP 47K	5% 1/10W			(KV-32V42/35V42 ONLY)	
R106	1-216-049-91	RES,CHIP 1K	5% 1/10W	R202	1-216-049-91	RES,CHIP 1K	5% 1/10W
R107	1-216-049-91	RES,CHIP 1K	5% 1/10W			(KV-32V42/35V42 ONLY)	
R108	1-216-073-00	RES,CHIP 10K	5% 1/10W	R203	1-216-069-00	RES,CHIP 6.8K	5% 1/10W
						(KV-32V42/35V42 ONLY)	
				R204	1-216-069-00	RES,CHIP 6.8K	5% 1/10W
						(KV-32V42/35V42 ONLY)	
				R212	1-249-440-11	CARBON 82K	5% 1/4W
				R213	1-216-065-91	RES,CHIP 4.7K	5% 1/10W



Complete Parts Listing

Note:

The components identified by shading and mark \triangle are critical for safety. Replace only with part number specified.

Note:

Les composants identifiés par un trame et une marque \triangle sont critiques pour la sécurité. Ne les remplacer que par une pièce portant le numéro spécifié.

REF.NO.	PART NO.	DESCRIPTION	REMARK	REF.NO.	PART NO.	DESCRIPTION	REMARK
		(KV-32V42/35V42 ONLY)					
R214	1-216-065-91	RES,CHIP 4.7K	5% 1/10W	R272	1-249-417-11	CARBON 1K	5% 1/4W
		(KV-32V42/35V42 ONLY)		R274	1-249-413-11	CARBON 470	5% 1/4W
R215	1-249-413-11	CARBON 470	5% 1/4W	R275	1-249-425-11	CARBON 4.7K	5% 1/4W
R216	1-216-025-91	RES,CHIP 100	5% 1/10W			(KV-32S66/35S66 ONLY)	
R217	1-216-025-91	RES,CHIP 100	5% 1/10W	R276	1-249-425-11	CARBON 4.7K	5% 1/4W
		(KV-32V42/35V42 ONLY)				(KV-32S66/35S66 ONLY)	
R218	1-216-025-91	RES,CHIP 100	5% 1/10W	R277	1-216-049-91	RES,CHIP 1K	5% 1/10W
		(KV-32V42/35V42 ONLY)		R279	1-216-025-91	RES,CHIP 100	5% 1/10W
R228	1-216-033-00	RES,CHIP 220	5% 1/10W	R280	1-216-033-00	RES,CHIP 220	5% 1/10W
R229	1-216-025-91	RES,CHIP 100	5% 1/10W	R281	1-216-033-00	RES,CHIP 220	5% 1/10W
R230	1-216-033-00	RES,CHIP 220	5% 1/10W	R282	1-216-025-91	RES,CHIP 100	5% 1/10W
R231	1-216-022-00	RES,CHIP 75	5% 1/10W	R283	1-216-025-91	RES,CHIP 100	5% 1/10W
R232	1-216-022-00	RES,CHIP 75	5% 1/10W	R284	1-216-065-91	RES,CHIP 4.7K	5% 1/10W
R233	1-216-065-91	RES,CHIP 4.7K	5% 1/10W	R285	1-216-065-91	RES,CHIP 4.7K	5% 1/10W
R234	1-216-022-00	RES,CHIP 75	5% 1/10W	R286	1-216-049-91	RES,CHIP 1K	5% 1/10W
R235	1-216-113-00	RES,CHIP 470K	5% 1/10W	R288	1-247-815-91	CARBON 220	5% 1/4W
		(KV-32V42/35V42 ONLY)				(KV-32V42/35V42 ONLY)	
R236	1-216-065-91	RES,CHIP 4.7K	5% 1/10W	R289	1-247-815-91	CARBON 220	5% 1/4W
R237	1-216-113-00	RES,CHIP 470K	5% 1/10W			(KV-32V42/35V42 ONLY)	
R238	1-216-065-91	RES,CHIP 4.7K	5% 1/10W	R290	1-247-815-91	CARBON 220	5% 1/4W
R239	1-216-022-00	RES,CHIP 75	5% 1/10W			(KV-32V42/35V42 ONLY)	
R240	1-216-113-00	RES,CHIP 470K	5% 1/10W	R291	1-216-025-91	RES,CHIP 100	5% 1/10W
		(KV-32V42/35V42 ONLY)		R292	1-216-025-91	RES,CHIP 100	5% 1/10W
R241	1-216-065-91	RES,CHIP 4.7K	5% 1/10W			(KV-32V42/35V42 ONLY)	
R242	1-216-113-00	RES,CHIP 470K	5% 1/10W	R293	1-216-025-91	RES,CHIP 100	5% 1/10W
R243	1-216-065-91	RES,CHIP 4.7K	5% 1/10W			(KV-32S66/35S66 ONLY)	
R244	1-216-113-00	RES,CHIP 470K	5% 1/10W	R294	1-216-049-91	RES,CHIP 1K	5% 1/10W
R245	1-249-417-11	CARBON 1K	5% 1/4W			(KV-32S66/35S66 ONLY)	
		(KV-32V42/35V42 ONLY)		R902	1-249-405-11	CARBON 100	5% 1/4W
R246	1-216-113-00	RES,CHIP 470K	5% 1/10W	R919	1-216-295-91	SHORT (KV-32S66/35S66 ONLY)	F
R247	1-249-417-11	CARBON 1K	5% 1/4W	R920	1-249-405-11	CARBON 100	5% 1/4W
R248	1-216-021-00	RES,CHIP 68	5% 1/10W	R921	1-249-405-11	CARBON 100	5% 1/4W
		(KV-32V42/35V42 ONLY)		R922	1-216-049-91	RES,CHIP 1K	5% 1/10W
R249	1-216-113-00	RES,CHIP 470K	5% 1/10W			(KV-32S66/35S66 ONLY)	
		(KV-32V42/35V42 ONLY)		R923	1-216-049-91	RES,CHIP 1K	5% 1/10W
R250	1-216-113-00	RES,CHIP 470K	5% 1/10W			(KV-32S66/35S66 ONLY)	
		(KV-32V42/35V42 ONLY)					
R251	1-216-113-00	RES,CHIP 470K	5% 1/10W				
		(KV-32V42/35V42 ONLY)					
R256	1-216-069-00	RES,CHIP 6.8K	5% 1/10W				
		(KV-32V42/35V42 ONLY)					
R259	1-216-065-91	RES,CHIP 4.7K	5% 1/10W				
		(KV-32V42/35V42 ONLY)					
R261	1-216-009-91	RES,CHIP 22	5% 1/10W				
		(KV-32S66/35S66 ONLY)					
R264	1-247-815-91	CARBON 220	5% 1/4W				
R265	1-247-815-91	CARBON 220	5% 1/4W				
R266	1-216-295-91	SHORT (KV-32S66/35S66 ONLY)					
R267	1-249-415-11	CARBON 680	5% 1/4W				
		(KV-32S66/35S66 ONLY)					
R268	1-216-025-91	RES,CHIP 100	5% 1/10W				
R269	1-216-025-91	RES,CHIP 100	5% 1/10W				
R270	1-216-041-00	RES,CHIP 470	5% 1/10W				
R271	1-249-415-11	CARBON 680	5% 1/4W				

* A-1372-462-A WA BOARD, COMPLETE
(KV-35S42/35S66/35V42 ONLY)
4-382-854-11 SCREW (M3X10), P, SW (+)

CAPACITOR

C941	1-126-935-11	ELECT 470 μ F	20% 16V
C944	1-163-021-91	CERAMIC 0.01 μ F	10% 50V
C945	1-163-001-11	CERAMIC 220pF	10% 50V
C946	1-126-933-11	ELECT 100 μ F	20% 16V
C949	1-161-830-00	CERAMIC 0.0047 μ F	500V
C950	1-126-933-11	ELECT 100 μ F	20% 16V
C951	1-107-638-11	ELECT 33 μ F	20% 160V
C952	1-104-999-11	MYLAR 0.1 μ F	10% 200V
C953	1-106-383-00	MYLAR 0.047 μ F	10% 200V
C954	1-130-471-00	FILM 0.001 μ F	5% 50V

Note:

The components identified by shading and mark \triangle are critical for safety. Replace only with part number specified.

Note:

Les composants identifiés par un triangle et une marque \triangle sont critiques pour la sécurité. Ne les remplacer que par une pièce portant le numéro spécifié.

**Complete Parts Listing**

REFNO.	PARTNO.	DESCRIPTION	REMARK	REFNO.	PARTNO.	DESCRIPTION	REMARK
C955	1-107-667-11	ELECT	2.2 μ F 20% 160V	R955	1-216-047-91	RES,CHIP 820	5% 1/10W
C956	1-130-471-00	FILM	0.001 μ F 5% 50V	R956	1-216-295-91	SHORT	
C957	1-106-383-00	MYLAR	0.047 μ F 10% 200V	R957	1-216-073-00	RES,CHIP 10K	5% 1/10W
C958	1-126-933-11	ELECT	100 μ F 20% 16V	R958	1-216-295-91	SHORT	
C961	1-163-251-11	CERAMIC	100pF 5% 50V	R959	1-216-021-00	RES,CHIP 68	5% 1/10W
C962	1-163-021-91	CERAMIC	0.01 μ F 10% 50V	R960	1-216-689-11	RES,CHIP 39K	5% 1/10W
C965	1-163-035-00	CERAMIC	0.047 μ F 50V	R961	1-216-073-00	RES,CHIP 10K	5% 1/10W
C966	1-163-009-11	CERAMIC	0.001 μ F 10% 50V	R962	1-216-057-00	RES,CHIP 2.2K	5% 1/10W
C967	1-129-718-00	FILM	0.022 μ F 5% 630V	R963	1-216-097-91	RES,CHIP 100K	5% 1/10W
C968	1-137-579-11	FILM	0.068 μ F 5% 100V	R964	1-216-073-00	RES,CHIP 10K	5% 1/10W
C969	1-163-035-00	CERAMIC	0.047 μ F 50V	R965	1-216-073-00	RES,CHIP 10K	5% 1/10W
C981	1-126-941-11	ELECT	470 μ F 20% 25V	R966	1-216-097-91	RES,CHIP 100K	5% 1/10W
C983	1-137-366-11	FILM	0.0022 μ F 5% 50V	R967	1-216-065-91	RES,CHIP 4.7K	5% 1/10W
CONNECTOR				R968	1-216-083-00	RES,CHIP 27K	5% 1/10W
CN941	1-564-511-11	PLUG, CONNECTOR 8P		R969	1-216-295-91	SHORT	
CN961	1-770-723-11	CONNECTOR, BOARD TO BOARD 8P		R970	1-216-033-00	RES,CHIP 220	5% 1/10W
CN981	1-564-506-11	PLUG, CONNECTOR 3P		R971	1-247-899-11	CARBON 680K	5% 1/4W
DIODE				R972	1-216-073-00	RES,CHIP 10K	5% 1/10W
D941	8-719-991-33	DIODE	1SS133T-77	R973	1-216-121-91	RES,CHIP 1M	5% 1/10W
D946	8-719-110-88	DIODE	RD39ESB2	R974	1-216-073-00	RES,CHIP 10K	5% 1/10W
D947	8-719-110-88	DIODE	RD39ESB2	R975	\triangle 1-216-446-00	METAL 18	5% 2W F
D961	8-719-109-89	DIODE	RD5.6ESB2	R976	\triangle 1-216-423-11	METAL 27	5% 1W F
D962	8-719-991-33	DIODE	1SS133T-77	R979	1-216-017-91	RES,CHIP 47	5% 1/10W
D964	8-719-302-43	DIODE	EL1Z	R981	1-216-081-00	RES,CHIP 22K	5% 1/10W
IC				R982	1-216-081-00	RES,CHIP 22K	5% 1/10W
IC961	8-759-700-07	IC	NJM2903M	R983	1-216-081-00	RES,CHIP 22K	5% 1/10W
IC981	8-759-603-37	IC	M5216P	R984	1-216-081-00	RES,CHIP 22K	5% 1/10W
COIL				R987	1-216-049-91	RES,CHIP 1K	5% 1/10W
L942	1-215-863-11	METAL	100 5% 1W F	R988	1-216-295-91	SHORT	
L962	1-406-989-21	INDUCTOR	10 μ H	R989	1-216-304-11	RES,CHIP 3.3	5% 1/10W
L963	1-406-675-11	INDUCTOR	4.7 μ H	R992	1-216-073-00	RES,CHIP 10K	5% 1/10W
TRANSISTOR				R1941	1-260-311-51	CARBON 39	5% 1/2W
Q943	8-729-422-27	TRANSISTOR	2SD601A-Q	R1942	1-249-384-11	CARBON 1.8	5% 1/4W F
Q944	8-729-422-27	TRANSISTOR	2SD601A-Q	R1943	1-249-414-11	CARBON 560	5% 1/4W F
Q945	8-729-422-27	TRANSISTOR	2SD601A-Q	R1944	1-249-432-11	CARBON 18K	5% 1/4W
Q946	8-729-017-05	TRANSISTOR	2SA1837	R1945	1-216-476-11	METAL 180	5% 3W F
Q947	8-729-017-06	TRANSISTOR	2SC4793	R1946	1-249-417-11	CARBON 1K	5% 1/4W F
Q962	8-729-931-45	TRANSISTOR	IRF614	R1947	1-249-432-11	CARBON 18K	5% 1/4W
Q963	8-729-216-22	TRANSISTOR	2SA1162-G	R1948	1-249-414-11	CARBON 560	5% 1/4W
Q965	8-729-422-27	TRANSISTOR	2SD601A-Q	R1949	1-249-384-11	CARBON 1.8	5% 1/4W F
Q966	8-729-216-22	TRANSISTOR	2SA1162-G	R1950	1-249-400-11	CARBON 39	5% 1/4W F
Q981	8-729-422-27	TRANSISTOR	2SD601A-Q	<div style="border: 1px solid black; padding: 5px; display: inline-block; margin-bottom: 10px;">WB</div> <p>* A-1372-508-A WB BOARD, COMPLETE (KV-32S42/32S66/32V42 ONLY)</p> <p>4-382-854-11 SCREW (M3X10), P, SW (+)</p> <p>CAPACITOR</p> <p>C2941 1-126-935-11 ELECT 470μF 20% 16V</p> <p>C2944 1-163-021-91 CERAMIC 0.01μF 10% 50V</p> <p>C2946 1-126-933-11 ELECT 100μF 20% 16V</p>			
R943	1-216-025-91	RES,CHIP	100 5% 1/10W				
R948	1-216-049-91	RES,CHIP	1K 5% 1/10W				
R949	1-216-049-91	RES,CHIP	1K 5% 1/10W				
R950	1-216-049-91	RES,CHIP	1K 5% 1/10W				
R951	1-216-049-91	RES,CHIP	1K 5% 1/10W				
R952	1-216-037-00	RES,CHIP	330 5% 1/10W				
R953	1-216-021-00	RES,CHIP	68 5% 1/10W				
R954	1-216-033-00	RES,CHIP	220 5% 1/10W				

WB

* A-1372-508-A **WB BOARD, COMPLETE**
(KV-32S42/32S66/32V42 ONLY)

4-382-854-11 SCREW (M3X10), P, SW (+)

CAPACITOR

C2941	1-126-935-11	ELECT	470 μ F 20% 16V
C2944	1-163-021-91	CERAMIC	0.01 μ F 10% 50V
C2946	1-126-933-11	ELECT	100 μ F 20% 16V



Complete Parts Listing

Note:

The components identified by shading and mark \triangle are critical for safety. Replace only with part number specified.

Note:

Les composants identifiés par un trame et une marque \triangle sont critiques pour la sécurité. Ne les remplacer que par une pièce portant le numéro spécifié.

REF.NO.	PART NO.	DESCRIPTION	REMARK	REF.NO.	PART NO.	DESCRIPTION	REMARK
C2949	1-161-830-00	CERAMIC	0.0047 μ F	500V	R4947	1-249-432-11	CARBON 18K 5% 1/4W
C2950	1-126-933-11	ELECT	100 μ F	20% 16V	R4948	1-249-414-11	CARBON 560 5% 1/4W
C2951	1-107-638-11	ELECT	33 μ F	20% 160V	R4949	1-249-384-11	CARBON 1.8 5% 1/4W F
C2952	1-104-999-11	MYLAR	0.1 μ F	10% 200V	R4950	1-249-400-11	CARBON 39 5% 1/4W F
C2953	1-106-383-00	MYLAR	0.047 μ F	10% 200V			
C2954	1-130-471-00	FILM	0.001 μ F	5% 50V			
C2955	1-107-667-11	ELECT	2.2 μ F	20% 160V			
C2956	1-130-471-00	FILM	0.001 μ F	5% 50V			
C2957	1-106-383-00	MYLAR	0.047 μ F	10% 200V			
C2958	1-126-933-11	ELECT	100 μ F	20% 16V			
C2975	1-163-001-11	CERAMIC	220pF	10% 50V			
CONNECTOR							
CN2941 *	1-564-508-11	PLUG, CONNECTOR 5P					
DIODE							
D2941	8-719-991-33	DIODE	1SS133T-77				
D2946	8-719-110-88	DIODE	RD39ESB2				
D2947	8-719-110-88	DIODE	RD39ESB2				
COIL							
L2942	1-215-863-11	METAL	100	5% 1W	F		
TRANSISTOR							
Q2943	8-729-422-27	TRANSISTOR	2SD601A-Q				
Q2944	8-729-422-27	TRANSISTOR	2SD601A-Q				
Q2945	8-729-422-27	TRANSISTOR	2SD601A-Q				
Q2946	8-729-017-05	TRANSISTOR	2SA1837				
Q2947	8-729-017-06	TRANSISTOR	2SC4793				
Q2965	8-729-422-27	TRANSISTOR	2SD601A-Q				
Q2966	8-729-216-22	TRANSISTOR	2SA1162-G				
RESISTOR							
R2943	1-216-025-91	RES,CHIP	100	5%	1/10W		
R2948	1-216-049-91	RES,CHIP	1K	5%	1/10W		
R2949	1-216-049-91	RES,CHIP	1K	5%	1/10W		
R2950	1-216-049-91	RES,CHIP	1K	5%	1/10W		
R2951	1-216-049-91	RES,CHIP	1K	5%	1/10W		
R2952	1-216-037-00	RES,CHIP	330	5%	1/10W		
R2953	1-216-021-00	RES,CHIP	68	5%	1/10W		
R2954	1-216-033-00	RES,CHIP	220	5%	1/10W		
R2955	1-216-047-91	RES,CHIP	820	5%	1/10W		
R2956	1-216-295-91	SHORT					
R2957	1-216-073-00	RES,CHIP	10K	5%	1/10W		
R2958	1-216-295-91	SHORT					
R2959	1-216-021-00	RES,CHIP	68	5%	1/10W		
R2979	1-216-017-91	RES,CHIP	47	5%	1/10W		
R4941	1-260-311-51	CARBON	39	5%	1/2W		
R4942	1-249-384-11	CARBON	1.8	5%	1/4W	F	
R4943	1-249-414-11	CARBON	560	5%	1/4W	F	
R4944	1-249-432-11	CARBON	18K	5%	1/4W		
R4945	1-216-476-11	METAL	180	5%	3W	F	
R4946	1-249-417-11	CARBON	1K	5%	1/4W	F	
ACCESSORIES & PACKING							
*	4-041-259-01	BAG, PROTECTION					
		(KV-32S42/32S66/32V42 ONLY)					
*	4-053-658-01	BAG, PROTECTION					
		(KV-35S42/35S66/35V42 ONLY)					
*	4-053-276-03	CARTON, INDIVIDUAL					
		(KV-35V42 ONLY)					
*	4-054-073-14	CARTON, INDIVIDUAL					
		(KV-32V42 ONLY)					
*	4-056-782-01	CARTON, INDIVIDUAL					
		(KV-35S42/35S66 ONLY)					
*	4-063-179-01	CARTON, INDIVIDUAL					
		(KV-32S42/32S66 ONLY)					
*	4-054-070-04	CUSHION, LOWER ASSY					
		(KV-32V42 ONLY)					
*	4-056-784-01	CUSHION, LOWER ASSY					
		(KV-35S42/35S66 ONLY)					
*	4-063-181-01	CUSHION, LOWER ASSY					
		(KV-32S42/32S66 ONLY)					
*	4-067-388-01	CUSHION, LOWER ASSY					
		(KV-35V42 ONLY)					
*	4-054-067-02	CUSHION, UPPER ASSY					
		(KV-32V42 ONLY)					
*	4-056-783-01	CUSHION, UPPER ASSY					
		(KV-35S42/35S66 ONLY)					
*	4-063-180-01	CUSHION, UPPER ASSY					
		(KV-32S42/32S66 ONLY)					
*	4-067-387-01	CUSHION, UPPER ASSY					
		(KV-35V42 ONLY)					
3-866-793-21	MANUAL, INSTRUCTION						
		(KV-32S42/32S66/32V42/35S42/35S66/35V42 ONLY)					
3-866-793-31	MANUAL, INSTRUCTION						
		(KV-32S42CND/32S66CND/35S42CND/35S66CND ONLY)					
REMOTE COMMANDER							
1-418-387-11	REMOTE COMMANDER (RM-Y168)						
		(KV-32S42/32V42/35S42/35V42 ONLY)					
4-978-977-01	BATTERY COVER FOR RM-Y168						
		(KV-32S42/32V42/35S42/35V42 ONLY)					
1-418-384-11	REMOTE COMMANDER (RM-Y169)						
		(KV-32S66/35S66 ONLY)					
4-978-977-01	BATTERY COVER FOR RM-Y169						
		(KV-32S66/35S66 ONLY)					

9-965-873-01

Sony Corporation
Sony Technology Center
Product Quality Division
Service Promotion Department

English
99GS74386-1
Printed in U.S.A.
© 1999.7